

Features

- Ultra High Efficiency (Up to 92%)
- Active Power Factor Correction (0.99 Typical)
- Constant Current Output
- Lightning Protection
- All-Round Protection: SCP, OTP, OVP
- Waterproof (IP67)
- Comply With UL8750 & EN61347 Safety Regulations



Description

The EUC-150SxxxST Series operate from a 90 ~ 305 Vac input range. These units will provide up to a 5.95 A of output current and a maximum output voltage of 428 V for 150 W maximum output power. They are designed to be highly efficient and highly reliable. The standard features include lightning protection, over voltage protection, short circuit protection, and over temperature protection.

Models

Output Current	Input Voltage	Max. Output Voltage	Max. Output Power	Typical Efficiency (1)	Power Factor		Model Number (2)
					110Vac	220Vac	
350 mA	90 ~ 305 Vac	428 Vdc	150 W	92%	0.99	0.96	EUC-150S035ST
450 mA	90 ~ 305 Vac	333 Vdc	150 W	92%	0.99	0.96	EUC-150S045ST
700 mA	90 ~ 305 Vac	214 Vdc	150 W	92%	0.99	0.96	EUC-150S070ST ☆
1050 mA	90 ~ 305 Vac	142 Vdc	150 W	92%	0.99	0.96	EUC-150S105ST ☆
1400 mA	90 ~ 305 Vac	107 Vdc	150 W	91%	0.99	0.96	EUC-150S140ST
1750 mA	90 ~ 305 Vac	85 Vdc	150 W	91%	0.99	0.96	EUC-150S175ST
2100 mA	90 ~ 305 Vac	71 Vdc	150 W	91%	0.99	0.96	EUC-150S210ST
2450 mA	90 ~ 305 Vac	61 Vdc	150 W	91%	0.99	0.96	EUC-150S245ST ☆
2800 mA	90 ~ 305 Vac	53 Vdc	150 W	91%	0.99	0.96	EUC-150S280ST
3150 mA	90 ~ 305 Vac	47 Vdc	150 W	91%	0.99	0.96	EUC-150S315ST
3500 mA	90 ~ 305 Vac	42 Vdc	150 W	91%	0.99	0.96	EUC-150S350ST ☆
4200 mA	90 ~ 305 Vac	35 Vdc	150 W	90%	0.99	0.96	EUC-150S420ST
4900 mA	90 ~ 305 Vac	30 Vdc	150 W	90%	0.99	0.96	EUC-150S490ST
5950 mA	90 ~ 305 Vac	25 Vdc	150 W	90%	0.99	0.96	EUC-150S595ST

- Notes:**
- (1) Measured at full load and 220 Vac input.
 - (2) A suffix –xxx may be added to denote variations or modifications to the base product, where x can be any alphanumeric character or blank.
 - (3) The two models have passed UL8750 Safety Standard.
 - (4) ☆: Popular model.

Input Specifications

Parameter	Min.	Typ.	Max.	Notes
Input Voltage	90 V	-	305 V	
Input Frequency	47 Hz	-	63 Hz	
Leakage Current	-	-	1 mA	At 277Vac 50Hz input
Input AC Current	-	-	1.8 A	Measured at full load and 100 Vac input.
	-	-	0.9 A	Measured at full load and 220 Vac input.
Inrush Current	-	-	65 A	At 230Vac input 25°C Cold Start

Output Specifications

Parameter	Min.	Typ.	Max.	Notes
Output Current Range				
$I_o = 350$ mA	332 mA	350 mA	368 mA	
$I_o = 450$ mA	427 mA	450 mA	473 mA	
$I_o = 700$ mA	665 mA	700 mA	735 mA	
$I_o = 1050$ mA	997 mA	1050 mA	1103 mA	
$I_o = 1400$ mA	1330 mA	1400 mA	1470 mA	
$I_o = 1750$ mA	1662 mA	1750 mA	1838 mA	
$I_o = 2100$ mA	1995 mA	2100 mA	2205 mA	
$I_o = 2450$ mA	2327 mA	2450 mA	2573 mA	
$I_o = 2800$ mA	2660 mA	2800 mA	2940 mA	
$I_o = 3150$ mA	2992 mA	3150 mA	3308 mA	
$I_o = 3500$ mA	3325 mA	3500 mA	3675 mA	
$I_o = 4200$ mA	3990 mA	4200 mA	4410 mA	
$I_o = 4900$ mA	4655 mA	4900 mA	5145 mA	
$I_o = 5950$ mA	5652 mA	5950 mA	6248 mA	
Output Voltage Range				
$I_o = 350$ mA	256 V	-	428 V	
$I_o = 450$ mA	200 V	-	333 V	
$I_o = 700$ mA	128 V	-	214 V	
$I_o = 1050$ mA	85 V	-	142 V	
$I_o = 1400$ mA	64 V	-	107 V	
$I_o = 1750$ mA	51 V	-	85 V	
$I_o = 2100$ mA	42 V	-	71 V	
$I_o = 2450$ mA	36 V	-	61 V	
$I_o = 2800$ mA	31 V	-	53 V	
$I_o = 3150$ mA	28 V	-	47 V	
$I_o = 3500$ mA	25 V	-	42 V	
$I_o = 4200$ mA	21 V	-	35 V	
$I_o = 4900$ mA	18 V	-	30 V	
$I_o = 5950$ mA	15 V	-	25 V	
Ripple and Noise (pk-pk)	-	-	3% V_o	Measured by 20 MHz bandwidth oscilloscope and the output paralleled a 0.1 μ F ceramic capacitor and a 10 μ F electrolytic capacitor.
Line Regulation	-	-	1%	
Load Regulation	-	-	3%	
Turn-on Delay Time	-	1.0 S	2.0 S	Measured at 110Vac input.
	-	1.0 S	2.0 S	Measured at 220Vac input.

Note: All specifications are typical at 25 °C unless otherwise stated.

Protection Functions

Parameter	Min.	Typ.	Max.	Notes
Over Voltage Protection				Latch mode. The power supply shall return to normal operation only after the power is turn-on again.
$I_o = 350 \text{ mA}$	514 V	578 V	642 V	
$I_o = 450 \text{ mA}$	400 V	450 V	500 V	
$I_o = 700 \text{ mA}$	257 V	289 V	321 V	
$I_o = 1050 \text{ mA}$	170 V	192 V	213 V	
$I_o = 1400 \text{ mA}$	128 V	144 V	161 V	
$I_o = 1750 \text{ mA}$	102 V	115 V	128 V	
$I_o = 2100 \text{ mA}$	85 V	96 V	107 V	
$I_o = 2450 \text{ mA}$	73 V	82 V	92 V	
$I_o = 2800 \text{ mA}$	64 V	72 V	80 V	
$I_o = 3150 \text{ mA}$	56 V	63 V	71 V	
$I_o = 3500 \text{ mA}$	50 V	57 V	63 V	
$I_o = 4200 \text{ mA}$	42 V	47 V	53 V	
$I_o = 4900 \text{ mA}$	36 V	41 V	45 V	
$I_o = 5950 \text{ mA}$	30 V	34 V	38 V	
Over Temperature Protection	-	110 °C	-	Maximum temperature of components inside the case.
Short Circuit Protection	No damage shall occur when any output operating in a short circuit condition. The power supply shall be self-recovery when the fault condition is removed.			

General Specifications

Parameter	Min.	Typ.	Max.	Notes
Efficiency				Measured at full load, 110Vac input, 25°C ambient temperature, after the unit is thermally stabilized. It will be lower about 1%, if measured immediately after startup.
$I_o = 350 \text{ mA}$	89%	90%	-	
$I_o = 450 \text{ mA}$	89%	90%	-	
$I_o = 700 \text{ mA}$	89%	90%	-	
$I_o = 1050 \text{ mA}$	89%	90%	-	
$I_o = 1400 \text{ mA}$	88%	89%	-	
$I_o = 1750 \text{ mA}$	88%	89%	-	
$I_o = 2100 \text{ mA}$	88%	89%	-	
$I_o = 2450 \text{ mA}$	88%	89%	-	
$I_o = 2800 \text{ mA}$	88%	89%	-	
$I_o = 3150 \text{ mA}$	88%	89%	-	
$I_o = 3500 \text{ mA}$	88%	89%	-	
$I_o = 4200 \text{ mA}$	87%	88%	-	
$I_o = 4900 \text{ mA}$	87%	88%	-	
$I_o = 5950 \text{ mA}$	87%	88%	-	
Efficiency				Measured at full load, 220Vac input, 25°C ambient temperature, after the unit is thermally stabilized. It will be lower about 1%, if measured immediately after startup.
$I_o = 350 \text{ mA}$	91%	92%	-	
$I_o = 450 \text{ mA}$	91%	92%	-	
$I_o = 700 \text{ mA}$	91%	92%	-	
$I_o = 1050 \text{ mA}$	91%	92%	-	
$I_o = 1400 \text{ mA}$	90%	91%	-	
$I_o = 1750 \text{ mA}$	90%	91%	-	
$I_o = 2100 \text{ mA}$	90%	91%	-	
$I_o = 2450 \text{ mA}$	90%	91%	-	
$I_o = 2800 \text{ mA}$	90%	91%	-	
$I_o = 3150 \text{ mA}$	90%	91%	-	
$I_o = 3500 \text{ mA}$	90%	91%	-	
$I_o = 4200 \text{ mA}$	89%	90%	-	
$I_o = 4900 \text{ mA}$	89%	90%	-	
$I_o = 5950 \text{ mA}$	89%	90%	-	

General Specifications (Continued)

Parameter	Min.	Typ.	Max.	Notes
MTBF I _o = 5950 mA I _o = 350 mA		195,000 hours 271,000 hours		Measured at 110Vac input, 80%Load and 25° C ambient temperature (MIL-HDBK-217F).
Life Time I _o = 5950 mA I _o = 350 mA		90,000 hours 100,000 hours		Measured at 220Vac input, 80%Load and 45° C ambient temperature.
Dimensions Inches (L x W x H) Millimeters (L x W x H)		9.37 x 3.13 x 1.81 238 x 79.5 x 46		
Net Weight	-	1500 g	-	

Note: All specifications are typical at 25 ° C unless otherwise stated.

Environmental Specifications

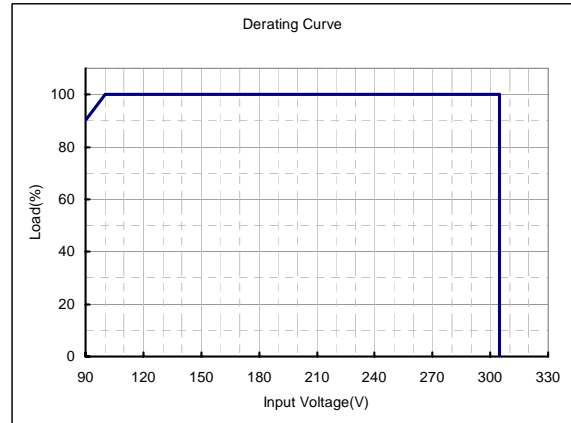
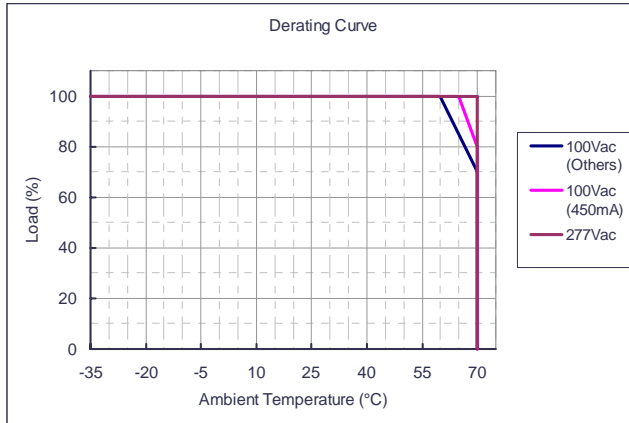
Parameter	Min.	Typ.	Max.	Notes
Operating Temperature	-35 °C	-	+70 °C	Humidity: 10% RH to 100% RH
Storage Temperature	-40 °C	-	+85 °C	Humidity: 5% RH to 100% RH

Safety & EMC Compliance

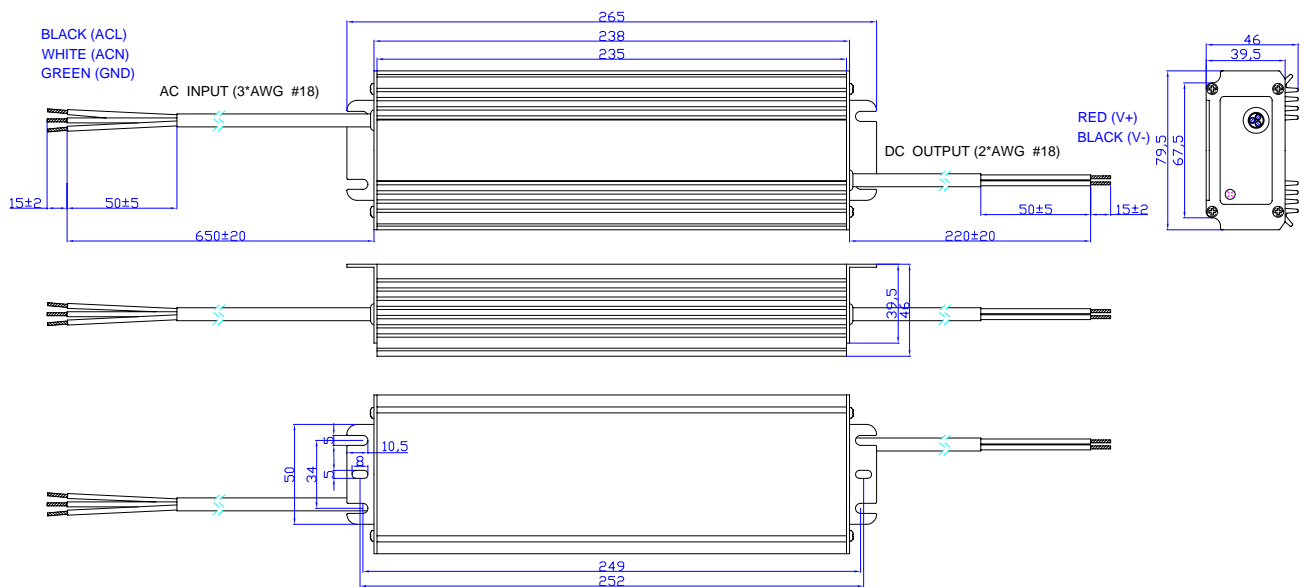
Safety Category	Country	Standard
CUL	USA & Canada	UL8750 Compliance to UL1012 UL935, CAN/CSA-C22.2 No. 0, CSA-C22.2 No. 107.1, CSA-C22.2 No. 250.0
CE	Europe	EN 61347-1, EN61347-2-13
EMI Standards		Notes
EN 55015		Conducted emission Test & Radiated emission Test with 6 dB margin
EMS Standards		Notes
EN 61000-3-2		Harmonic current emissions
EN 61000-3-3		Voltage fluctuations & flicker
EN 61000-4-2		Electrostatic Discharge (ESD): 8 kV air discharge, 4 kV contact discharge
EN 61000-4-3		Radio-Frequency Electromagnetic Field Susceptibility Test-RS
EN 61000-4-4		Electrical Fast Transient / Burst-EFT
EN 61000-4-5		Surge Immunity Test: AC Power Line: line to line 2 kV, line to earth 4 kV
EN 61000-4-6		Conducted Radio Frequency Disturbances Test-CS
EN 61000-4-8		Power Frequency Magnetic Field Test
EN 61000-4-11		Voltage Dips
EN 61547		Electromagnetic Immunity Requirements Applies To Lighting Equipment

Specifications are subject to changes without notice.

Derating Curve



Mechanical Outline



RoHS Compliance

Our products comply with the European Directive 2002/95/EC, calling for the elimination of lead and other hazardous substances from electronic products.

Revision History

Change Date	Rev.	Description of Change		
		Item	From	To
2009-09-02	V3.3	Change MTBF and Life Time		
2009-09-11	V3.4	Change Turn-on Delay Time		
2009-10-15	V3.5	Delete "UL1310 Class2" in Safety & EMC Compliance		
2009-11-10	V4.0	Change notes of efficiency.		
2009-12-04	V4.1	Add two models of 350mA & 450mA. Update Mechanical Outline.		
2010-01-15	A	Change the derating curve		
2010-05-31	B	Add star rank for recommended models	/	☆: Popular model.
		Add Leakage Current in Input Specifications	/	Max. 1 mA At 277Vac 50Hz input
		Standardize the tolerance in Mechanical Outline	/	/
2010-07-22	C	Delete Output Overshoot / Undershoot	Max. 10%	/
2011-01-14	D	Change popular models	/	/
		Update MTBF & Life Time Date	For One Model	For Two Models

X-ON Electronics

Largest Supplier of Electrical and Electronic Components

Click to view similar products for [LED Power Supplies](#) category:

Click to view products by [Inventronics](#) manufacturer:

Other Similar products are found below :

[ESS015W-1000-12](#) [EUC-075S105DT](#) [PDA-WIFI](#) [PIFC-K250F](#) [PITB-K222A](#) [ALD-514012PJ134](#) [LB240S24KH](#) [LMH020-SPLC-0000-0000001](#) [79534](#) [79535](#) [EUG-200S210DT](#) [ESS030W-1050-21](#) [ESS030W-0900-32](#) [BPOXL 4-12-035](#) [SLM160W-3.9-40-ZA](#) [ESS010W-0180-42](#) [ESS010W-0350-24](#) [ESS010W-0200-42](#) [PDA080B-1A0G](#) [PDA150B-S1A5G](#) [ZPS-20](#) [SLM140W-1.05-130-ZA](#) [ESS040W-1400-27](#) [ESS015W-0700-18](#) [ESS010E-0250-42](#) [EDC-100S105SV-0007](#) [79278](#) [EUD-150S350DVA](#) [LWA320-C420-ARK-B](#) [50304](#) [HVG-320-36AB](#) [HVG-320-54AB](#) [OT FIT 50/220-240/300 D L](#) [OT FIT 35/220-240/350 D CS L](#) [OT FIT 65/220-240/350 D CS L](#) [ELEMENT 30/220-240/700 S](#) [LC 75W 100-400MA 1-10V LP EXC](#) [LCA 35W 150-700MA ONE4ALL LP PRE](#) [LCA 50W 100-400MA ONE4ALL LP PRE](#) [LCA 50W 350-1050MA ONE4ALL LP PRE](#) [LCA 50W 350-1050MA 2XCH LP PRE](#) [LCI 150/325-1050/300 O4A SL PRE](#) [LCA 75W 100-400MA ONE4ALL LP PRE](#) [LCA 45W 500-1400MA ONE4ALL SC PRE](#) [LC 50W 100-400MA FLEXC LP EXC](#) [LCA 75W 350-1050MA ONE4ALL LP PRE](#) [LC 50W 350-1050MA FLEXC LP EXC](#) [LC 75W 350-1050MA FLEXC LP EXC](#) [LCA 75W 900-1800MA ONE4ALL LP PRE](#) [LCA 100W 250-700MA ONE4ALL LP PRE](#)