

Features

- High Efficiency (Up to 93%)
- Constant Voltage Output
- Input Surge Protection: 4kV line-line, 6kV line-earth
- All-Around Protection: OVP, OCP, SCP, OTP
- Waterproof (IP67)
- SELV Output
- Suitable for Independent Use



Description

The EUV-150SxxxSV series is a 150W, constant-voltage outdoor LED driver that operates from 90-305 Vac input with excellent power factor. It is created for high bay, tunnel and roadway lights. The high efficiency of these drivers and compact metal case enables them to run cooler, significantly improving reliability and extending product life. To ensure trouble-free operation, protection is provided against input surge, output over voltage, over current, short circuit, and over temperature.

Models

Output Voltage	Input Voltage Range(1)	Output Current Range	Max. Output Power	Typical Efficiency (2)	Power Factor		Model Number (3)(4)
					110Vac	220Vac	
12 Vdc	90 ~ 305 Vac	0~12.5 A	150 W	92%	0.99	0.96	EUV-150S012SV
24 Vdc	90 ~ 305 Vac	0~6.25 A	150 W	93%	0.99	0.96	EUV-150S024SV
36 Vdc	90 ~ 305 Vac	0~4.17 A	150 W	93%	0.99	0.96	EUV-150S036SV
42 Vdc	90 ~ 305 Vac	0~3.57 A	150 W	93%	0.99	0.96	EUV-150S042SV
48 Vdc	90 ~ 305 Vac	0~3.13 A	150 W	93%	0.99	0.96	EUV-150S048SV
54 Vdc	90 ~ 305 Vac	0~2.78 A	150 W	93%	0.99	0.96	EUV-150S054SV

- Notes:** (1) Certified input Voltage range 100-240Vac
 (2) Measured at full load and 220 Vac input.
 (3) All the models are certificated to PSE, except EUV-150S042SV
 (4) SELV output

Input Specifications

Parameter	Min.	Typ.	Max.	Notes
Input Voltage	90 Vac	-	305 Vac	
Input Frequency	47 Hz	-	63 Hz	
Leakage Current	-	-	1 mA	At 240Vac/60Hz input, grounding effectively
Input AC Current	-	-	1.93 A	Measured at full load and 100 Vac input.
	-	-	0.85 A	Measured at full load and 220 Vac input
Inrush Current(I ² t)	-	-	1.5 A ² s	At 220Vac input, 25°C cold start, duration=1.2 ms, 10%Ipk-10%Ipk.

Input Specifications (Continued)

Parameter	Min.	Typ.	Max.	Notes
PF	0.90	-	-	At 100-240 Vac, 100% Load
THD	-	-	20%	

Output Specifications

Parameter	Min.	Typ.	Max.	Notes	
Output Voltage Tolerance	-5%	-	5%	At full load condition.	
Output Voltage Ripple (pk-pk)	-	-	2% V _O	Measured by 20 MHz bandwidth oscilloscope and the output paralleled a 0.1 uF ceramic capacitor and a 10 uF electrolytic capacitor.	
Output Overshoot / Undershoot	-	-	10%	When power on or off.	
Line Regulation	-	-	± 1%	At full load condition.	
Load Regulation	-	-	± 2%		
Turn-on Delay Time	-	0.9 s	1.5 s	Measured at 110Vac input.	
	-	0.5 s	1.0 s	Measured at 220Vac input.	
Load Dynamic Response	Output Deviation	-	-	5% V _O	R/S: 1 A/ uS Load: 25% ~ 75% full load.
	Settling Time	-	-	10 mS	
Temperature coefficient	-	-	0.03%/°C	Case temperature = 0°C ~T _c max	

Note: All specifications are typical at 25 °C unless otherwise stated.

General Specifications

Parameter	Min.	Typ.	Max.	Notes
Efficiency at 110 Vac input: V _O = 12 V V _O = 24 V V _O = 36 V V _O = 48 V V _O = 54 V	88% 89% 89% 89% 89%	89% 90% 90% 90% 90%	- - - - -	Measured at full load and steady-state temperature in 25°C ambient; (Efficiency will be about 1.0% lower if measured immediately after startup.)
Efficiency at 220 Vac input: V _O = 12 V V _O = 24 V V _O = 36 V V _O = 48 V V _O = 54 V	91% 92% 92% 92% 92%	92% 93% 93% 93% 93%	- - - - -	Measured at full load and steady-state temperature in 25°C ambient; (Efficiency will be about 1.0% lower if measured immediately after startup.)
No Load Power Dissipation	-	-	3 W	
MTBF	-	260,900 hours	-	Measured at 110Vac input, 80%Load and 25°C ambient temperature (MIL-HDBK-217F)
Lifetime	-	77,200 hours	-	Measured at 220Vac input, 80%Load and 60°C case temperature; See life time vs. T _c curve for the details

General Specifications (Continued)

Parameter	Min.	Typ.	Max.	Notes
Operating Case Temperature for Safety Tc_s	-35 °C	-	+90 °C	
Operating Case Temperature for Warranty Tc_w	-35 °C	-	+65 °C	
Storage Temperature	-40 °C	-	+85 °C	Humidity: 5% RH to 100% RH
Dimensions Inches (L x W x H) Millimeters (L x W x H)	7.83 x 2.66 x 1.56 199 x 67.5 x 39.5			
Net Weight	-	1000 g	-	

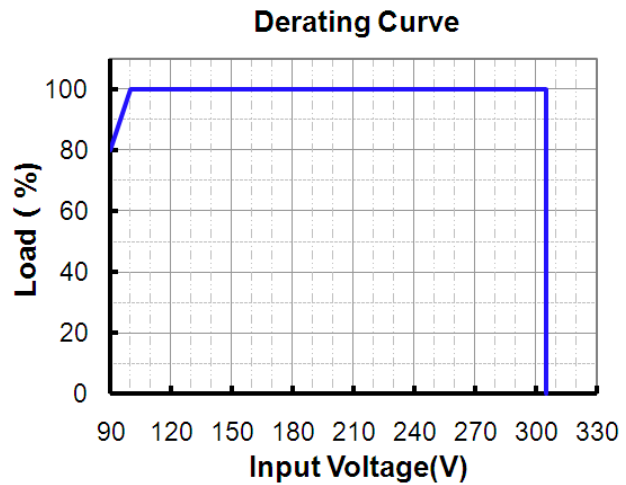
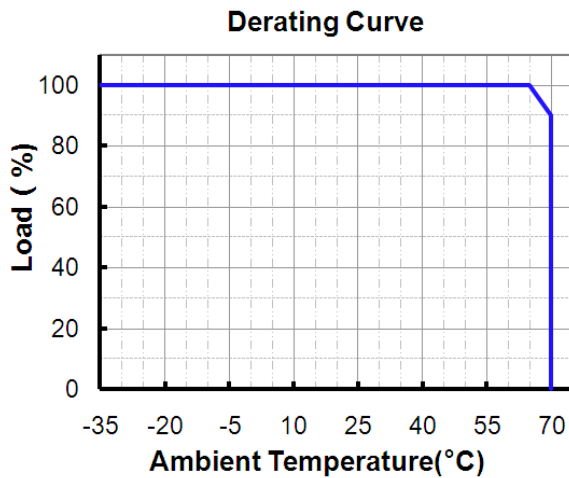
Note: All specifications are typical at 25 °C unless otherwise stated.

Safety & EMC Compliance

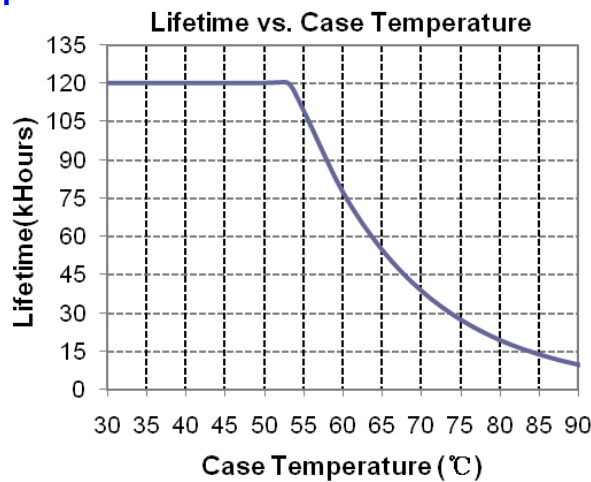
Safety Category	Standard
CE	EN 61347-1, EN61347-2-13
EMI Standards	Notes
EN 55015	Conducted emission Test & Radiated emission Test
EN 61000-3-2	Harmonic current emissions
EN 61000-3-3	Voltage fluctuations & flicker
EMS Standards	Notes
EN 61000-4-2	Electrostatic Discharge (ESD): 8 kV air discharge, 4 kV contact discharge
EN 61000-4-3	Radio-Frequency Electromagnetic Field Susceptibility Test-RS
EN 61000-4-4	Electrical Fast Transient / Burst-EFT
EN 61000-4-5	Surge Immunity Test: AC Power Line: line to line 4 kV, line to earth 6 kV *
EN 61000-4-6	Conducted Radio Frequency Disturbances Test-CS
EN 61000-4-8	Power Frequency Magnetic Field Test
EN 61000-4-11	Voltage Dips
EN 61547	Electromagnetic Immunity Requirements Applies to Lighting Equipment

* Note: To perform electric strength (hi-pot) testing, the "GDT ground disconnect" (nut and metal lock sheet) on the driver end-cap should be removed temporarily to prevent the internal gas discharge tube from conducting (as allowed by IEC 60598-1 Clause 10.2). After testing is completed, these items must be reinstalled to restore line-to-earth surge protection and secure the end cap.

Derating Curve



Lifetime vs. Case Temperature Curve

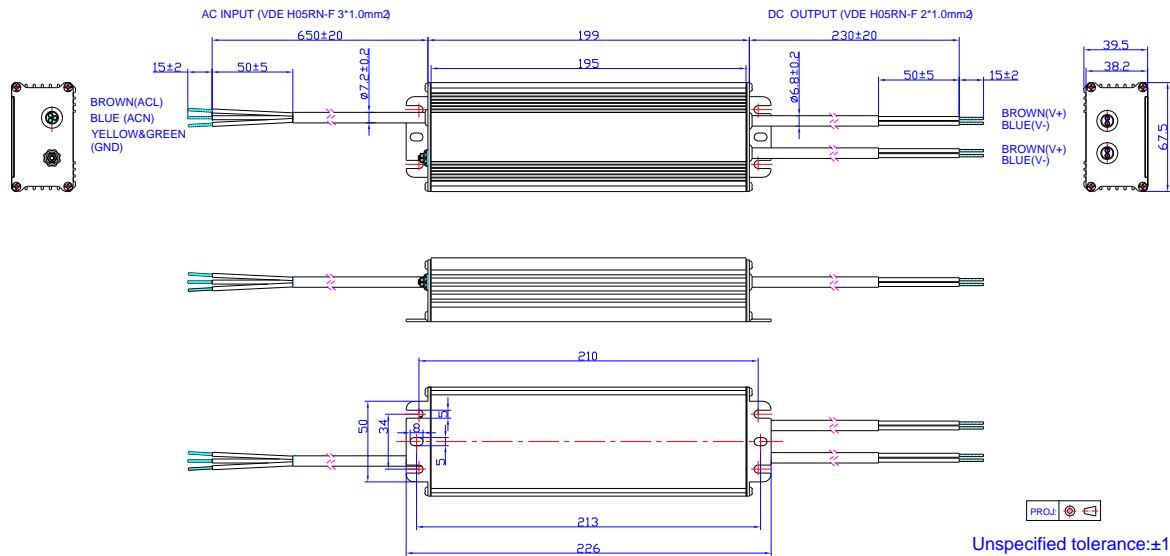


Protection Functions

Parameter	Min.	Typ.	Max.	Notes
Over Current Protection	110% I _o	135% I _o	200% I _o	Hiccup mode. The power supply shall be self-recovery when the fault condition is removed.
Over Temperature Protection	Auto Recovery, returning to normal after over temperature is removed.			
Short Circuit Protection	No damage shall occur when any output operating in a short circuit condition. The power supply shall be self-recovery when the fault condition is removed.			
Over Voltage Protection	Limits output voltage at no load and in case the normal voltage limit fails.			

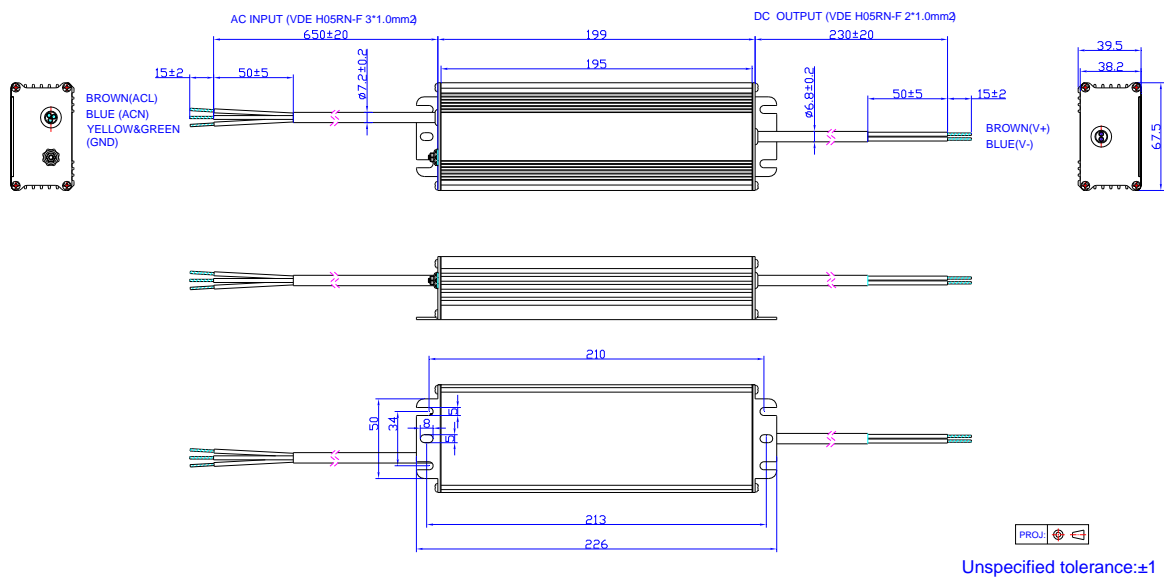
Mechanical Outline

EUV-150S012SV



Note: The 2 DC output cables are connected in parallel internally because one 1.0mm² wire can only carry 10A. Please connect the 2 brown wires together and 2 blue wires together in application, or ensure each cable carries same current.

Others



RoHS Compliance

Our products comply with the European Directive 2011/65/EC, calling for the elimination of lead and other hazardous substances from electronic products.

Revision History

Change Date	Rev.	Description of Change				
		Item	From	To		
2009-08-14	A	Change Max. Output Current and Efficiency.				
2009-09-02	B	Change MTBF and Life Time.				
2009-09-11	C	Change Turn-on Delay Time				
2009-10-15	D	Delete "UL1310 Class2" in Safety & EMC Compliance				
2009-11-10	E	Change notes of efficiency. Change "No Load Power Dissipation".				
2009-11-13	F	Add the Mechanical Outline of 12V.				
2009-12-16	G	Add note for mechanical outline.				
2010-05-31	H	Add star rank for recommended models	/	☆: Popular model.		
		Add Leakage Current in Input Specifications	/	Max. 1 mA At 277Vac 50Hz input		
		Standardize the tolerance in Mechanical Outline	/	/		
2011-12-09	I	EUV-150S020SV	/	Add New Model		
2012-06-12	J	Models $V_O = 40\text{ V}$ $V_O = 50\text{ V}$ $V_O = 52\text{ V}$ $V_O = 56\text{ V}$ $V_O = 81\text{ V}$ $V_O = 105\text{ V}$	/	Deleted		
		Turn-on delay time	0.6 s	1.0 s	0.9 s	1.5 s
			0.3 s	0.6 s	0.5 s	1.0 s
		Efficiency of EUV-150S020SV @ 110 Vac	/	1 % lower		
		MTBF	584,000 Hours	250,000 Hours		
		Life time	/	50,000 Hours at Tc 60°C		
		Life time Curve	/	Added		
Mechanical outline	/	Updated				
2012-7-17	K	Max Case Temperature	/	Updated		
2012-8-24	L	EN61000-4-5	line to line 2 kV, line to earth 4 kV	line to line 4 kV, line to earth 6 kV		
		Min PF	/	Added		
		Max THD	/	Added		
		Temperature Co-efficient	/	Added		
		42V Model	/	Deleted		
		Inrush Current(I^2t)	/	Added		
2012-10-12	M	Life Time Typical Value	69,000 hours	77,200 hours		
		Life Time Curve	/	Updated		

2013-01-18	N	No Load Power Dissipation	2 W	3 W
2013-11-26	O	Input Specifications--Load Range of PF & THD	75%load-100%load	100%load
2015-09-11	P	Format	/	Update
		External Grounding Screw Solution	/	/
		Features	/	Update
		Description	/	Update
		Models	EUV-150S042SV	Added
		Models	EUV-150S020SV	Delete
		General Specifications	Case Temperature	Operating Case Temperature for Safety Tc_s
		General Specifications	Operating Case Temperature for Warranty Tc_w	Added
		General Specifications	Storage Temperature	Added
		Environmental Specifications	/	Delete
Safety & EMC Compliance	/	Update		
Protection Functions	/	Update		
Mechanical Outline	/	Update		

X-ON Electronics

Largest Supplier of Electrical and Electronic Components

Click to view similar products for [LED Power Supplies](#) category:

Click to view products by [Inventronics](#) manufacturer:

Other Similar products are found below :

[ESS015W-1000-12](#) [EUC-075S105DT](#) [PDA-WIFI](#) [PIFC-K250F](#) [PITB-K222A](#) [ALD-514012PJ134](#) [LB240S24KH](#) [LMH020-SPLC-0000-0000001](#) [79534](#) [79535](#) [EUG-200S210DT](#) [ESS030W-1050-21](#) [ESS030W-0900-32](#) [BPOXL 4-12-035](#) [SLM160W-3.9-40-ZA](#) [ESS010W-0180-42](#) [ESS010W-0350-24](#) [ESS010W-0200-42](#) [PDA080B-1A0G](#) [PDA150B-S1A5G](#) [ZPS-20](#) [SLM140W-1.05-130-ZA](#) [ESS040W-1400-27](#) [ESS015W-0700-18](#) [ESS010E-0250-42](#) [EDC-100S105SV-0007](#) [79278](#) [EUD-150S350DVA](#) [LWA320-C420-ARK-B](#) [50304](#) [HVG-320-36AB](#) [HVG-320-54AB](#) [OT FIT 50/220-240/300 D L](#) [OT FIT 35/220-240/350 D CS L](#) [OT FIT 65/220-240/350 D CS L](#) [ELEMENT 30/220-240/700 S](#) [LC 75W 100-400MA 1-10V LP EXC](#) [LCA 35W 150-700MA ONE4ALL LP PRE](#) [LCA 50W 100-400MA ONE4ALL LP PRE](#) [LCA 50W 350-1050MA ONE4ALL LP PRE](#) [LCA 50W 350-1050MA 2XCH LP PRE](#) [LCI 150/325-1050/300 O4A SL PRE](#) [LCA 75W 100-400MA ONE4ALL LP PRE](#) [LCA 45W 500-1400MA ONE4ALL SC PRE](#) [LC 50W 100-400MA FLEXC LP EXC](#) [LCA 75W 350-1050MA ONE4ALL LP PRE](#) [LC 50W 350-1050MA FLEXC LP EXC](#) [LC 75W 350-1050MA FLEXC LP EXC](#) [LCA 75W 900-1800MA ONE4ALL LP PRE](#) [LCA 100W 250-700MA ONE4ALL LP PRE](#)