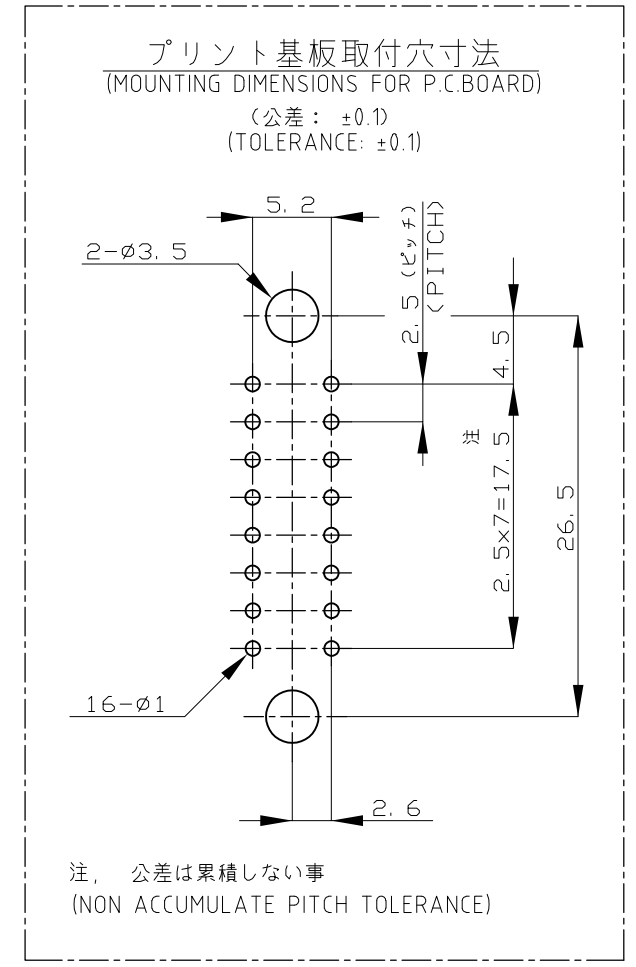
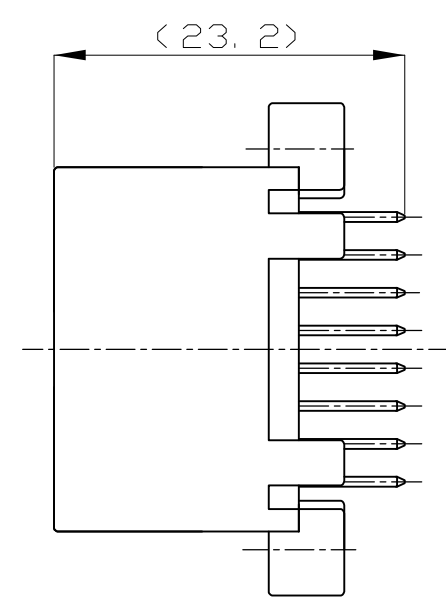
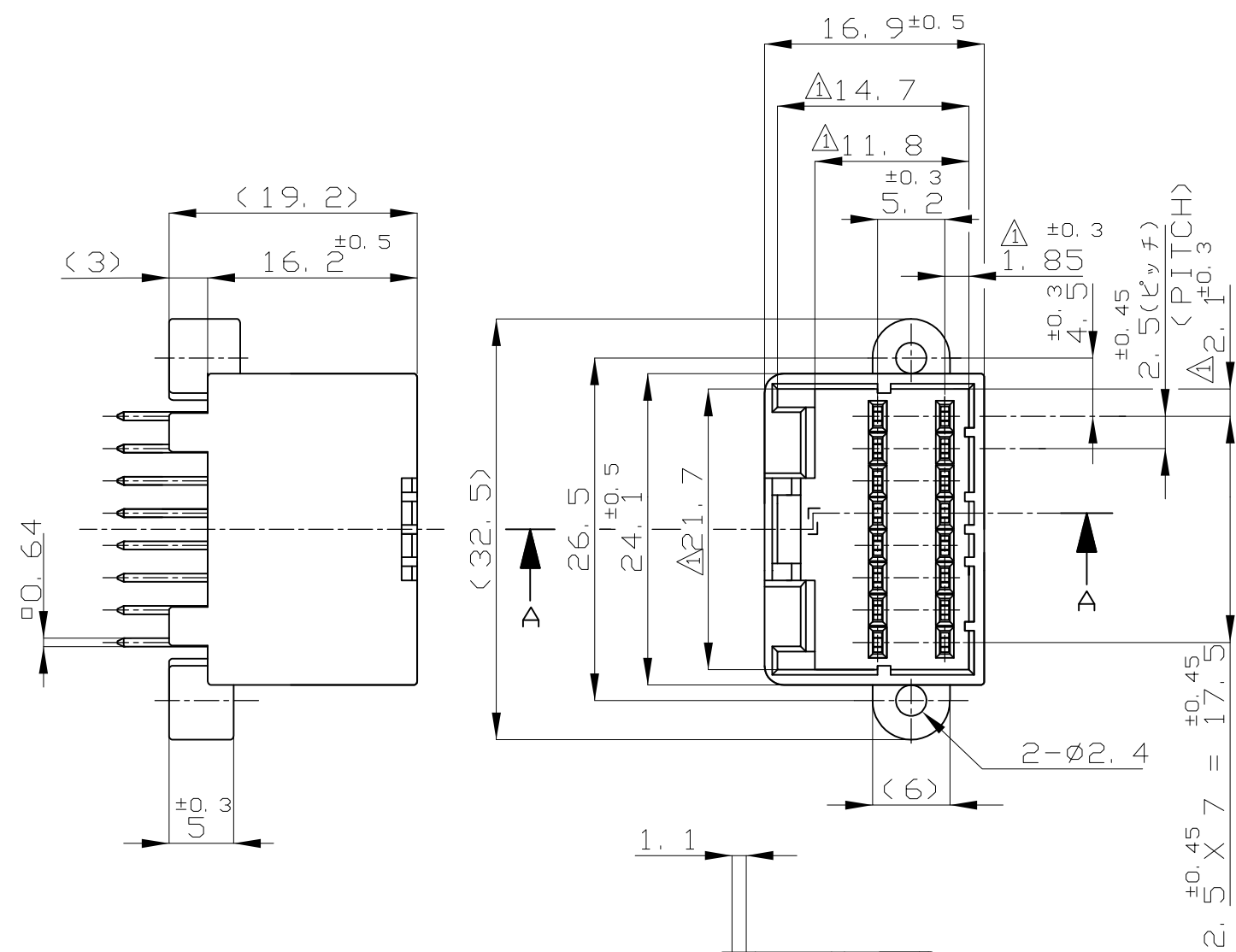


THIS DRAWING IS UNPUBLISHED. RELEASED FOR PUBLICATION
 © COPYRIGHT - By - ALL RIGHTS RESERVED.

LOC	DIST	REVISIONS					
		P	LTR	DESCRIPTION	DATE	DWN	APVD
J	-		D4	REVISED PER ECO-11-005140	28MAR11	RK	HMR



注、公差は累積しない事 (NON ACCUMULATE PITCH TOLERANCE)

- 注:
- △ [-Z-] 面より2mmの範囲で測定
 - 適用プリント基板厚: 1.6mm
 - カン合相手ハウジング型番: 174046
 - 推奨取付ネジ: JIS B1115, B1122 タッピンネジ, ナベ2種
呼び径3, 長さ6mm (締付けトルク0.8N-M以下)

断面 A-A
(SECT. A-A)

- NOTE:
- △ TO BE MEASURED WITHIN 2mm FROM [-Z-]
 - APPLICABLE P.C.BOARD THICKNESS: 1.6mm
 - THE MATING COUNTERPART PART NUMBER: 174046
 - RECOMMENDED MOUNTING SCREW: 3mmDIA, 6mmLENGTH TAPPING SCREW
SPECIFIED IN JIS B1115, B1122 (TIGHTENING TORQUE: 0.8N-M MAX.)

一般公差 (GENERAL TOLERANCES)

0 < * < 10	±0.2
10 < * < 30	±0.25
30 < * < 100	±0.3
ANGLES	±3°

THIS DRAWING IS A CONTROLLED DOCUMENT.

DIMENSIONS: 単位: 耗 mm	TOLERANCES UNLESS OTHERWISE SPECIFIED: 一般公差
0 PLC ±-	1 PLC ±-
1 PLC ±-	2 PLC ±-
2 PLC ±-	3 PLC ±-
3 PLC ±-	4 PLC ±-
4 PLC ±-	ANGLES ±-
MATERIAL 材料	FINISH 仕上
HOUSING: PBT	CONTACT: BRASS

DWN	M.KADOSAKI	120CT05
CHK	T.SHINOHARA	120CT05
APVD	K.BETSUI	120CT05
PRODUCT SPEC	製品規格	
APPLICATION SPEC	取付適用規格	
WEIGHT		

PRE-TIN		NATURAL	174975-4
SELECTIVE-TIN		PRE-TIN	BLACK
PRE-TIN		BLACK	174975-2
SELECTIVE-TIN (MATTE)	SELECTIVE-TIN (BRIGHT)	BLACK	174975-1
SOLDERING SIDE 半田付け部	CONTACT SIDE 接触部側	COLOR 色	PART NUMBER 製品型番
CONTACT FINISH コンタクト仕上			
STE TE Connectivity			
16Pos. CAP HOUSING ASS'Y .040 SRS. MULTI-LOCK I/O CONN. (V-TYPE)			
SIZE	CAGE CODE	DRAWING NO 番号	RESTRICTED TO
A3	00779	C-174975	-
CUSTOMER DRAWING		SCALE 尺度	SHEET 1 OF 1
		2:1	REV D4

X-ON Electronics

Largest Supplier of Electrical and Electronic Components

Click to view similar products for [Headers & Wire Housings](#) category:

Click to view products by [TE Connectivity](#) manufacturer:

Other Similar products are found below :

[95000-104TRLF](#) [10135584-644402LF](#) [DF62W-EP2022PCA](#) [95000-106TRLF](#) [DF62W-2022SCA](#) [DF62W-EP2022PC](#) [2203348](#) [DF62W-2022SC](#) [1084018](#) [1029039](#) [1084017](#) [802-10-012-10-002000](#) [1112640](#) [1112639](#) [891-007-9SS-BST1T](#) [000-34000](#) [0008550134](#) [0009482033](#) [0009507031](#) [57102-F02-18ULF](#) [57102-S06-03LF](#) [57202-S52-04LF](#) [PCN6-15S-2.5E](#) [0039019024](#) [58102-G61-06LF](#) [582553-1](#) [0009485154](#) [0009508121](#) [0022285053](#) [0050291907](#) [018731A](#) [LY20-4P-DT1-P1E-BR](#) [02.125.8002.8](#) [60101931](#) [60598-1 \(Cut Strip\)](#) [M1625-3R/100](#) [61062-3](#) [61082-181009](#) [CSU011177004](#) [636-1427](#) [638009-1](#) [641938-9](#) [641991-4](#) [644168-1](#) [644827-2](#) [647662-1](#) [65039-019ELF](#) [65692-001LF](#) [65781-018](#) [65781-047](#)