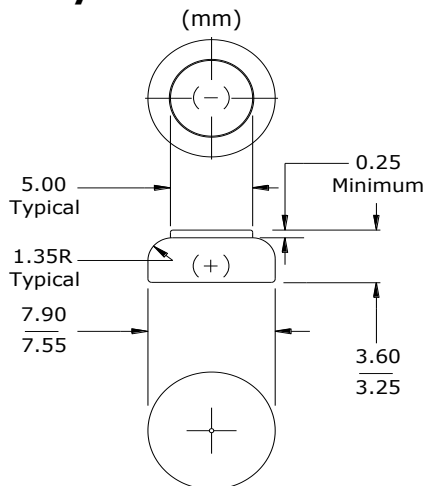


Energizer AC312 - Mercury Free



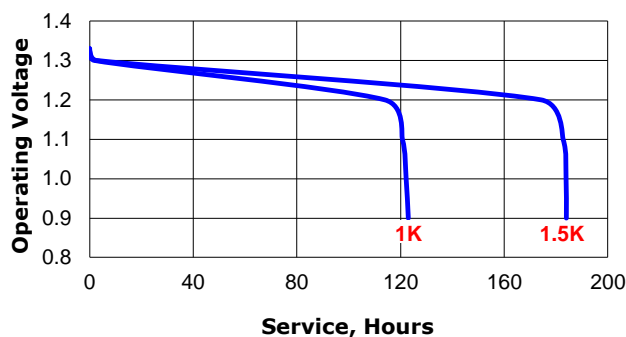
(top view) (bottom view)

Industry Standard Dimensions



Typical Discharge Characteristics

Schedule: 16 hours/day
Typical Drain @ 1.3V:
1.3 & 0.87 milliamperes
Load: 1K & 1.5K ohms



Simulated Application Test

Typical Performance at 21°C & 50% RH

Schedule:	Typical Drains: at 1.3V (milliamperes)	Load (ohms)	Cutoff 0.9V (hours)
16 Hours/Day	1.3	1,000	123
16 Hours/Day	0.87	1,500	184

Specifications

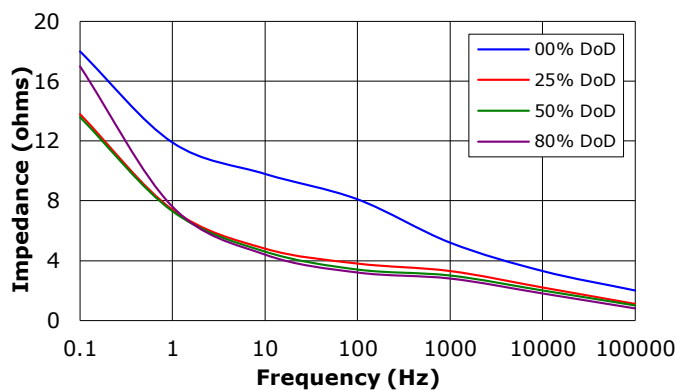
Chemical System:	Zinc Air (Zn/O ₂)
Tab Color:	Brown
Designation:	IEC-PR41
Nominal Voltage:	1.4 Volts
Typical Capacity:	160 mAh (to 0.9 volts) (Rated at 1.5k ohms at 21°C/50% RH)
Typical Weight:	0.5 grams
Typical Volume:	0.2 cubic centimeters

Impedance

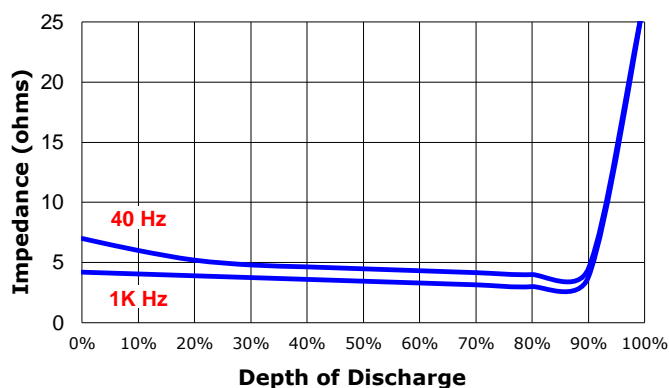
The total opposition that a battery offers to the flow of alternating current. Impedance is a combination of resistance and reactance.

The typical impedance of these cells on open circuit and during useful discharge varies from 5-20 ohms. This applies over a frequency range of 40-5,000 hertz at the current drains shown below.

Impedance vs. Frequency



Impedance vs. Depth of Discharge



Important Notice

This datasheet contains typical information specific to batteries manufactured at the time of its publication.

Contents herein do not constitute a warranty.

©Energizer Holdings, Inc. - All Rights Reserved

X-ON Electronics

Largest Supplier of Electrical and Electronic Components

Click to view similar products for [Battery Packs](#) category:

Click to view products by [Energizer](#) manufacturer:

Other Similar products are found below :

[2280309-1](#) [R101-B](#) [4114 210 501](#) [4120 210 501](#) [4600 726 406](#) [4610 726 406](#) [312G-U1](#) [55615703012](#) [3LR12](#) [4103 210 392](#) [4103 210 394](#)
[4106 210 392](#) [4106 210 394](#) [4223 210 501](#) [4606 726 406](#) [4607 726 406](#) [ZA13](#) [LR03/AAA/MN2400\(K4\)](#) [LR03 MAXELL S4](#) [LR1130](#)
[MAXELL B10](#) [LR14-MN1400-C K2](#) [LR1/910A](#) [LR41 MAXELL B10](#) [LR43](#) [LR43 MAXELL B10](#) [LR6 MAXELL S4](#) [11012](#) [E23A](#) [E90](#)
[625302](#) [625304](#) [637871](#) [638006](#) [6LF22/9V/MN1604\(K1\)C&B](#) [6LF22/9V/MN1604 PLUS](#) [6LR61](#) [SR626SW MAXELL](#) [SR920SW](#)
[MAXELL](#) [7K67 J](#) [55615303059](#) [GP14A S2](#) [GP15E](#) [GP1604GLF-2UE1](#) [GP 1604 ULTRA PLUS](#) [23733](#) [10 ET](#) [675 ET](#) [11A B5](#) [A544](#) [A76-](#)
[U10](#)