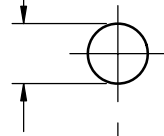
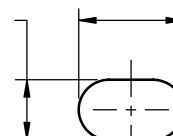


Ø .125 [3.2] / Ø .128 [3.3]

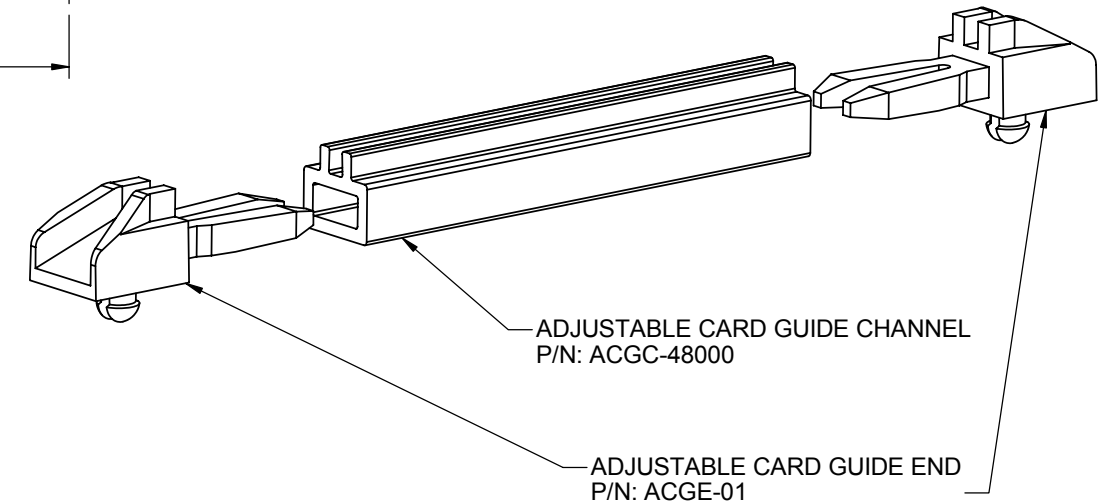
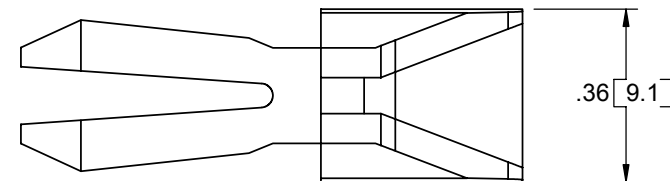


SECTION A-A
SCALE 2.5 : 1

.125 [3.2] / .128 [3.3] .22 [5.5]

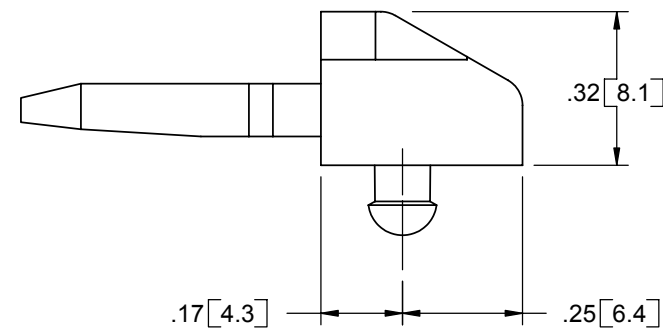


48.34 ± .50
[1227.8 ± 12.7]
MOUNTING HOLES

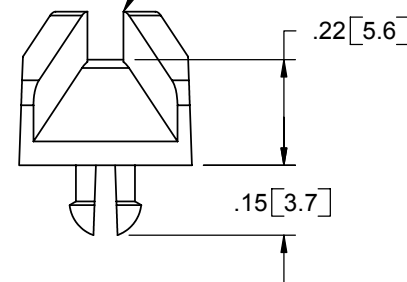


ADJUSTABLE CARD GUIDE CHANNEL
P/N: ACGC-48000

ADJUSTABLE CARD GUIDE END
P/N: ACGE-01

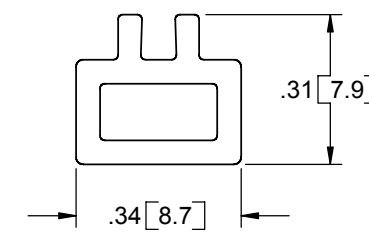


ACCEPTS 1/16 [1.6]
THICK BOARD



P/N: ACGE-01

1. MATERIAL: NYLON 6/6 (RMS-01)
2. COLOR: NATURAL.



P/N: ACGC-48000

1. MATERIAL: PVC (RMS-04)
2. COLOR: NATURAL.

NOTES:

- PART NO. ACGC-48000 CAN BE CUT TO ANY LENGTH BY SPECIAL ORDER.
EXAMPLE: IF MOUNTING HOLES DISTANCE IS 5.00 [127.0], SUBTRACT .34 [8.6] FROM IT.
THEN YOUR CHANNEL LENGTH IS 4.66 [118.4].

D	SEE ECN #1018 FOR CHANGES	SK	06/14/05
C	SEE ECN #800 FOR CHANGES	SM	06/14/04
B	P/N WAS ACGC-04 AND FILE # WAS 03060	SM	11.15.00
A	CONVERTED TO ACAD	PB	01.16.95
REV.	DESCRIPTION	ENGR.	DATE

TITLE: ADJUSTABLE CARD GUIDE				DWG IN IN [MM]		FINAL	
CREATED USING SOLIDWORKS		FILE #: ACGC-ACGE	DWN: P.B.	APP: -	PART #		
TOLERANCES UNLESS NOTED		SHEET: 1 OF 1	SHEET SIZE: B	DT: 01/16/95	CHKD: -	SEE DRAWING	
.XX=±.010 .XXX=±.005 FRAC.=±1/64 ANG.=±1°		RE: RICHCO, INC.		RICHCO, INC. ENG@RICHCO-INC.COM (773) 539-4060		PRINT TYPE CA	

X-ON Electronics

Largest Supplier of Electrical and Electronic Components

Click to view similar products for [Thermoelectric Assemblies](#) category:

Click to view products by [Richco](#) manufacturer:

Other Similar products are found below :

[AA-150-48-44-LK-XX](#) [TEC1-07108](#) [TES1-12704](#) [TEC1-04908](#) [TEC1-06310](#) [TEC1-06315](#) [DA-044-12-02-00-00](#) [387000840](#) [DA-045-24-02-00-00](#) [387000866](#) [AA-040-12-22-00-00](#) [387000177](#) [387000913](#) [387000919](#) [TC-18-QC-50](#) [DA-051-24-02-00-00](#) [387000918](#) [387000910](#) [TC-WIRE3-PR-59](#) [WL 2000](#) [AA-150-24-44-00-XX](#) [DA-039-12-02-00-00](#) [AA-060-24-22-00-00](#) [DA-020-12-02-00-00](#) [AAC050-24-22-00-00](#) [TC-18-QE-50](#) [LA-115-24-02-00-00](#) [LA-045-12-02-00-00](#) [DA-160-24-02-00-00](#) [DA-108-24-02-00-00](#) [DA-045-12-02-00-00](#) [DA-024-12-02-00-00](#) [AA-060-12-22-00-00](#) [AA-033-12-22-00-00](#) [AA-019-12-22-00-00](#) [387000872](#) [387000176](#) [387002414](#) [AA-026-12-22-00-00](#) [AA-150-24-44-LK-XX](#) [AA-150-48-44-00-XX](#) [DA-033-12-02-00-00](#) [DA-075-12-02-00-00](#) [DL-120-24-00-00-00](#) [LAC-046-24-02-00-00](#) [L-ADAP-8-1/8](#) [LL-060-12-00-00-00](#) [SAA-170-24-22-00-00](#) [SDA-195-24-22-00-00](#) [TC-NTC-1](#)