

ACI-CC-60P series LED Driver – IP67 max60W

Operating Temperature : -10 ~ +50 [°C]
 Dimension : 155 x 55 x 36 [mm]
 LED Driver : Constant Current
 Built-in : Active PCF
 Approvals / Marks :

CE IP67



Features:

Built-in active PFC function
 Constant current mode power supply - Suitable for LED lighting and moving sign applications
 Universal AC input / Fully encapsulated with IP67 (for indoor and outdoor use)
 Small and compact size | UL1310 Class II power unit, pass LPS
 Protections: Short circuit & Over current / 100% full load burn-in test

Specification:

		OUTPUT							
	Model	Current [mA]	Output Tol. [%]	Voltage [V]	Voltage Range [V]	Efficiency [%]	#LEDs [pcs]	Max. Power [W]	Ripple & Noise [V] p-p
	ACL-CC-60-1400P	1400±3%	±3	42	21~42	89	~	59	4
INPUT	Voltage	(100 ~ 240)VAC							
	Frequency	(47 ~ 63)Hz							
	Current	1A/100VAC 0.5A/240VAC							
	Inrush Current max.	cold start 70A/230VAC							
	Leakage current	0.5mA/240VAC							
PROTECTION	Over current	Above 105% rated output power. Protection type: Hiccup mode, recovers automatically after fault condition is removed.							
	Over Voltage	-							
	Protection class	UL1310 Class 2 power unit							
	Over temperature	Tj 140°C typically (IC1) Detect on main control IC Protection type: Hiccup mode, recovers automatically after temperature goes down.							
	No Load Operation	-							
OTHERS	Isolation Resistance	I/P-O/P:>100MΩ / 500VDC / 25 ~ 70% RH							
	Set up time	1500ms							
	Hold-up Time	50ms/230VAC							
	MTBF Qualification	30K hrs @ full load 25 °C; ambient temperature and 20k hrs @ full load 50 °C							
	AC cable / DC cable	-							
	Rise time	250ms							
	Line regulation	±1.0%							
	Burn in	100% full load burn-in test							
	PF	>0.9/230VAC							
	Load regulation	±2.0%							
ENVIRONMENT	Temperature	Operating: (-10 ~ +50)°C / Storage: (-40 ~ 80)°C							
	Humidity	Operating: (20 ~ +90)%RH / Storage: (10 ~ 95)%RH Non-condensing							
	Vibration	10 ~ 500Hz, 2G 10min./1cycle, period for 60min. each along X,Y, Z axes							
	Temp. Coefficient	±0.03%/°C (0~50)[°C]							

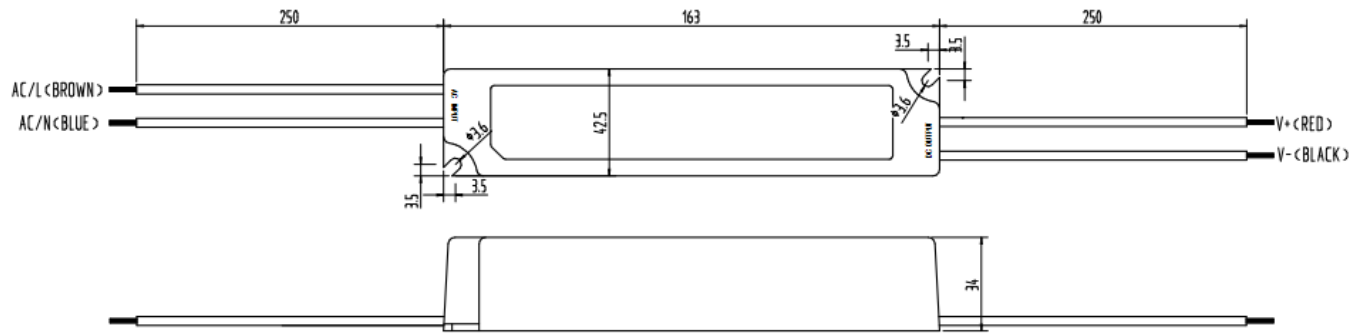
CERTIFICATION & SAFETY | Safety EN61347-1, EN61347-2-13 | Immunity EN61547 | Harmonic EN61000-3-2 | Magnetic Emission EN55015 | RoHS compliant | CE mark / compliant | UL standard design | Pass LPS | UL 1310 Class II power unit

SAFETY & EMC	Withstand voltage	I/P-O/P:3KVAC
	Safety standards	Design refer to UL1310 Class 2, TUV EN60950-1, EN61347-2-13, CAN/CSA C22.2 No. 223-M91, meet IP67
	EMS Immunity	Compliance to EN61000-4-2,3,4,5,6,8,11; ENV50204, EN55024, light industry level, criteria A
	EMI conduction & radiation	Compliance to EN55022 (CISPR22) Class B
	Harmonic current	EN61000-3-2,-3

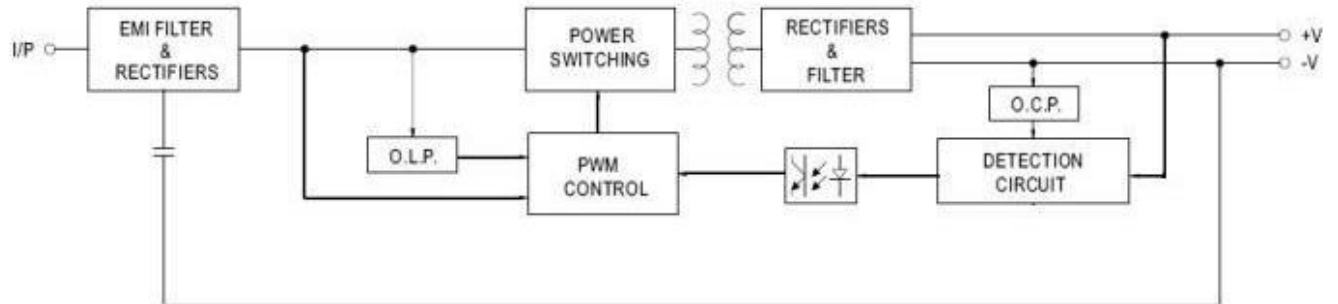
WEIGHT	1pc	N.W.: 300g G.W.: 315g
PACKING	Box	0.26 x 0.20 x 0.35 [m]
		50pcs / 1box
		G.W.: -16kg / box

ACI-CC-60P series LED Driver – IP67 max60W

Mechanical case specification:



Block diagram:



X-ON Electronics

Largest Supplier of Electrical and Electronic Components

Click to view similar products for [LED Power Supplies](#) category:

Click to view products by [Cellevia](#) manufacturer:

Other Similar products are found below :

[ESS015W-1000-12](#) [EUC-075S105DT](#) [PDA-WIFI](#) [PIFC-K250F](#) [PITB-K222A](#) [ALD-514012PJ134](#) [LB240S24KH](#) [LMH020-SPLC-0000-0000001](#) [79534](#) [79535](#) [EUG-200S210DT](#) [ESS030W-1050-21](#) [ESS030W-0900-32](#) [BPOXL 4-12-035](#) [SLM160W-3.9-40-ZA](#) [ESS010W-0180-42](#) [ESS010W-0350-24](#) [ESS010W-0200-42](#) [PDA080B-1A0G](#) [PDA150B-S1A5G](#) [ZPS-20](#) [SLM140W-1.05-130-ZA](#) [ESS040W-1400-27](#) [ESS015W-0700-18](#) [ESS010E-0250-42](#) [EDC-100S105SV-0007](#) [79278](#) [EUD-150S350DVA](#) [LWA320-C420-ARK-B](#) [50304](#) [HVG-320-36AB](#) [HVG-320-54AB](#) [OT FIT 50/220-240/300 D L](#) [OT FIT 35/220-240/350 D CS L](#) [OT FIT 65/220-240/350 D CS L](#) [ELEMENT 30/220-240/700 S](#) [LC 75W 100-400MA 1-10V LP EXC](#) [LCA 35W 150-700MA ONE4ALL LP PRE](#) [LCA 50W 100-400MA ONE4ALL LP PRE](#) [LCA 50W 350-1050MA ONE4ALL LP PRE](#) [LCA 50W 350-1050MA 2XCH LP PRE](#) [LCI 150/325-1050/300 O4A SL PRE](#) [LCA 75W 100-400MA ONE4ALL LP PRE](#) [LCA 45W 500-1400MA ONE4ALL SC PRE](#) [LC 50W 100-400MA FLEXC LP EXC](#) [LCA 75W 350-1050MA ONE4ALL LP PRE](#) [LC 50W 350-1050MA FLEXC LP EXC](#) [LC 75W 350-1050MA FLEXC LP EXC](#) [LCA 75W 900-1800MA ONE4ALL LP PRE](#) [LCA 100W 250-700MA ONE4ALL LP PRE](#)