

Features

- 3.3 V operation (3.0 V–3.6 V)
- High speed
 - $t_{AA} = 15$ ns
- CMOS for optimum speed/power
- Low Active Power
 - 576 mW (max)
- Low CMOS Standby Power
 - 1.80 mW (max)
- Automatic power-down when deselected
- Independent control of upper and lower bits
- Available in 44-pin TSOP II and 48-ball Mini BGA package

Functional Description

The CY7C1021BNV33 ^[1] is a high-performance CMOS static RAM organized as 65,536 words by 16 bits. This device has an automatic power-down feature that significantly reduces power consumption when deselected.

Writing to the device is accomplished by taking Chip Enable (\overline{CE}) and Write Enable (WE) inputs LOW. If Byte Low Enable (BLE) is LOW, then data from I/O pins (I/O₀ through I/O₇), is written into the location specified on the address pins (A₀ through A₁₅). If Byte High Enable (BHE) is LOW, then data from I/O pins (I/O₈ through I/O₁₅) is written into the location specified on the address pins (A₀ through A₁₅).

Reading from the device is accomplished by taking Chip Enable (\overline{CE}) and Output Enable (\overline{OE}) LOW while forcing the Write Enable (WE) HIGH. If Byte Low Enable (BLE) is LOW, then data from the memory location specified by the address pins will appear on I/O₀ to I/O₇. If Byte High Enable (BHE) is LOW, then data from memory will appear on I/O₈ to I/O₁₅. See the truth table at the back of this data sheet for a complete description of read and write modes.

The input/output pins (I/O₀ through I/O₁₅) are placed in a high-impedance state when the device is deselected (\overline{CE} HIGH), the outputs are disabled (\overline{OE} HIGH), the BHE and BLE are disabled (BHE, BLE HIGH), or during a write operation (\overline{CE} LOW, and WE LOW).

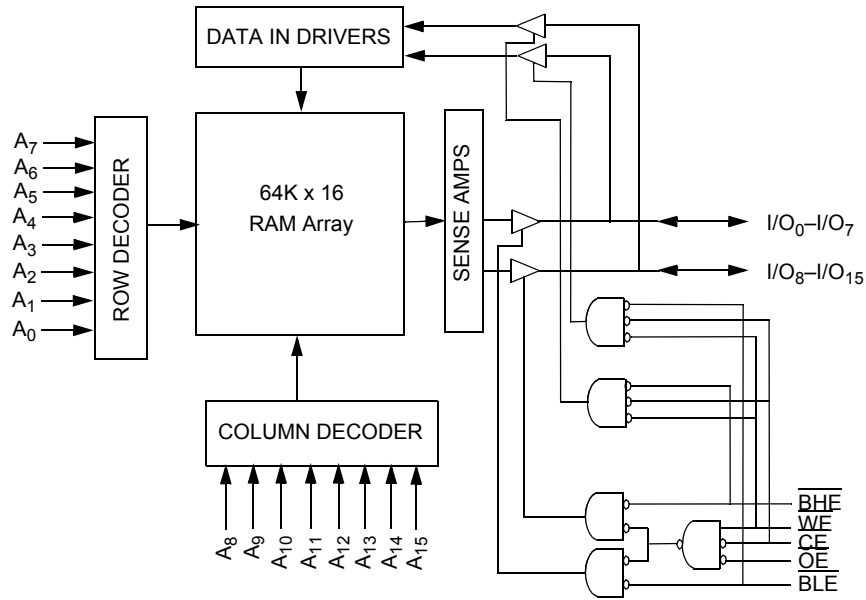
The CY7C1021BNV33 is available in standard 44-pin TSOP Type II and 48-ball mini BGA packages.

For a complete list of related documentation, click [here](#).

Note

1. For guidelines on SRAM system design, please refer to the 'System Design Guidelines' Cypress application note, available on the internet at www.cypress.com.

Logic Block Diagram



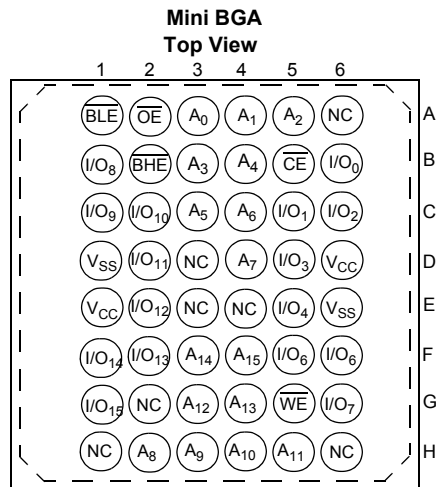
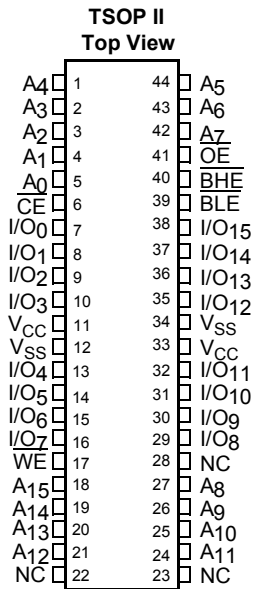
Selection Guide

	-15
Maximum Access Time (ns)	15
Maximum Operating Current (mA)	160
Maximum CMOS Standby Current (mA)	0.5

Contents

Pin Configurations	4	Ordering Information	13
Maximum Ratings	5	Ordering Code Definitions	13
Operating Range	5	Package Diagrams	14
Electrical Characteristics	5	Acronyms	16
Capacitance	5	Document Conventions	16
AC Test Loads and Waveforms	6	Units of Measure	16
Switching Characteristics	7	Document History Page	17
Data Retention Characteristics	8	Sales, Solutions, and Legal Information	18
Data Retention Waveform	8	Worldwide Sales and Design Support	18
Switching Waveforms	9	Products	18
Truth Table	12	PSoC Solutions	18

Pin Configurations



Maximum Ratings

Exceeding maximum ratings may shorten the useful life of the device. User guidelines are not tested.

Storage Temperature -65 °C to +150 °C
 Ambient Temperature with
 Power Applied -55 °C to +125 °C
 Supply Voltage on
 V_{CC} to Relative GND [2] -0.5 V to +4.6 V
 DC Voltage Applied to Outputs
 in High Z State [2] -0.5 V to $V_{CC} + 0.5$ V

DC Input Voltage [2] -0.5 V to $V_{CC} + 0.5$ V
 Current into Outputs (LOW) 20 mA
 Static Discharge Voltage
 (per MIL-STD-883, Method 3015) > 2001 V
 Latch-Up Current > 200 mA

Operating Range

Range	Ambient Temperature	V_{CC}
Industrial	-40 °C to +85 °C	3.3 V ± 10%

Electrical Characteristics

Over the Operating Range

Parameter	Description	Test Conditions	-15		Unit
			Min	Max	
V_{OH}	Output HIGH Voltage	$V_{CC} = \text{Min}, I_{OH} = -4.0$ mA	2.4	–	V
V_{OL}	Output LOW Voltage	$V_{CC} = \text{Min}, I_{OL} = 8.0$ mA	–	0.4	V
V_{IH}	Input HIGH Voltage		2.2	$V_{CC} + 0.3$	V
V_{IL}	Input LOW Voltage [2]		-0.3	0.8	V
I_{IX}	Input Load Current	$GND \leq V_I \leq V_{CC}$	-1	+1	µA
I_{OZ}	Output Leakage Current	$GND \leq V_I \leq V_{CC}$, Output Disabled	-1	+1	µA
I_{CC}	V_{CC} Operating Supply Current	$V_{CC} = \text{Max}, I_{OUT} = 0$ mA, $f = f_{MAX} = 1/t_{RC}$	–	160	mA
I_{SB1}	Automatic CE Power Down Current – TTL Inputs	Max V_{CC} , $\overline{CE} \geq V_{IH}$, $V_{IN} \geq V_{IH}$ or $V_{IN} \leq V_{IL}$, $f = f_{MAX}$	–	40	mA
I_{SB2}	Automatic CE Power Down Current – CMOS Inputs	Max V_{CC} , $\overline{CE} \geq V_{CC} - 0.3$ V, $V_{IN} \geq V_{CC} - 0.3$ V or $V_{IN} \leq 0.3$ V, $f = 0$	–	500	µA

Capacitance

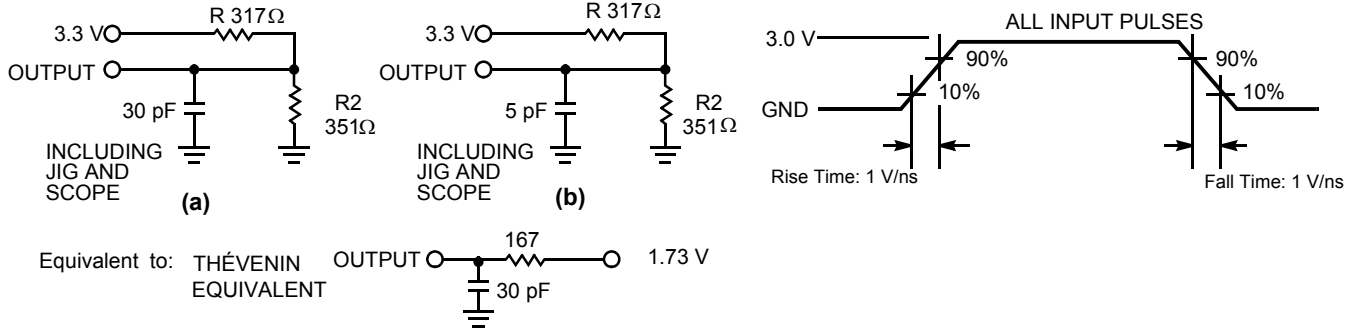
Parameter [3]	Description	Test Conditions	Max	Unit
C_{IN}	Input capacitance	$T_A = 25$ °C, $f = 1$ MHz	6	pF
C_{OUT}	Output capacitance		8	pF

Notes

- Minimum voltage is -2.0 V for pulse durations of less than 20 ns.
- Tested initially and after any design or process changes that may affect these parameters.

AC Test Loads and Waveforms

Figure 1. AC Test Loads and Waveforms



Switching Characteristics

Over the Operating Range

Parameter ^[4]	Description	-15		Unit
		Min	Max	
READ CYCLE				
t_{RC}	Read Cycle Time	15	–	ns
t_{AA}	Address to Data Valid	–	15	ns
t_{OHA}	Data Hold from Address Change	3	–	ns
t_{ACE}	CE LOW to Data Valid	–	15	ns
t_{DOE}	OE LOW to Data Valid	–	7	ns
t_{LZOE}	OE LOW to Low Z	0	–	ns
t_{HZOE}	OE HIGH to High Z ^[5, 6]	–	7	ns
t_{LZCE}	CE LOW to Low Z ^[6]	3	–	ns
t_{HZCE}	CE HIGH to High Z ^[5, 6]	–	7	ns
t_{PU}	CE LOW to Power-Up	0	–	ns
t_{PD}	CE HIGH to Power-Down	–	15	ns
t_{DBE}	Byte Enable to Data Valid	–	7	ns
t_{LZBE}	Byte Enable to Low Z	0	–	ns
t_{HZBE}	Byte Disable to High Z	–	7	ns
WRITE CYCLE ^[7, 8]				
t_{WC}	Write Cycle Time	15	–	ns
t_{SCE}	CE LOW to Write End	10	–	ns
t_{AW}	Address Set-Up to Write End	10	–	ns
t_{HA}	Address Hold from Write End	0	–	ns
t_{SA}	Address Set-Up to Write Start	0	–	ns
t_{PWE}	WE Pulse Width	10	–	ns
t_{SD}	Data Set-Up to Write End	8	–	ns
t_{HD}	Data Hold from Write End	0	–	ns
t_{LZWE}	WE HIGH to Low Z ^[6]	3	–	ns
t_{HZWE}	WE LOW to High Z ^[5, 6]	–	7	ns
t_{BW}	Byte Enable to End of Write	9	–	ns

Notes

- Test conditions assume signal transition time of 3 ns or less, timing reference levels of 1.5 V, input pulse levels of 0 to 3.0 V, and output loading of the specified I_{OL}/I_{OH} and 30-pF load capacitance.
- t_{HZOE} , t_{HZBE} , t_{HZCE} , and t_{HZWE} are specified with a load capacitance of 5 pF as in part (b) of [Figure 1 on page 6](#). Transition is measured ± 500 mV from steady-state voltage.
- At any given temperature and voltage condition, t_{HZCE} is less than t_{LZCE} , t_{HZOE} is less than t_{LZOE} , and t_{HZWE} is less than t_{LZWE} for any given device.
- The internal write time of the memory is defined by the overlap of CE LOW, WE LOW and BHE / BLE LOW. CE, WE and BHE / BLE must be LOW to initiate a write, and LOW to HIGH transition on any of these signals can terminate the write. The input data set-up and hold timing should be referenced to the leading edge of the signal that terminates the write.
- The minimum write cycle time for Write Cycle No. 3 (\overline{WE} controlled, \overline{OE} LOW) should be equal to the sum of t_{SD} and t_{HZWE} .

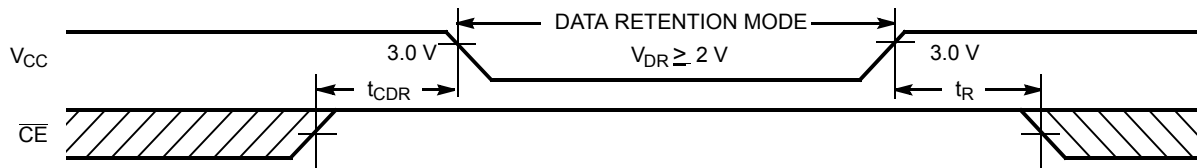
Data Retention Characteristics

Over the Operating Range (L version only)

Parameter	Description	Conditions ^[9]	Min	Max	Unit
V_{DR}	V_{CC} for Data Retention		2.0	–	V
I_{CCDR}	Data Retention Current	$V_{CC} = V_{DR} = 2.0\text{ V}$, $CE \geq V_{CC} - 0.3\text{ V}$, $V_{IN} \geq V_{CC} - 0.3\text{ V}$ or $V_{IN} \leq 0.3\text{ V}$	–	100	μA
$t_{CDR}^{[10]}$	Chip Deselect to Data Retention Time		0	–	ns
$t_R^{[11]}$	Operation Recovery Time		15	–	ns

Data Retention Waveform

Figure 2. Data Retention Waveform



Notes

9. No input may exceed $V_{CC} + 0.5\text{ V}$.
10. Tested initially and after any design or process changes that may affect these parameters.
11. $t_r \leq 3\text{ ns}$ for the -12 and -15 speeds. $t_r \leq 5\text{ ns}$ for the -20 and slower speeds.

Switching Waveforms

Figure 3. Read Cycle No. 1 [12, 13]

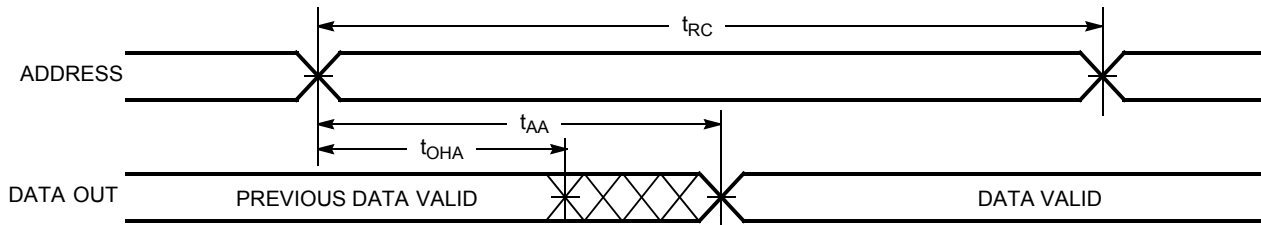
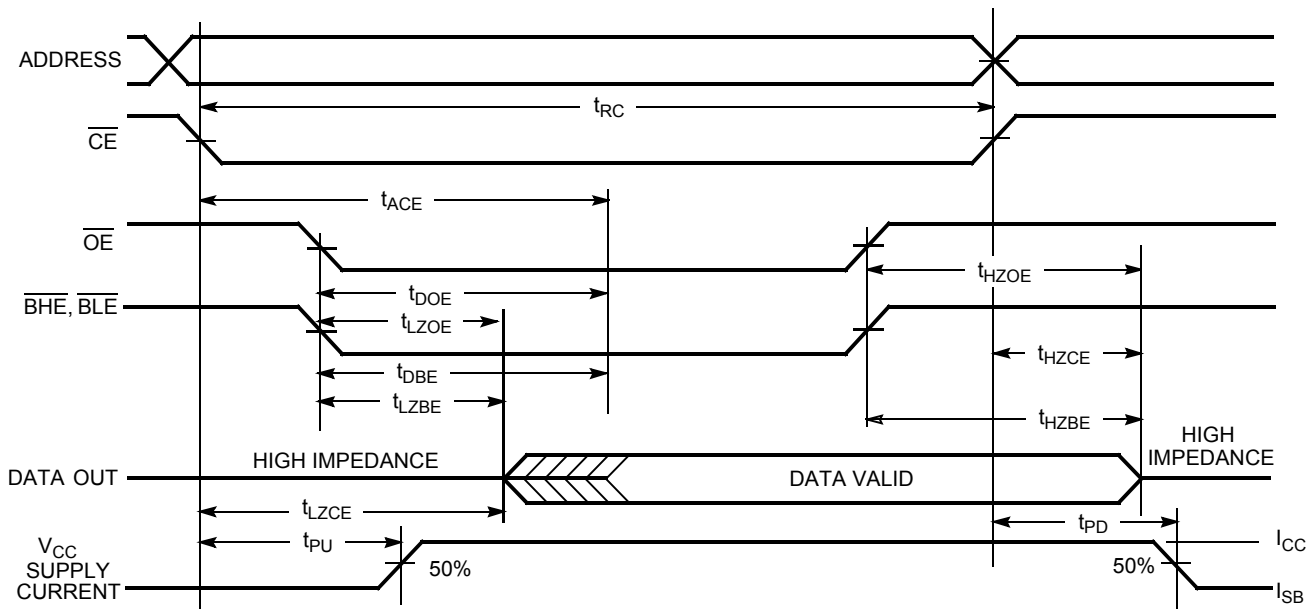


Figure 4. Read Cycle No. 2 (\overline{OE} Controlled) [13, 14]



Notes

- 12. Device is continuously selected. \overline{OE} , \overline{CE} , \overline{BHE} and/or \overline{BLE} = V_{IL} .
- 13. \overline{WE} is HIGH for read cycle.
- 14. Address valid prior to or coincident with \overline{CE} transition LOW.

Switching Waveforms(continued)

Figure 5. Write Cycle No. 1 ($\overline{\text{CE}}$ Controlled) [15, 16, 17]

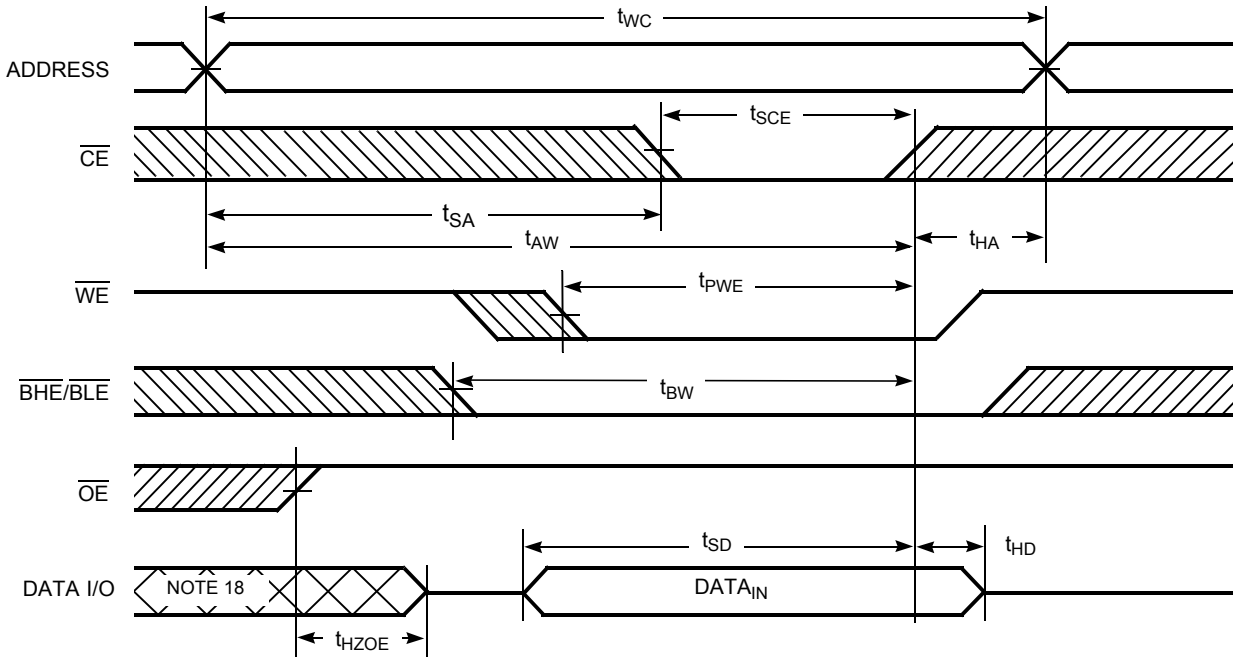
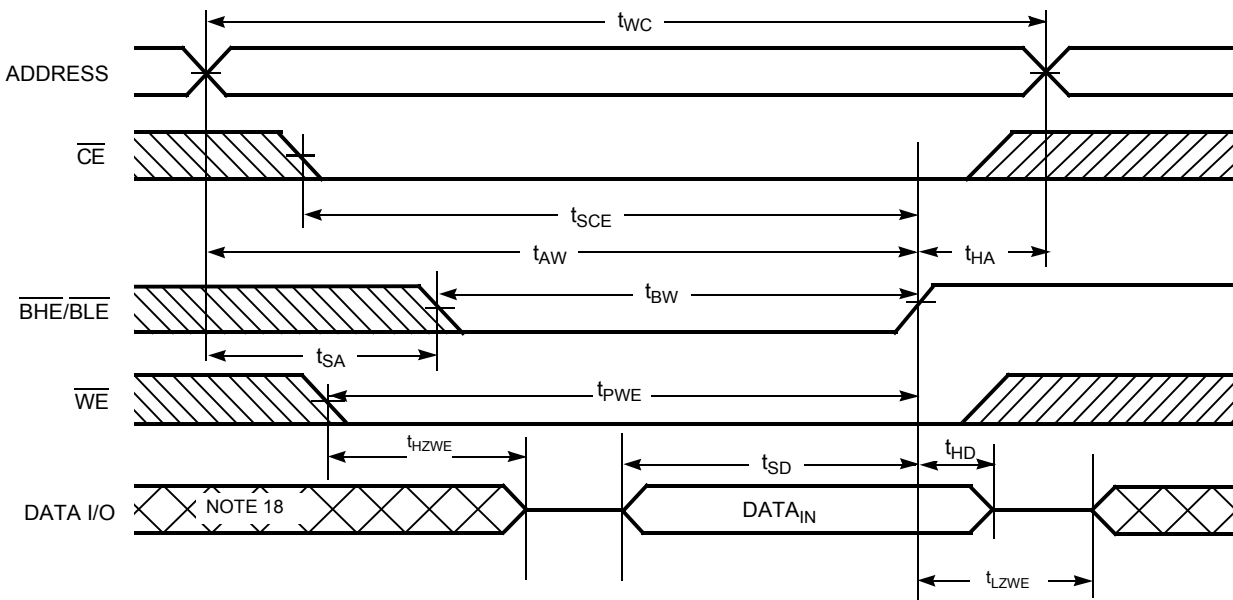


Figure 6. Write Cycle No. 2 ($\overline{\text{BLE}}$ or $\overline{\text{BHE}}$ Controlled) [15, 16, 17]

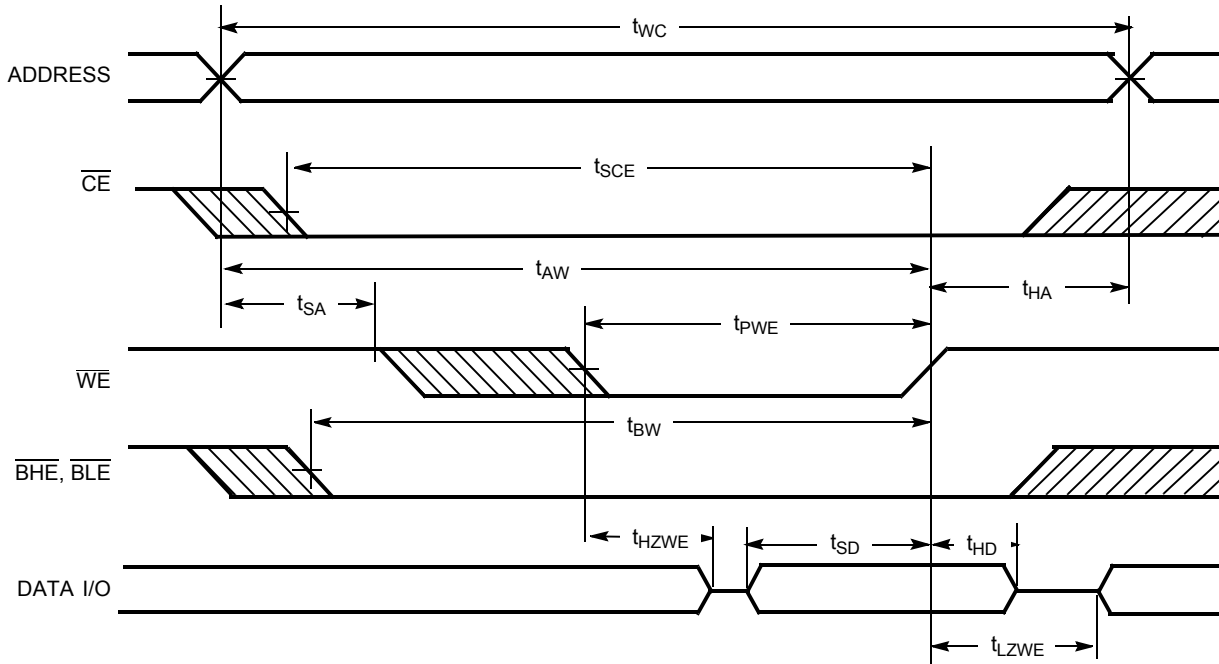


Notes

- 15. The internal write time of the memory is defined by the overlap of $\overline{\text{WE}}$, $\overline{\text{CE}} = V_{IL}$, $\overline{\text{BHE}}$, $\overline{\text{BLE}}$, or both = V_{IL} . All signals must be active to initiate a write and any of these signals can terminate a write by going inactive. The data input setup and hold timing must be referenced to the edge of the signal that terminates the write.
- 16. Data I/O is high impedance if $\overline{\text{OE}}$ or $\overline{\text{BHE}}$ and/or $\overline{\text{BLE}} = V_{IH}$.
- 17. If $\overline{\text{CE}}$ goes HIGH simultaneously with $\overline{\text{WE}}$ going HIGH, the output remains in a high-impedance state.
- 18. During this period, the I/Os are in output state. Do not apply input signals.

Switching Waveforms(continued)

Figure 7. Write Cycle No. 3 (\overline{WE} Controlled, \overline{OE} LOW) [19, 20, 21]



Notes

19. The internal write time of the memory is defined by the overlap of \overline{WE} , $\overline{CE} = V_{IL}$, \overline{BHE} , \overline{BLE} , or both = V_{IL} . All signals must be active to initiate a write and any of these signals can terminate a write by going inactive. The data input setup and hold timing must be referenced to the edge of the signal that terminates the write.
20. If \overline{CE} goes HIGH simultaneously with \overline{WE} going HIGH, the output remains in a high-impedance state.
21. The minimum write cycle pulse width should be equal to the sum of t_{SD} and t_{HZWE} .

Truth Table

\overline{CE}	\overline{OE}	\overline{WE}	\overline{BLE}	\overline{BHE}	I/O ₀ –I/O ₇	I/O ₈ –I/O ₁₅	Mode	Power
H	X	X	X	X	High Z	High Z	Power-Down	Standby (I _{SB})
L	L	H	L	L	Data Out	Data Out	Read - All bits	Active (I _{CC})
			L	H	Data Out	High Z	Read - Lower bits only	Active (I _{CC})
			H	L	High Z	Data Out	Read - Upper bits only	Active (I _{CC})
L	X	L	L	L	Data In	Data In	Write - All bits	Active (I _{CC})
			L	H	Data In	High Z	Write - Lower bits only	Active (I _{CC})
			H	L	High Z	Data In	Write - Upper bits only	Active (I _{CC})
L	H	H	X	X	High Z	High Z	Selected, Outputs Disabled	Active (I _{CC})
L	X	X	H	H	High Z	High Z	Selected, Outputs Disabled	Active (I _{CC})

Ordering Information

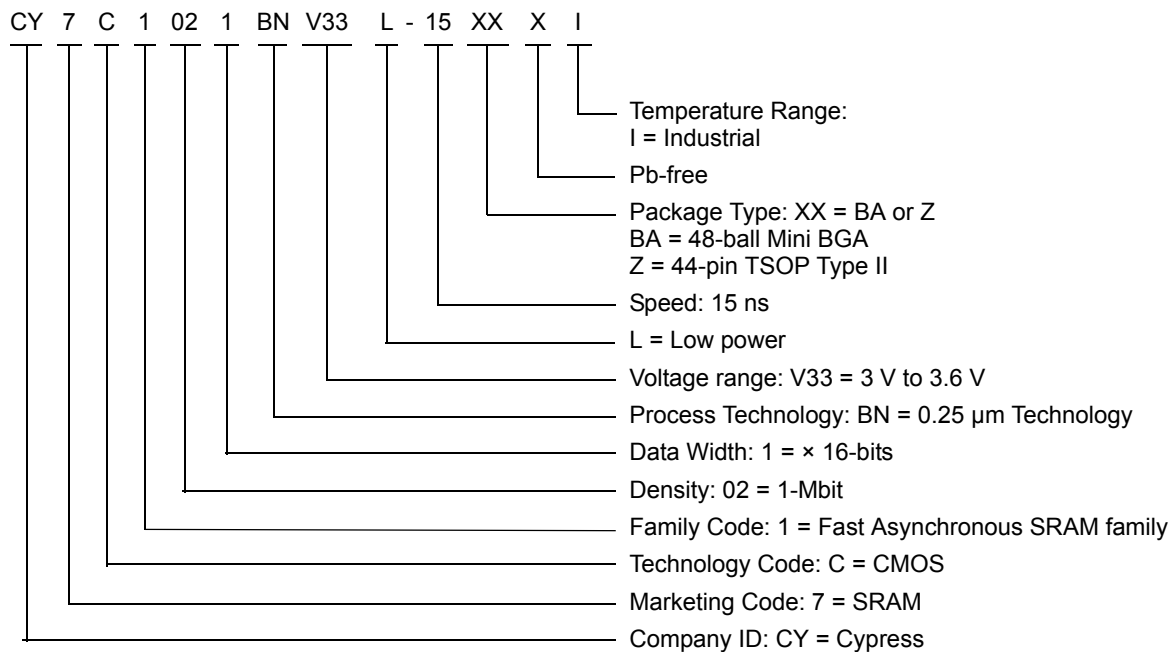
Cypress offers other versions of this type of product in many different configurations and features. The following table contains only the list of parts that are currently available. For a complete listing of all options, visit the Cypress website at <http://www.cypress.com> and refer to the product summary page at <http://www.cypress.com/products> or contact your local sales representative.

Cypress maintains a worldwide network of offices, solution centers, manufacturer's representatives and distributors. To find the office closest to you, visit us at <http://www.cypress.com/go/datasheet/offices>.

Speed (ns)	Ordering Code	Package Diagram	Package Type	Operating Range
15	CY7C1021BNV33L-15BAI	51-85096	48-ball Mini BGA (7 mm × 7 mm)	Industrial
	CY7C1021BNV33L-15ZXI	51-85087	44-pin TSOP Type II (Pb-free)	

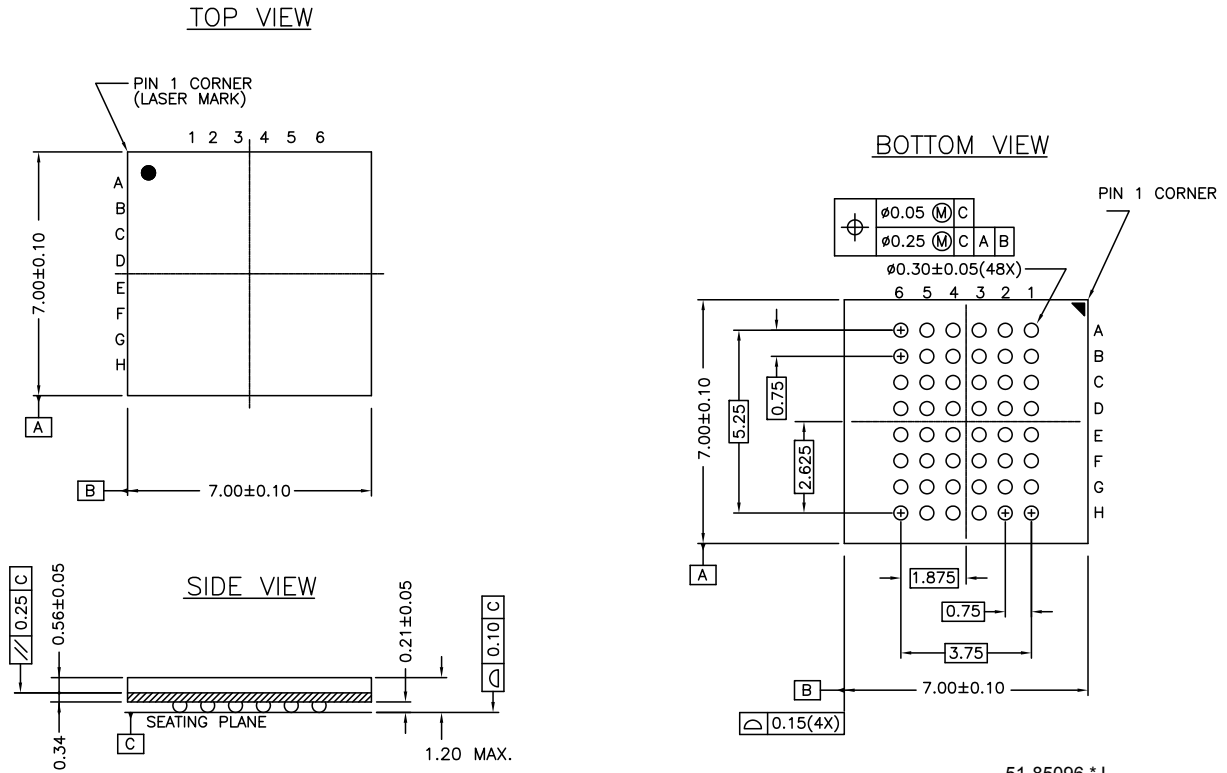
Please contact local sales representative regarding availability of these parts.

Ordering Code Definitions



Package Diagrams

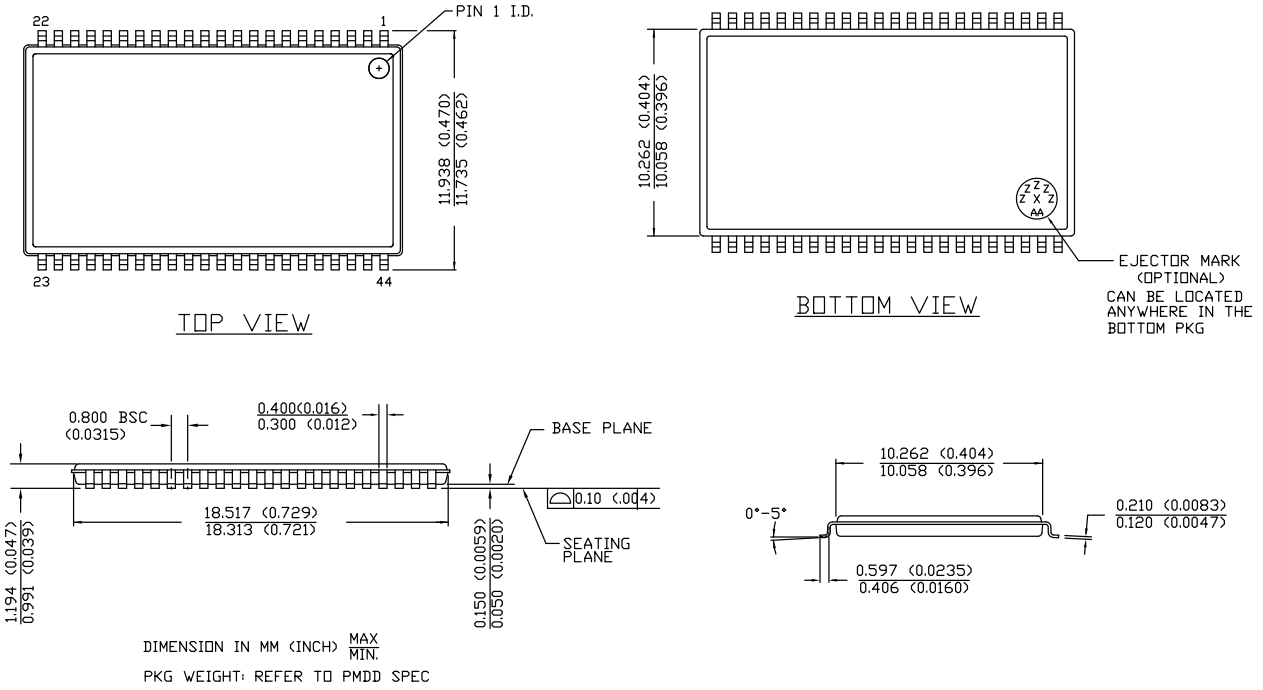
Figure 8. 48-ball FBGA (7 mm × 7 mm × 1.2 mm) BA48 Package Outline, 51-85096



51-85096 *J

Package Diagrams(continued)

Figure 9. 44-pin TSOP Z44-II Package Outline, 51-85087



51-85087 *E

Acronyms

Acronym	Description
BGA	Ball Grid Array
$\overline{\text{CE}}$	Chip Enable
CMOS	Complementary Metal Oxide Semiconductor
FBGA	Fine-pitch Ball Grid Array
I/O	Input/Output
$\overline{\text{OE}}$	Output Enable
SRAM	Static Random Access Memory
TSOP	Thin Small-Outline Package
TTL	Transistor-Transistor Logic
$\overline{\text{WE}}$	Write Enable

Document Conventions

Units of Measure

Symbol	Unit of Measure
°C	degree Celsius
MHz	megahertz
μA	microampere
μs	microsecond
mA	milliampere
mm	millimeter
mW	milliwatt
ns	nanosecond
Ω	ohm
%	percent
pF	picofarad
V	volt
W	watt

Document History Page

Document Title: CY7C1021BNV33, 64 K × 16 Static RAM Document Number: 001-06433				
Rev.	ECN No.	Issue Date	Orig. of Change	Description of Change
**	423847	See ECN	NXR	New data sheet.
*A	2897061	03/22/10	AJU	Updated Ordering Information (Removed obsolete parts from ordering information table). Updated Package Diagrams .
*B	3109897	12/14/2010	AJU	Added Ordering Code Definitions .
*C	3103073	03/08/2011	PRAS	Updated Package Diagrams . Added Acronyms and Units of Measure . Updated in new template.
*D	3403051	10/12/2011	AJU	Updated Ordering Information (Removed prune part number CY7C1021BNV33L-15VXI). Updated Package Diagrams .
*E	3937949	03/19/2013	MEMJ	Removed all references of 400-mil SOJ package in the document. Updated Switching Characteristics : Updated Note 7. Updated Switching Waveforms : Updated Figure 5 , Figure 6 . Added Note 15, 18 and referred the same notes in Figure 5 , Figure 6 . Referred Note 16, 17 in Figure 6 . Referred Note 19, 20 in Figure 7 . Updated Package Diagrams : spec 51-85087 – Changed revision from *D to *E.
*F	4578447	01/16/2015	MEMJ	Added related documentation hyperlink in page 1. Updated Figure 8 in Package Diagrams (spec 51-85096 *I to *J). Added Note 8 in Switching Characteristics . Added note reference 8 in the Switching Characteristics table. Added Note 21 in Switching Waveforms . Added note reference 21 in Figure 7 .

Sales, Solutions, and Legal Information

Worldwide Sales and Design Support

Cypress maintains a worldwide network of offices, solution centers, manufacturer's representatives, and distributors. To find the office closest to you, visit us at [Cypress Locations](#).

Products

Automotive	cypress.com/go/automotive
Clocks & Buffers	cypress.com/go/clocks
Interface	cypress.com/go/interface
Lighting & Power Control	cypress.com/go/powerpsoc
Memory	cypress.com/go/memory
PSoC	cypress.com/go/psoc
Touch Sensing	cypress.com/go/touch
USB Controllers	cypress.com/go/USB
Wireless/RF	cypress.com/go/wireless

PSoC[®] Solutions

psoc.cypress.com/solutions
PSoC 1 | PSoC 3 | PSoC 4 | PSoC 5LP

Cypress Developer Community

[Community](#) | [Forums](#) | [Blogs](#) | [Video](#) | [Training](#)

Technical Support

cypress.com/go/support

© Cypress Semiconductor Corporation, 2006-2015. The information contained herein is subject to change without notice. Cypress Semiconductor Corporation assumes no responsibility for the use of any circuitry other than circuitry embodied in a Cypress product. Nor does it convey or imply any license under patent or other rights. Cypress products are not warranted nor intended to be used for medical, life support, life saving, critical control or safety applications, unless pursuant to an express written agreement with Cypress. Furthermore, Cypress does not authorize its products for use as critical components in life-support systems where a malfunction or failure may reasonably be expected to result in significant injury to the user. The inclusion of Cypress products in life-support systems application implies that the manufacturer assumes all risk of such use and in doing so indemnifies Cypress against all charges.

Any Source Code (software and/or firmware) is owned by Cypress Semiconductor Corporation (Cypress) and is protected by and subject to worldwide patent protection (United States and foreign), United States copyright laws and international treaty provisions. Cypress hereby grants to licensee a personal, non-exclusive, non-transferable license to copy, use, modify, create derivative works of, and compile the Cypress Source Code and derivative works for the sole purpose of creating custom software and or firmware in support of licensee product to be used only in conjunction with a Cypress integrated circuit as specified in the applicable agreement. Any reproduction, modification, translation, compilation, or representation of this Source Code except as specified above is prohibited without the express written permission of Cypress.

Disclaimer: CYPRESS MAKES NO WARRANTY OF ANY KIND, EXPRESS OR IMPLIED, WITH REGARD TO THIS MATERIAL, INCLUDING, BUT NOT LIMITED TO, THE IMPLIED WARRANTIES OF MERCHANTABILITY AND FITNESS FOR A PARTICULAR PURPOSE. Cypress reserves the right to make changes without further notice to the materials described herein. Cypress does not assume any liability arising out of the application or use of any product or circuit described herein. Cypress does not authorize its products for use as critical components in life-support systems where a malfunction or failure may reasonably be expected to result in significant injury to the user. The inclusion of Cypress' product in a life-support systems application implies that the manufacturer assumes all risk of such use and in doing so indemnifies Cypress against all charges.

Use may be limited by and subject to the applicable Cypress software license agreement.

X-ON Electronics

Largest Supplier of Electrical and Electronic Components

Click to view similar products for [SRAM](#) category:

Click to view products by [Cypress](#) manufacturer:

Other Similar products are found below :

[5962-8855206XA](#) [CY6116A-35DMB](#) [CY7C128A-45DMB](#) [CY7C1461KV33-133AXI](#) [CY7C199-45LMB](#) [CYDM128B16-55BVXIT](#)
[GS8161Z36DD-200I](#) [GS88237CB-200I](#) [R1QDA7236ABB-20IB0](#) [RMLV0408EGSB-4S2#AA0](#) [IS64WV3216BLL-15CTLA3](#)
[IS66WVE4M16ECLL-70BLI](#) [PCF8570P](#) [K6T4008C1B-GB70](#) [CY7C1353S-100AXC](#) [AS6C8016-55BIN](#) [515712X](#) [IS62WV51216EBLL-](#)
[45BLI](#) [IS63WV1288DBLL-10HLI](#) [IS66WVE2M16ECLL-70BLI](#) [47L16-E/SN](#) [IS66WVE4M16EALL-70BLI](#) [IS62WV6416DBLL-45BLI](#)
[IS61WV102416DBLL-10TLI](#) [CY7C1381KV33-100AXC](#) [CY7C1381KV33-100BZXI](#) [CY7C1373KV33-100AXC](#) [CY7C1381KVE33-133AXI](#)
[CY7C1382KV33-167AXC](#) [CY7C4042KV13-933FCXC](#) [8602501XA](#) [5962-3829425MUA](#) [5962-8855206YA](#) [5962-8866201XA](#) [5962-](#)
[8866201YA](#) [5962-8866204TA](#) [5962-8866206MA](#) [5962-8866207NA](#) [5962-8866208UA](#) [5962-8872502XA](#) [5962-8959836MZA](#) [5962-](#)
[8959841MZA](#) [5962-9062007MXA](#) [5962-9161705MXA](#) [N08L63W2AB7I](#) [7130LA100PDG](#) [GS882Z18CD-150I](#) [GS81284Z36B-250I](#)
[M38510/28902BVA](#) [IS62WV12816ALL-70BLI](#)