

7 6 5 4 3 2 1

E

E

D

D

C

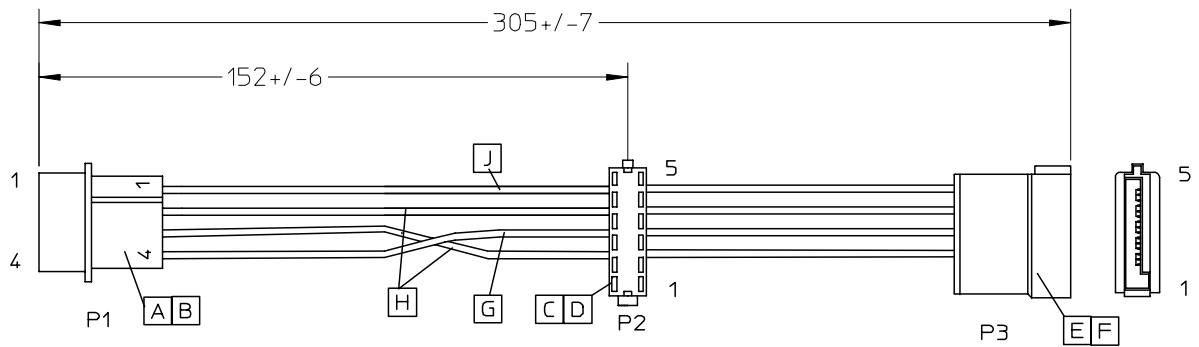
C

B

B

A

A



PIN ASSIGNMENT			
P1	P2	P3	WIRE COLOR
	1	1	N.C
3	2	2	BLACK
4	3	3	RED
2	4	4	BLACK
1	5	5	YELLOW

J	UL1007 #18 YEL 172000514		276REF
H	UL1007 #18 BLK 172000512		552REF
G	UL1007 #18 RED 172000513		276REF
F	S-ATA CONTACT 675810000	4 PCS	
E	S-ATA HOUSING 675820000	1 PCS	
D	IDT COVER 679260041	1 PCS	
C	IDT S-ATA 679260015	1 PCS	
B	4P CONTACT 887899491	4 PCS	
A	4P HOUSING 887899490	1 PCS	
ITEM	DESCRIPTION	Q'TY	L

NOTE: THIS PRODUCT MUST MEET MOLEX ROHS COMPLIANCE.

ENTER DESCRIPTION EC NO: DG2006-0074 DRWN: 2005/10/19 CHKD: DQLUO 2005/10/19 APPR: DQLUO 2005/10/20	QUALITY SYMBOLS ▽=0 ◻=0	GENERAL TOLERANCES (UNLESS SPECIFIED)		DIMENSION STYLE MM ONLY		SCALE ---	DESIGN UNITS METRIC	THIRD ANGLE PROJECTION		
			mm	INCH	DRAWN BY	DATE	TITLE			
		4 PLACES	±---	±---	JLIU13	2005/10/07	SATA POWER CBL 15 PIN POWER F TO 15 PIN POWER F + 4 PIN M 6IN			
		3 PLACES	±---	±---	CHECKED BY	DATE	Molex MOLEX INCORPORATED			
			2 PLACES	±---	±---	DQLUO	2005/10/07			
			1 PLACE	±---	±---	APPROVED BY	DATE			
			ANGULAR ±---°		BORON	2005/10/07				
			DRAFT WHERE APPLICABLE MUST REMAIN WITHIN DIMENSIONS		MATERIAL NO.	DOCUMENT NO.	SHEET NO.			
					688090004	SD-68809-004	1 OF 1			
					SIZE A 4	THIS DRAWING CONTAINS INFORMATION THAT IS PROPRIETARY TO MOLEX INCORPORATED AND SHOULD NOT BE USED WITHOUT WRITTEN PERMISSION				

6 5 4 3 2 1

X-ON Electronics

Largest Supplier of Electrical and Electronic Components

Click to view similar products for [Computer Cables](#) category:

Click to view products by [Molex](#) manufacturer:

Other Similar products are found below :

[68809-0004](#) [8F36-AAA105-1.00](#) [IB63](#) [IB68](#) [CBK-11-290K-00](#) [ACL-10568-5](#) [426090200-3](#) [427522400-3](#) [IB76](#) [CB-3PSATA-RS](#)
[426091300-3](#) [48000023](#) [10114976-P015002LF](#) [88761-6101](#) [NT631C-CN321-EU](#) [1700009397](#) [MIKROE-2092](#) [PCL-10488-2E](#) [1700009405](#)
[PS/2 Cable](#) [AXXSTFPCBLKIT](#) [NT31C-CN323-EU](#) [FWAX-PK1-51](#) [68801-1905](#) [2404774](#) [SATA Power to B4P cable](#) [68801-0630](#) [68801-](#)
[3612](#) [68801-3618](#) [0685610020](#) [0745063002](#) [0745460813](#) [0745461605](#) [0745470304](#) [0887505318](#) [0887511310](#) [0DT60002](#) [C-PS2WG/5](#) [C-](#)
[PS2WW/2](#) [C-PS2WW/3](#) [73220861](#) [CV0002](#) [CV0005](#) [CV0006](#) [CV0016](#) [CV0018](#) [74546-0402](#) [74546-1601](#) [74546-1603](#) [AU0002E](#)