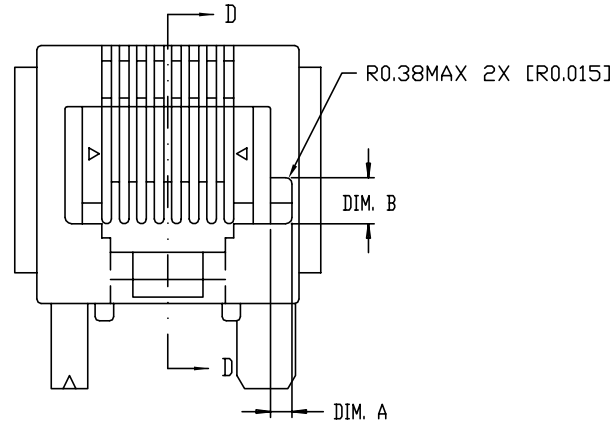
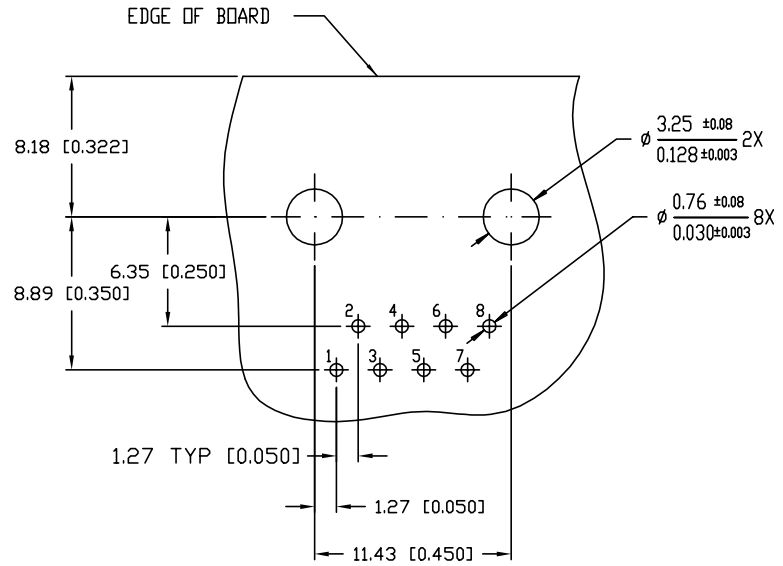
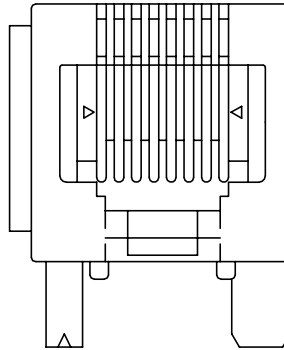


mat'l. code		surface ISO1302 ✓		tolerance ISO1101 ISO406		projection ISO 1101		product family MOD JACK	
t/tecn nodr		date		tolerances unless otherwise specified		mm		title	
T	ECR S00022 BC LOH	26JAN.00		angle		0.X±0.3		8 POS HORIZONTAL P.C.B. MOD JACK ASSY	
U	ECR V10424 BLNOWER	12FEB.01		0°±2'		0.XX±0.15			
V	N05-0002 YS	06JAN.01		0°±2'		0.XXX±0.05			
W	N08-0074 SH MMD	30APR.08		dr	JANET	15JUN.98		dwg no	
X	ELX-N-010667 SH MMD	13MAR.12		enr	JANET	15JUN.98		sheet 1 of 3	
				chr	M CHENG	19FEB.01		size	
				appd	M CHENG	19FEB.01		A4	
sheet	revision	x	x	x				type Product Customer Drawing	
index	sheet	1	2	3					

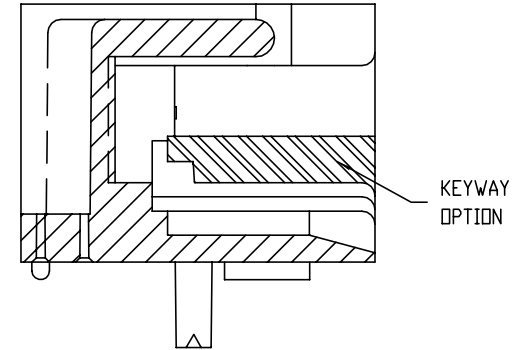
RECOMMENDED BOARD LAYOUT
VIEWED FROM TOP



KEYED STYLE



LEFT EAR MOUNTING



SECTION D-D

NOTE :

- 1 THIS PRODUCT MEETS EUROPEAN UNION DIRECTIVES AND OTHER COUNTRY REGULATIONS AS DESCRIBED IN GS-22-008.
- 2 THE HOUSING WILL WITHSTAND EXPOSURE TO 260°C PEAK TEMPERATURE FOR 10 SECONDS IN A WAVE SOLDER APPLICATION WITH A 1.60mm MINIMUM THICK CIRCUIT BOARD.
- 3 IF LF P/N PACKAGING MEETS GS-14-920 SPECIFICATION.

mat'l. code		surface		tolerance		projection		product family	
l t r e c n n o d r		ISO1302 ✓		ISO1101 ISO406				MOD JACK	
date		tolerances unless otherwise specified		mm		title		8 POS HORIZONTAL	
T	ECR S00022 BC LOH 26JAN.00	0.X±0.3		scale 2.0		P.C.B. MOD JACK ASSY		dwg no	
U	ECR V10424 ALBROWER 12FEB.01	0.XX±0.15		sheet 2 of 3		size		A4	
V	N05-0002 YS 06JAN.01	0'±2"		0.XXX±0.05		FCI		68899	
W	N08-0074 SH MMD 30APR.08	dr		JANET		15JUN.98		type Product Customer Drawing	
X	ELX-N-010667 SH MMD 13MAR.12	enr		JANET		15JUN.98			
		chr		M CHENG		19FEB.01			
		appd		M CHENG		19FEB.01			
sheet index	revision sheet								



PRODUCT NO.	DIM. A	DIM. B	STYLE	POSITIONS LOADED	CONTACT PLATING	HOUSING COLOR	MOUNTING EARS	REMARKS
68899-001 -001LF	-	-	UNKEYED	ALL	0.76um /30*u GXT	BLACK	YES	-
-002 -002LF	1.25 /0.050	2.69 /0.106	KEYED	ALL	5u' Au + high performance lubricant	BLACK	YES	-
-003 -003LF	-	-	UNKEYED	2,3,4,5,6,7	5u' Au + high performance lubricant	BLACK	YES	-
-004 -004LF	-	-	UNKEYED	ALL	5u' Au + high performance lubricant	BLACK	NO	-
-004RLF	-	-	UNKEYED	ALL	5u' Au + high performance lubricant	RED	NO	-
-004GLF	-	-	UNKEYED	ALL	5u' Au + high performance lubricant	GREEN	NO	-
-005 -005LF	-	-	UNKEYED	ALL	5u' Au + high performance lubricant	GRAY	NO	-
-006 -006LF	-	-	UNKEYED	ALL	5u' Au + high performance lubricant	BLACK	YES	-
-007 -007LF	1.25 /0.050	2.69 /0.106	KEYED	ALL	5u' Au + high performance lubricant	BLACK	NO	-
-008 -008LF	-	-	UNKEYED	ALL	5u' Au + high performance lubricant	BLACK	LEFT ONLY	-
-009 -009LF	-	-	UNKEYED	ALL	5u' Au + high performance lubricant	BLACK	RIGHT ONLY	-
-010 -010LF	-	-	UNKEYED	ALL	1,27um /50*u GXT	BLACK	YES	-
-011 -011LF	-	-	UNKEYED	1,4,5,8	5u' Au + high performance lubricant	BLACK	YES	-
-012 -012LF	-	-	UNKEYED	ALL	5u' Au + high performance lubricant	BLACK	NO	-
-013 -013LF	-	-	UNKEYED	ALL	1,27um /50*u GXT	BLACK	NO	-
-014 -014LF	1.25 /0.050	2.69 /0.106	KEYED	ALL	5u' Au + high performance lubricant	BLACK	NO	-
-015 -015LF	1.25 /0.050	2.69 /0.106	KEYED	ALL	1,27um /50*u GXT	BLACK	NO	-

LEAD FREE PRODUCT NO.

mat'l. code		surface ISO1302 <input checked="" type="checkbox"/>		tolerance ISO1101 ISO406		projection 		product family MOD JACK	
l tr ecn nodr date		tolerances unless otherwise specified		mm		title		8 POS HORIZONTAL P.C.B. MOD JACK ASSY	
T	ECR S00022 BC LOH	26	JAN.00	angle	0.X±0.3	scale 2.0		dwg no	
U	ECR V10424	12	FEB.01	0°±2'	0.XX±0.15			sheet 3 of 3	
V	N05-0002	YS	06	JAN.01	0.XXX±0.05			size	
W	N08-0074	SH MMD	30	APR.08	dr	JANET	15	JUN.98	FCI
X	ELX-N-010667	SH MMD	13	MAR.12	enr	JANET	15	JUN.98	
					chr	M CHENG	19	FEB.01	
					appd	M CHENG	19	FEB.01	type Product Customer Drawing
sheet index	revision sheet								

X-ON Electronics

Largest Supplier of Electrical and Electronic Components

Click to view similar products for [Modular Connectors](#) / [Ethernet Connectors](#) category:

Click to view products by [Amphenol](#) manufacturer:

Other Similar products are found below :

[RJE231881317T](#) [MP1010RX-1000](#) [MP44RX-1000](#) [GAX-3-66](#) [GAX-8-62](#) [93606-0253](#) [GD-A-44](#) [GDCX-PA-66-50](#) [GDCX-PN-64](#) [GDCX-PN-66](#) [GDCX-PN-66-50](#) [GDLX-A-66](#) [GDLX-A-88](#) [GDLX-N-66](#) [GDLX-S-88K](#) [GDTX-S-88-50](#) [GDX-PA-1010](#) [GLX-A-44](#) [GLX-N-1010M-BLK](#) [GLX-N-44M](#) [GLX-S-88M-BLK](#) [GMX-N-1010](#) [GMX-S-1010](#) [GMX-S-66](#) [GMX-SMT2-N-1010](#) [GMX-SMT2-N-64-50](#) [GMX-SMT2-S6-88](#) [GMX-SMT4-N-88](#) [GPX-2-64](#) [GRT1-BT1-5](#) [GSGX-N-2-88](#) [GSX-NS2-88-3.05](#) [GSX-NS2-88-3.05-50](#) [GSX-NS-88-3.05-30](#) [GSX-NS-88-3.05-50](#) [GSX-NS-88-3.68](#) [1-1775629-2](#) [GWLX-S-88-GR](#) [GWLX-S9-88-YG](#) [1300500326](#) [1300500227](#) [1300530003](#) [1300570002](#) [1324640-4](#) [RJ11FTVC2G](#) [RJ11FTVC2N](#) [RJFTVX2SA1G](#) [132764-001](#) [1400000](#) [1413176](#)