

DIESES ZEICHNUNGSDOKUMENT WIRD DURCH TE INCORPORATED KONTROLLIERT. AENDERUNGEN, DIE DEM TECHNISCHEN FORTSCHRITT DIENEN, SIND VORBEHALTEN. DEN JEWELNS LETZTUELTIGEN AENDERUNGSSTAND ERFAHREN SIE AUF ANFRAGE.

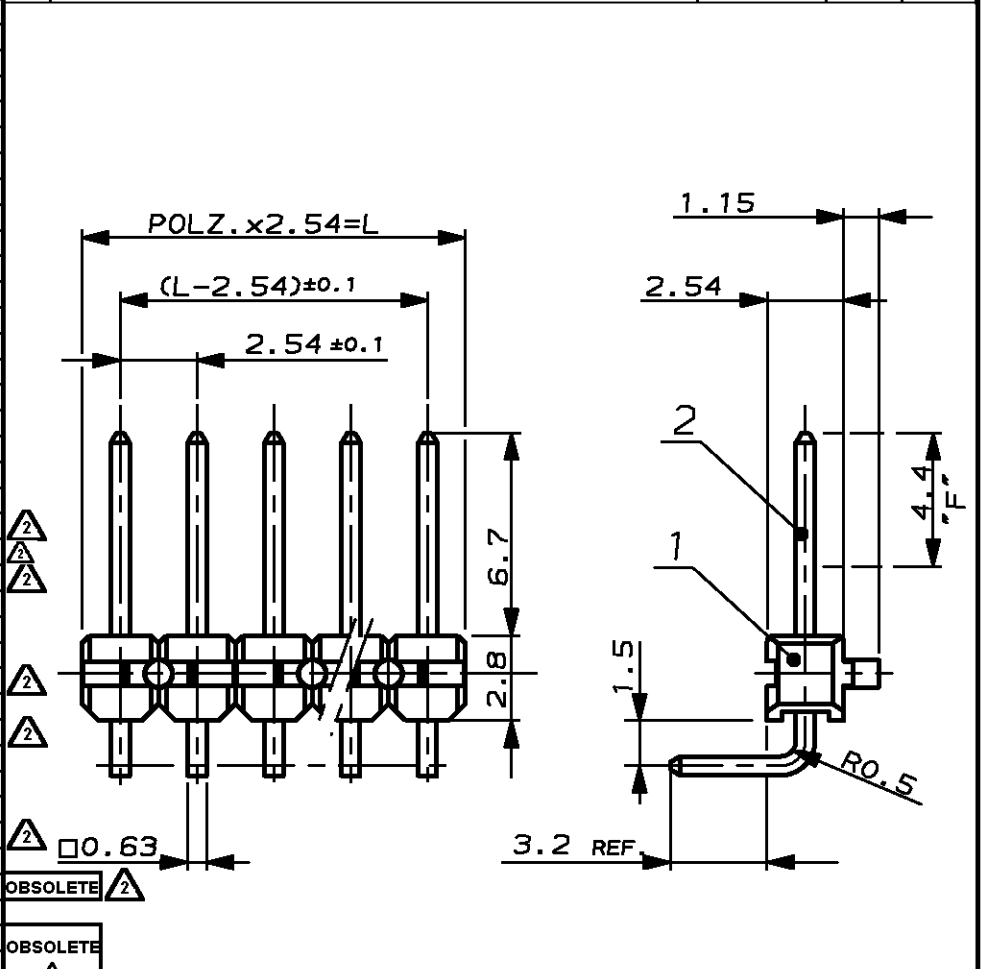
THIS DRAWING IS A CONTROLLED DOCUMENT FOR TE INCORPORATED. IT IS SUBJECT TO CHANGE AND THE CONTROLLING ENGINEERING ORGANIZATION SHOULD BE CONTACTED FOR THE LATEST REVISION.

RELEASED FOR PUBLICATION KW 39/96
 FREI FUER VEROEFFENTLICHUNG
 VERTRAGLICHE UNVEROEFFENTLICHTE ZEICHNUNG.
 BY TE INCORPORATED. ALL RIGHTS RESERVED. ALLE RECHTE VORBEHALTEN.
 COPYRIGHT 1975

| | | |
|----------------------------|-----|------|
| MATED WITH: PASSEND ZU: | LOC | DIST |
| - | AI | - |
| PROJEKT NR.: E 75-9231 | | |

| REVISIONS AENDERUNGEN DESCRIPTION BESCHREIBUNG | | DATE | DWN | APVD |
|---|-----|----------|-------|------|
| P | LTR | | | |
| | B | 23.09.96 | STEIN | - |
| | C | 10.07.97 | ZITZ | - |
| | U1 | 02.06.06 | HESS | MS |
| | U2 | 01FEB10 | KK | HMR |
| | U3 | 05FEB11 | KK | HMR |

| POLZ. | L±0.5 | BESTELL-NR. |
|-------|--------|---------------|
| - | - | - |
| 2 | 5.08 | 825 437 -2 |
| 3 | 7.62 | -3 |
| 4 | 10.16 | -4 |
| 5 | 12.70 | -5 |
| 6 | 15.24 | -6 |
| 7 | 17.78 | -7 |
| 8 | 20.32 | -8 |
| 9 | 22.86 | -9 |
| 10 | 25.40 | 1- |
| 11 | 27.94 | 1- |
| 12 | 30.48 | 1- |
| 13 | 33.02 | 1- |
| 14 | 35.56 | 1- |
| 15 | 38.10 | 1- |
| 16 | 40.64 | 1- |
| 17 | 43.18 | 1- |
| 18 | 45.72 | 1- |
| 19 | 48.26 | 1- |
| 20 | 50.80 | 2- |
| 21 | 53.34 | 2- |
| 22 | 55.88 | 2- |
| 23 | 58.42 | 2- |
| 24 | 60.96 | 2- |
| 25 | 63.50 | 2- |
| 26 | 66.04 | 2- |
| 27 | 68.58 | 2- |
| 28 | 71.12 | 2- |
| 29 | 73.66 | 2- |
| 30 | 76.20 | 3- |
| 31 | 78.74 | 3- |
| 32 | 81.28 | 3- |
| 33 | 83.82 | 3- |
| 34 | 86.36 | 3- |
| 35 | 88.90 | 3- |
| 36 | 91.44 | 3- |
| 37 | 93.98 | 3- |
| 38 | 96.52 | 3- |
| 39 | 99.06 | 3- |
| 40 | 101.60 | 4- |
| 41 | 104.14 | 4- |
| 42 | 106.68 | 4- |
| 43 | 109.22 | 4- |
| 44 | 111.76 | 4- |
| 45 | 114.30 | 4- |
| 46 | 116.84 | 4- |
| 47 | 119.38 | 4- |
| 48 | 121.92 | 4- |
| 49 | 124.46 | 4- |
| 50 | 127.00 | 5- 825 437 -0 |



MATING SIDE, AREA "F" 0.8µm GOLD OVER 1.27µm NICKEL
 SOLDER SIDE, MIN. 2.5µm TIN OVER 1.27µm NICKEL
 STECKSEITE, IM BEREICH "F" 0.8µm GOLD ÜBER 1.27 µm NICKEL
 LÖTSEITE, MIN. 2.5 µm ZINN ÜBER 1.27 µm NICKEL

1 MATING SIDE
 2 OBSOLETE PARTS: OBSOLETE CIS STREAMLINING PER D.RENAUD/D.SINISI
 3 OBSOLETE

| - | - | - | - | CuSn | 1 | CONTACT PIN KONTAKTSTIFT | 2 |
|------------------|------------|------|------|----------|---------------|-----------------------------|---------|
| - | - | - | - | PBT GV | GREEN GRÜN | PIN HOUSING STIFTGEHÄUSE | 1 |
| CUSTOMER PART NO | TE PART NO | REV. | PCS. | MATERIAL | SURFACE COLOR | DESCRIPTION | ITEM NO |

| | | | |
|--|--|---|-----------------------------|
| DIMENSIONS, DIMENSIONEN, mm | DWN DAHLHEIMER 05.12.75 | MATERIAL | FINISH OBERFLAECHE/FARBE |
| TOLERANCES UNLESS OTHERWISE SPECIFIED, ALLGEMEINTOLERANZEN | CHK BÖCK 17.12.75 | TE Connectivity | |
| P.P. 150 8015 P.P. 150 2768 - mH - E DIN 16901 - 140 | APVD | NAME AMPMODU II PIN HEADER 90° SINGLE ROW AMPMODU II STIFTELEISTE 90° EINREIHIG | |
| P.P. ±0.2 P.P. ±0.2 P.P. ±0.2 P.P. ± | PRODUCT SPEC PRODUKTSPEZ. | SIZE | RESTRICTED TO NUR FUER |
| ANGLES/WINKEL ±1° | APPLICATION SPEC VERARBEITUNGSSPEZ. | CAGE CODE | REV |
| | WEIGHT GEWICHT | DRAWING NO ZEICHNUNGS-NR. | U3 |
| CUSTOMER DRAWING | | /KUNDENZEICHNUNG | |
| MASSSTAB 4:1 | | BLATT 1 OF 1 | |

X-ON Electronics

Largest Supplier of Electrical and Electronic Components

Click to view similar products for [Headers & Wire Housings](#) category:

Click to view products by [TE Connectivity](#) manufacturer:

Other Similar products are found below :

[95000-104TRLF](#) [10135584-644402LF](#) [DF62W-EP2022PCA](#) [95000-106TRLF](#) [DF62W-2022SCA](#) [DF62W-EP2022PC](#) [2203348](#) [DF62W-2022SC](#) [1084018](#) [1029039](#) [1084017](#) [802-10-012-10-002000](#) [1112640](#) [1112639](#) [891-007-9SS-BST1T](#) [000-34000](#) [0008550134](#) [0009482033](#) [0009507031](#) [57102-F02-18ULF](#) [57102-S06-03LF](#) [57202-S52-04LF](#) [PCN6-15S-2.5E](#) [0039019024](#) [58102-G61-06LF](#) [582553-1](#) [0009485154](#) [0009508121](#) [0022285053](#) [0050291907](#) [018731A](#) [LY20-4P-DT1-P1E-BR](#) [02.125.8002.8](#) [60101931](#) [60598-1 \(Cut Strip\)](#) [M1625-3R/100](#) [61062-3](#) [61082-181009](#) [CSU011177004](#) [636-1427](#) [638009-1](#) [641938-9](#) [641991-4](#) [644168-1](#) [644827-2](#) [647662-1](#) [65039-019ELF](#) [65692-001LF](#) [65781-018](#) [65781-047](#)