



AS85049/74 Potting Boot

For Use with
AS85049/61
Potting Boot Ring
(Page 30-3)

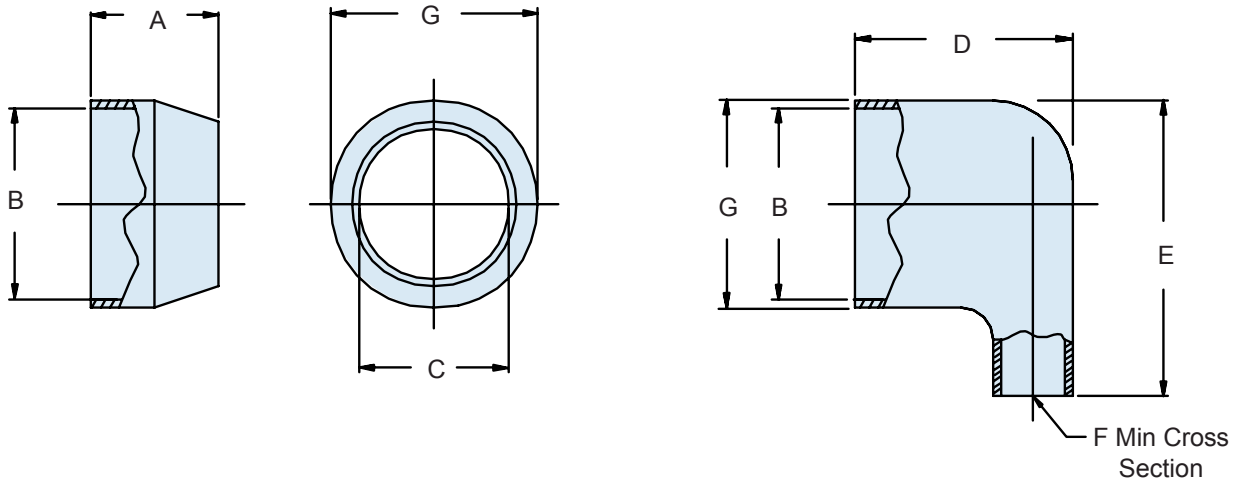
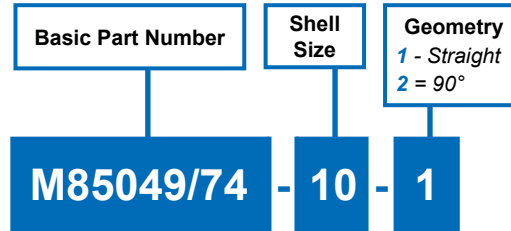


TABLE I: Shell Size and Dimensions

Shell Size	A Min	A Max	B Dia ± .005 (.1)	G Max	C Min ID	D Max	E Max	F Min
8	.450 (11.4)	.500 (12.7)	.511 (13.0)	.608 (15.4)	.317 (8.1)	.766 (19.5)	1.000 (25.4)	.110 (2.8)
10	.450 (11.4)	.500 (12.7)	.637 (16.2)	.734 (18.6)	.434 (11.0)	.922 (23.4)	1.125 (28.6)	.200 (5.1)
12	.450 (11.4)	.500 (12.7)	.761 (19.3)	.858 (21.8)	.548 (13.9)	1.031 (26.2)	1.125 (28.6)	.290 (7.4)
14	.450 (11.4)	.500 (12.7)	.887 (22.5)	.984 (25.0)	.673 (17.1)	1.016 (25.8)	1.297 (32.9)	.400 (10.2)
16	.450 (11.4)	.500 (12.7)	1.013 (25.7)	1.110 (28.2)	.798 (20.3)	1.016 (25.8)	1.375 (34.9)	.490 (12.4)
18	.450 (11.4)	.500 (12.7)	1.137 (28.9)	1.234 (31.3)	.899 (22.8)	1.078 (27.4)	1.469 (37.3)	.590 (15.0)
20	.550 (14.0)	.594 (15.1)	1.263 (32.1)	1.360 (34.5)	1.024 (26.0)	1.094 (27.8)	1.625 (41.3)	.730 (18.5)
22	.550 (14.0)	.594 (15.1)	1.387 (35.2)	1.484 (37.7)	1.149 (29.2)	1.094 (27.8)	1.703 (43.3)	.860 (21.8)
24	.550 (14.0)	.594 (15.1)	1.513 (38.4)	1.610 (40.9)	1.274 (32.4)	1.281 (32.5)	2.047 (52.0)	1.070 (27.2)

APPLICATION NOTES

- For complete dimensions see the applicable Military Specification.
- Finish: 500-Hour Cadmium Olive Drab over Electroless Nickel.
- Material: Translucent nylon, minimum wall thickness .020 (.51).
- Metric dimensions (mm) are in parentheses.

X-ON Electronics

Largest Supplier of Electrical and Electronic Components

Click to view similar products for [glenair](#) manufacturer:

Other Similar products are found below :

[GMR7580-15P4BSU](#) [DC40-10L](#) [MWDM2R-9P-4K5-18H-464A](#) [MWDM2R-25P-6K5-58M-464A](#) [805-001-16NF11-4SA](#) [687-348Z4-8-6](#)
[557-107M3-05CB](#) [450DS001N10-325](#) [MR75909P1BSU](#) [809-166-NF8](#) [103-026-012](#) [891-001-25PS-0A7-18J](#) [5M2920-3CW](#) [6000-063-0022](#)
[M28840/17AC1G3](#) [M28840/29CB1DAP1](#) [M32139/03-B06ST](#) [M39029/88-488](#) [M8351303-B14N](#) [M83513/03-C16N](#) [M83513/03-F11N](#)
[M83513/04-E03N](#) [M83513/13-B03CW](#) [M8351329-G02NW](#) [M85049130-07M](#) [M85049/1911N02](#) [M8504924-5W](#) [M85049/3610W03](#)
[M85049/39-17W](#) [M8504956-24N](#) [M85049/74-10-1](#) [M8504988-17P03](#) [M8504988-21N03](#) [M8504992-11M](#) [D38999/23YE26SN](#)
[759EA458NF32Z1732-40-102.9](#) [801-008-26NF7-25SA](#) [801-025-ARB2M6-4NA-12](#) [805-002-16M12-5SA](#) [858-003-01F](#) [860-004R-](#)
[B7MT07A-30-20](#) [G65217](#) [G8187C2010-44N](#) [G8377-21B](#) [G8801-09N](#) [G8801-25N](#) [G8859-174FNF](#) [947-432ME21-11SN](#) [947-432ME21-](#)
[35PN](#) [D3899933F21R](#)