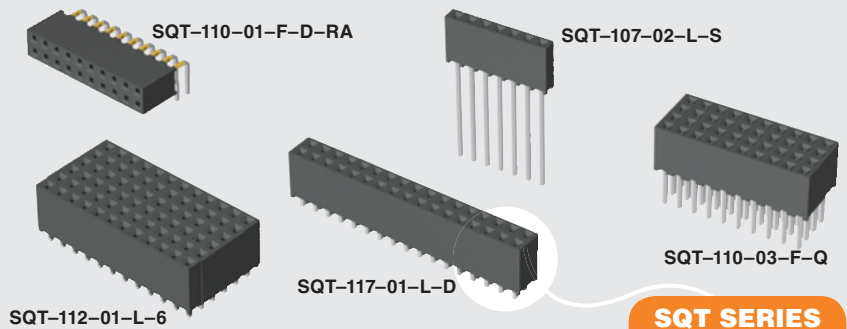




(2,00 mm) .0787"



SQT SERIES

COST-EFFECTIVE RUGGED SOCKETS

SPECIFICATIONS

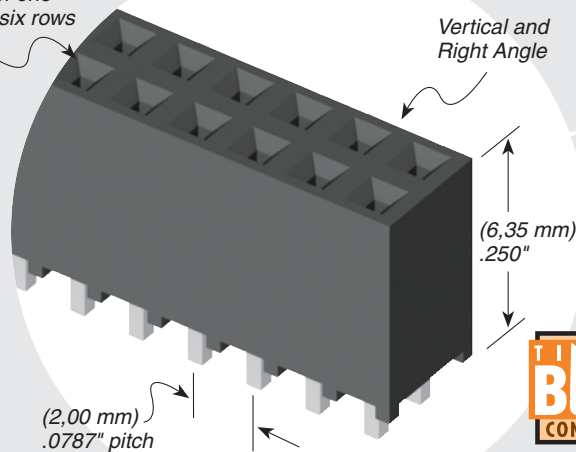
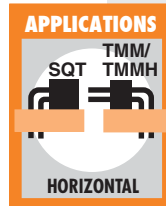
For complete specifications see www.samtec.com?SQT

- Insulator Material:** Black Liquid Crystal Polymer
- Contact Material:** Phosphor Bronze
- Plating:** Sn or Au over 50µ" (1,27 µm) Ni
- Current Rating (TMMH/SQT):** 5.1 A per pin (1 pin powered per row)
- Voltage Rating:** 450 VAC mated with TMM or TMMH
- Operating Temp Range:** -55°C to +125°C
- Contact Resistance:** 10 mΩ
- Insertion Depth:** (2,62 mm) .103" to (5,03 mm) .198"
- Insertion Force:** (Single contact only) 4 oz (1,11 N) average
- Normal Force:** 60 grams (0,59 N) average
- Withdrawal Force:** (Single contact only) 3 oz (0,83 N) average
- Max Cycles:** 100 with 10µ" (0,25 µm) Au
- RoHS Compliant:** Yes
- Lead-Free Solderable:** Yes

Mates with:
TMMH, TMM, MTMM,
MMT, TW, LTMM, ZLTMM,
ESQT, TCMD, PTT, TSH

Choice of one through six rows

Vertical and Right Angle



Note: Some lengths, styles and options are non-standard, non-returnable.

RECOGNITIONS

For complete scope of recognitions see www.samtec.com/quality



Other Solutions

- Elevated**
See ESQT Series.
- Surface Mount**
See SQW and TLE Series.
- Low Profile**
See CLT Series.
- High Reliability**
See SMM Series.
- Press Fit**
See PTF Series.

SQT	1	NO. PINS PER ROW	LEAD STYLE	PLATING OPTION	ROW OPTION	OTHER OPTION
		02 thru 50	Specify LEAD STYLE from chart	-F = Gold flash on contact, Matte Tin on tail -L = 10µ" (0,25 µm) Gold on contact, Matte Tin on tail	-S = Single Row -D = Double Row -T = Triple Row -Q = Four Row -5 = Five Row -6 = Six Row	-RA = Right Angle (-Q, -5 & -6 Row not available) (Lead Style -01 only) -"XXX" = Polarized Position (Indicate position number)

LEAD STYLE	A
-01	(2,29) .090
-02	(15,24) .600
-03	(5,28) .208

No. of positions x (2,00) .0787 + (0,30) .012
 (0,38) .015
 (0,51) .020 SQ
 (2,00) .0787 TYP
 (6,35) .250
 (1,27) .050
 (2,29) .090
 (2,00) .0787
-RA OPTION
 (-Q, -5 & -6 not available)

X-ON Electronics

Largest Supplier of Electrical and Electronic Components

Click to view similar products for [Headers & Wire Housings](#) category:

Click to view products by [Samtec](#) manufacturer:

Other Similar products are found below :

[95000-104TRLF](#) [10135584-644402LF](#) [DF62W-EP2022PCA](#) [95000-106TRLF](#) [DF62W-2022SCA](#) [DF62W-EP2022PC](#) [2203348](#) [DF62W-2022SC](#) [1084018](#) [1029039](#) [1084017](#) [802-10-012-10-002000](#) [1112640](#) [1112639](#) [000-34000](#) [0009482033](#) [0009507031](#) [57102-S06-03LF](#) [57202-S52-04LF](#) [PCN6-15S-2.5E](#) [0039019024](#) [58102-G61-06LF](#) [582553-1](#) [0009485154](#) [0009508121](#) [0022285053](#) [0050291907](#) [018731A](#) [LY20-4P-DT1-P1E-BR](#) [02.125.8002.8](#) [60101931](#) [60598-1 \(Cut Strip\)](#) [M1625-3R/100](#) [61062-3](#) [61082-181009](#) [636-1427](#) [638009-1](#) [641938-9](#) [641991-4](#) [644168-1](#) [647662-1](#) [65039-019ELF](#) [65781-047](#) [65817-002LF](#) [65817-015LF](#) [65863-015LF](#) [66207-023LF](#) [67016-026LF](#) [67046-001LF](#) [67095-007LF](#)