

Radial Leads/SkyCap®/SR Series



GENERAL INFORMATION

AVX SR Series

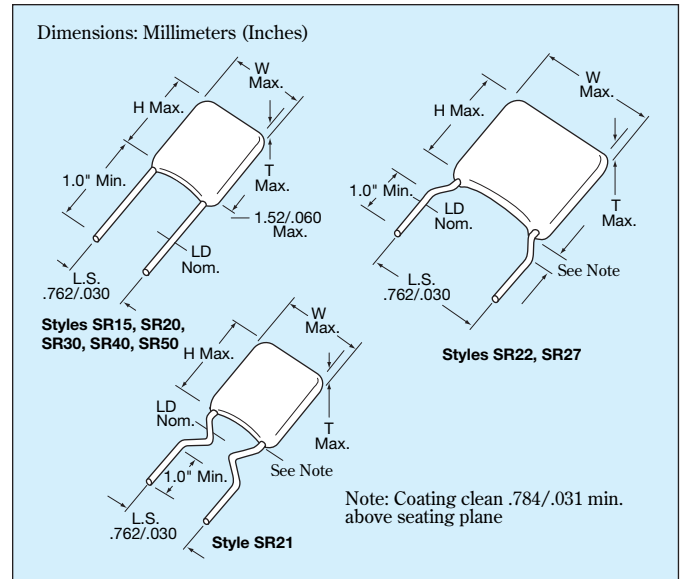
Conformally Coated Radial Ledged MLC

Temperature Coefficients: C0G (NP0), X7R, Z5U

200, 100, 50 Volts (300V, 400V & 500V also available)

Case Material: Epoxy

Lead Material: RoHS Compliant, 100% Tin

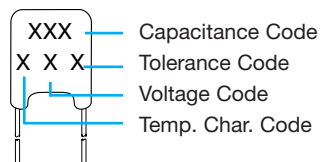


HOW TO ORDER

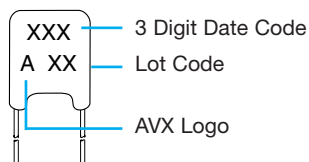
| | | | | | | |
|--------------------------------------------------------------|---------------------------------------------------------------------|-------------------------------------|----------------------------------------------------------------------------------------------------------------------------------------------------------------------------------------------------------------------------------------|-------------------------------------------------------------------------------------------------------------------------------------------------------------------------------------------------------|---------------------|--------------|
| SR21 | 5 | E | 104 | M | A | R |
| | | | | | | |
| AVX Style | Voltage | Temperature Coefficient | Capacitance | Capacitance Tolerance | Failure Rate | Leads |
| SR15 SR20 SR21 SR22 SR27 SR30 SR40 SR50 | 5 = 50V 1 = 100V 2 = 200V 9 = 300V 8 = 400V 7 = 500V | A = C0G (NP0) C = X7R E = Z5U | First two digits are the significant figures of capacitance. Third digit indicates the additional number of zeros. For example, order 100,000 pF as 104. (For values below 10pF use "R" in place of decimal point, e.g., 1R4 = 1.4pF.) | COG (NP0): C = ±.25pF D = ±.5pF F = ±1% (>50pF only) G = ±2% (>25pF only) J = ±5% K = ±10% X7R: J = ±5% K = ±10% M = ±20% Z5U: M = ±20% Z = +80% -20% | A = Not Applicable | R = RoHS |

MARKING

FRONT



BACK



PACKAGING REQUIREMENTS

| | Quantity per Bag |
|--------------------------|------------------|
| SR15, 20, 21, 22, 27, 30 | 1000 Pieces |
| SR40, 50 | 500 Pieces |

Note: SR15, SR20, SR21, SR30, and SR40 available on tape and reel per EIA specifications RS-468. See Pages 33 and 34.

Radial Leads/SkyCap®/SR Series



C0G (NP0) Dielectric

SIZE AND CAPACITANCE SPECIFICATIONS

EIA Characteristic

Dimensions: Millimeters (Inches)

| AVX Style | SR15 | SR20 | SR21 | SR22 | SR27 | SR30 | SR40 | SR50 |
|-------------------------------------------------------|---------------------------------------------------------|-----------------|-----------------|-----------------|-----------------|----------------|-----------------|-----------------|
| AVX "Insertable" | SR07 | SR29 | SR59 | N/A | N/A | SR65 | SR75 | N/A |
| Width (W) | 3.81 (.150) | 5.08 (.200) | 5.08 (.200) | 5.08 (.200) | 6.604 (.260) | 7.62 (.300) | 10.16 (.400) | 12.70 (.500) |
| Height (H) | 3.81 (.150) | 5.08 (.200) | 5.08 (.200) | 5.08 (.200) | 6.35 (.250) | 7.62 (.300) | 10.16 (.400) | 12.70 (.500) |
| Thickness (T) | 2.54 (.100) | 3.175 (.125) | 3.175 (.125) | 3.175 (.125) | 4.06 (.160) | 3.81 (.150) | 3.81 (.150) | 5.08 (.200) |
| Lead Spacing (L.S.) | 2.54 (.100) | 2.54 (.100) | 5.08 (.200) | 6.35 (.250) | 7.62 (.300) | 5.08 (.200) | 5.08 (.200) | 10.16 (.400) |
| Lead Diameter (L.D.) | .508 (.020) | .508 (.020) | .508 (.020) | .508 (.020) | .508 (.020) | .508 (.020) | .508 (.020) | .635 (.025) |
| Cap. in.* Industry Preferred pF Values in Blue | WVDC | WVDC | WVDC | WVDC | WVDC | WVDC | WVDC | WVDC |
| | 200 100 50 | 200 100 50 | 200 100 50 | 200 100 50 | 200 100 50 | 100 50 | 100 50 | 100 50 |
| 1.0-9.9 10 15 | SR151A1R0DAR SR151A100KAR SR.....A150KAR | | | | | | | |
| 22 33 39 | SR.....A220KAR SR.....A330KAR SR.....A390KAR | | | | | | | |
| 47 68 100 | SR.....A470KAR SR.....A680KAR SR151A101KAR | | | | | | | |
| 150 220 330 | SR.....A151KAR SR.....A221KAR SR.....A331KAR | | | | | | | |
| 390 470 680 | SR.....A391KAR SR.....A471KAR SR.....A681KAR | | | | | | | |
| 1000 1500 2200 | SR211A102KAR SR.....A152KAR SR.....A222KAR | | | | | | | |
| 3900 4700 6800 | SR.....A392KAR SR.....A472KAR SR.....A682KAR | | | | | | | |
| 8200 10,000 15,000 | SR.....A822KAR SR305A103KAR SR.....A153KAR | | | | | | | |
| 22,000 33,000 39,000 | SR.....A223KAR SR.....A333KAR SR.....A393KAR | | | | | | | |
| 47,000 68,000 100,000 | SR.....A473KAR SR.....A683KAR SR.....A104KAR | | | | | | | |

For other styles, voltages, tolerances and lead lengths see Part No. Codes or contact factory.

*Other capacitance values available upon special request.

 = Industry preferred values
 = SR20 only

NOTE: Capacitance Ranges available for SR12 same as SR15
 SR62 same as SR21
 SR64 same as SR30
 SR89 same as SR21



Radial Leads/SkyCap®/SR Series



X7R Dielectric

SIZE AND CAPACITANCE SPECIFICATIONS

EIA Characteristic

Dimensions: Millimeters (Inches)

| AVX Style | SR15 | SR20 | SR21 | SR22 | SR27 | SR30 | SR40 | SR50 | | | | | | | | | | | |
|----------------------------------------------------|----------------|-----------------|-----------------|-----------------|-----------------|----------------|-----------------|-----------------|-------------|-----|-------------|----|-------------|-----|-------------|-----|-------------|----|--|
| AVX "Insertable" | SR07 | SR29 | SR59 | N/A | N/A | SR65 | SR75 | N/A | | | | | | | | | | | |
| Width (W) | 3.81 (.150) | 5.08 (.200) | 5.08 (.200) | 5.08 (.200) | 6.604 (.260) | 7.62 (.300) | 10.16 (.400) | 12.70 (.500) | | | | | | | | | | | |
| Height (H) | 3.81 (.150) | 5.08 (.200) | 5.08 (.200) | 5.08 (.200) | 6.35 (.250) | 7.62 (.300) | 10.16 (.400) | 12.70 (.500) | | | | | | | | | | | |
| Thickness (T) | 2.54 (.100) | 3.175 (.125) | 3.175 (.125) | 3.175 (.125) | 4.06 (.160) | 3.81 (.150) | 3.81 (.150) | 5.08 (.200) | | | | | | | | | | | |
| Lead Spacing (L.S.) | 2.54 (.100) | 2.54 (.100) | 5.08 (.200) | 6.35 (.250) | 7.62 (.300) | 5.08 (.200) | 5.08 (.200) | 10.16 (.400) | | | | | | | | | | | |
| Lead Diameter (L.D.) | .508 (.020) | .508 (.020) | .508 (.020) | .508 (.020) | .508 (.020) | .508 (.020) | .508 (.020) | .635 (.025) | | | | | | | | | | | |
| Cap. in.* Industry Preferred Values in Blue | WVDC | | WVDC | | WVDC | | WVDC | | WVDC | | WVDC | | WVDC | | WVDC | | WVDC | | |
| | 200 | 100 | 50 | 200 | 100 | 50 | 200 | 100 | 50 | 200 | 100 | 50 | 200 | 100 | 50 | 200 | 100 | 50 | |
| 470 | SR.....C471KAR | | | | | | | | | | | | | | | | | | |
| 1000 | SR155C102KAR | | | | | | | | | | | | | | | | | | |
| 1500 | SR.....C152KAR | | | | | | | | | | | | | | | | | | |
| 2200 | SR.....C222KAR | | | | | | | | | | | | | | | | | | |
| 3300 | SR.....C332KAR | | | | | | | | | | | | | | | | | | |
| 4700 | SR.....C472KAR | | | | | | | | | | | | | | | | | | |
| 6800 | SR.....C682KAR | | | | | | | | | | | | | | | | | | |
| 10,000 | SR215C103KAR | | | | | | | | | | | | | | | | | | |
| 15,000 | SR.....C153KAR | | | | | | | | | | | | | | | | | | |
| 22,000 | SR.....C223KAR | | | | | | | | | | | | | | | | | | |
| 33,000 | SR.....C333KAR | | | | | | | | | | | | | | | | | | |
| 47,000 | SR.....C473KAR | | | | | | | | | | | | | | | | | | |
| 68,000 | SR.....C683KAR | | | | | | | | | | | | | | | | | | |
| 100,000 | SR215C104KAR | | | | | | | | | | | | | | | | | | |
| 150,000 | SR.....C154KAR | | | | | | | | | | | | | | | | | | |
| 220,000 | SR215C224KAR | | | | | | | | | | | | | | | | | | |
| 330,000 | SR.....C334KAR | | | | | | | | | | | | | | | | | | |
| 390,000 | SR.....C394KAR | | | | | | | | | | | | | | | | | | |
| 470,000 | SR305C474KAR | | | | | | | | | | | | | | | | | | |
| 1.0 µF | SR305C105KAR | | | | | | | | | | | | | | | | | | |
| 2.2 µF | SR405C225KAR | | | | | | | | | | | | | | | | | | |
| 2.7 µF | SR505C275KAR | | | | | | | | | | | | | | | | | | |
| 4.7 µF | SR505C475KAR | | | | | | | | | | | | | | | | | | |

For other styles, voltages, tolerances and lead lengths see Part No. Codes or contact factory.

*Other capacitance values available upon special request.

- = Industry preferred values
- = SR20 only
- = Extended range
- = Extended range, SR20 only
- = Extended range with 0.150" thickness maximum

NOTE: Capacitance Ranges available for SR12 same as SR15
 SR62 same as SR21
 SR64 same as SR30
 SR89 same as SR21

Radial Leads/SkyCap®/SR Series



Z5U Dielectric

SIZE AND CAPACITANCE SPECIFICATIONS

EIA Characteristic

Dimensions: Millimeters (Inches)

| AVX Style | SR15 | SR20 | SR21 | SR22 | SR27 | SR30 | SR40 | SR50 |
|---------------------------------------------|------------------------------------------------|-----------------|-----------------|-----------------|-----------------|----------------|-----------------|-----------------|
| AVX "Insertable" | SR07 | SR29 | SR59 | N/A | N/A | SR65 | SR75 | N/A |
| Width (W) | 3.81 (.150) | 5.08 (.200) | 5.08 (.200) | 5.08 (.200) | 6.604 (.260) | 7.62 (.300) | 10.16 (.400) | 12.70 (.500) |
| Height (H) | 3.81 (.150) | 5.08 (.200) | 5.08 (.200) | 5.08 (.200) | 6.35 (.250) | 7.62 (.300) | 10.16 (.400) | 12.70 (.500) |
| Thickness (T) | 2.54 (.100) | 3.175 (.125) | 3.175 (.125) | 3.175 (.125) | 4.06 (.160) | 3.81 (.150) | 3.81 (.150) | 5.08 (.200) |
| Lead Spacing (L.S.) | 2.54 (.100) | 2.54 (.100) | 5.08 (.200) | 6.35 (.250) | 7.62 (.300) | 5.08 (.200) | 5.08 (.200) | 10.16 (.400) |
| Lead Diameter (L.D.) | .508 (.020) | .508 (.020) | .508 (.020) | .508 (.020) | .508 (.020) | .508 (.020) | .508 (.020) | .635 (.025) |
| Cap. in.* Industry Preferred Values in Blue | WVDC 100 50 | WVDC 100 50 | WVDC 100 50 | WVDC 100 50 | WVDC 100 50 | WVDC 100 50 | WVDC 100 50 | WVDC 100 50 |
| 10,000 47,000 100,000 | SR15E103ZAR SR.....E473ZAR SR215E104ZAR | | | | | | | |
| 150,000 220,000 330,000 | SR.....E154ZAR SR215E224ZAR SR215E334ZAR | | | | | | | |
| 470,000 680,000 | SR215E474ZAR SR.....E684ZAR | | | | | | | |
| 1.0 µF 1.5 µF 2.2 µF | SR.....105ZAR SR30E155ZAR SR30E225ZAR | | | | | | | |
| 3.3 µF 4.7 µF | SR30E335ZAR SR30E475ZAR | | | | | | | |

For other styles, voltages, tolerances and lead lengths see Part No. Codes or contact factory.

*Other capacitance values available upon special request.

- = Industry preferred values
- = SR20 only

AVX 500 VOLT SKYCAPS**

| STYLE* | MAXIMUM CAPACITANCE VALUE | |
|----------------------|---------------------------|---------|
| | COG (NP0) | X7R |
| SR29 | 900 pF | .015 µF |
| SR20 | 1800 pF | .033 µF |
| SR28 SR59 | 900 pF | .015 µF |
| SR13 SR21 | 1800 pF | .033 µF |
| SR30 SR61 SR65 | 7200 pF | .12 µF |
| SR40 SR75 | .015 µF | .27 µF |
| SR22 | 1800 pF | .033 µF |
| SR27 | 1800 pF | .033 µF |
| SR76 | .015 µF | .27 µF |
| SR50 | .036 µF | .59 µF |

*Consult pages 27 and 28 for style sizes.

**Voltage rating based on DWV of 150% of rated voltage.



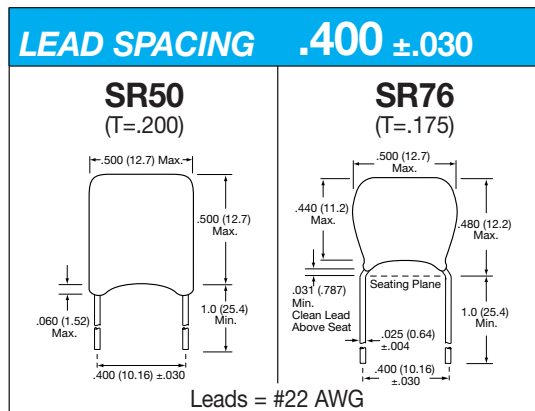
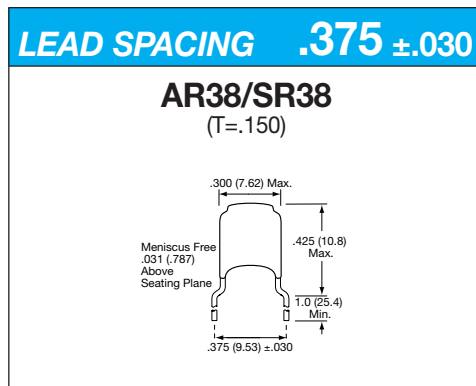
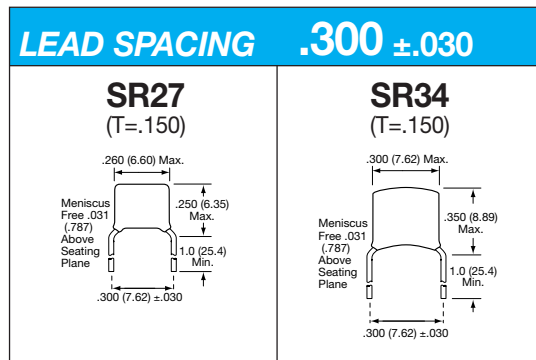
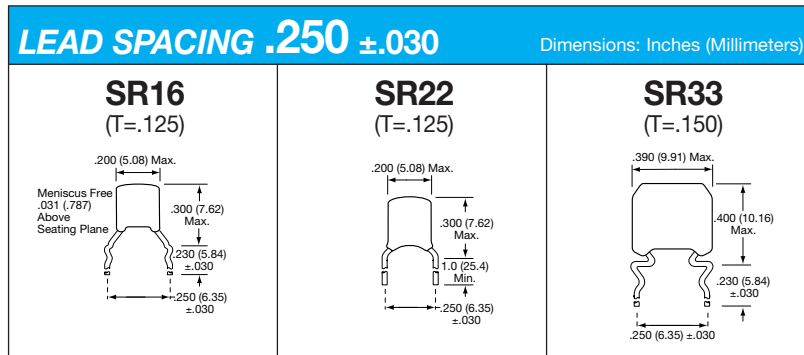
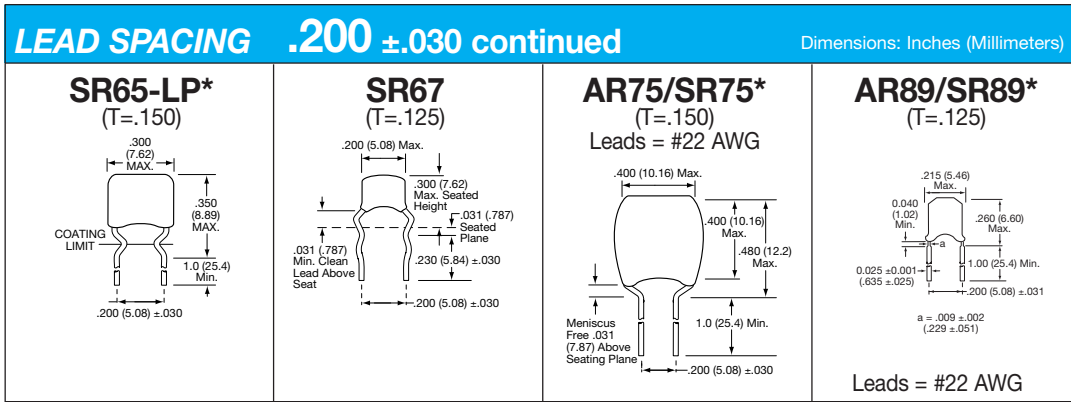
Configurations by Lead Spacing

| LEAD SPACING .100 ±.030 | | | | Dimensions: Inches (Millimeters) | | | |
|---------------------------------------|--------------------------------------|---------------------------------------|---------------------------------------|---------------------------------------|--------------------------------------------------------------|------------------------------------------------------------|--|
| <p>AR07/SR07* (T=.100)</p> | <p>AR14/SR14 (T=.100)</p> | <p>AR15/SR15* (T=.100)</p> | <p>AR20/SR20* (T=.125)</p> | <p>AR29/SR29* (T=.125)</p> | <p>AR62/SR62* (T=.125)</p> <p>Leads = #22 AWG</p> | <p>SR62-LP* (T=.100)</p> <p>Leads = #22 AWG</p> | |

| LEAD SPACING .200 ±.030 | | | | | Dimensions: Inches (Millimeters) | | | | | | | | | |
|---------------------------------------|----------------------------------|---------------------------------------|-------------------------------------|----------------------------------|---------------------------------------|-------------------------------------|---------------------------------------|---------------------------------------|---------------------------------------|---------------------------------|----------------------------------|---------------------------------------------------------|------------------------------------------------------------|---------------------------------------|
| <p>AR12/SR12* (T=.100)</p> | <p>SR13* (T=.125)</p> | <p>AR21/SR21* (T=.125)</p> | <p>SR21-85* (T=.125)</p> | <p>SR28* (T=.125)</p> | <p>AR30/SR30* (T=.150)</p> | <p>SR30-LP* (T=.150)</p> | <p>AR32/SR32* (T=.150)</p> | <p>AR40/SR40* (T=.150)</p> | <p>AR59/SR59* (T=.125)</p> | <p>SR61 (T=.150)</p> | <p>SR63* (T=.150)</p> | <p>SR64* (T=.150)</p> <p>Leads = #22 AWG</p> | <p>SR64-LP* (T=.150)</p> <p>Leads = #22 AWG</p> | <p>AR65/SR65* (T=.150)</p> |

*SL style available in all SR configurations.

Configurations by Lead Spacing



- NOTES:**
1. All leads are #24 AWG unless otherwise noted.
 2. Available in tape and reel packaging(*).
 3. Other styles are also available, contact factory.
 4. (T = XXX) under type designation is maximum thickness in inches.

*SL style available in all SR configurations.

Radial Leads/Packaging

Tape and Reel



GENERAL INFORMATION

1. Standard reel diameter is 355 millimeters (14 inches) maximum.
2. Reeling standard (#1 or #2) should be specified when ordering.

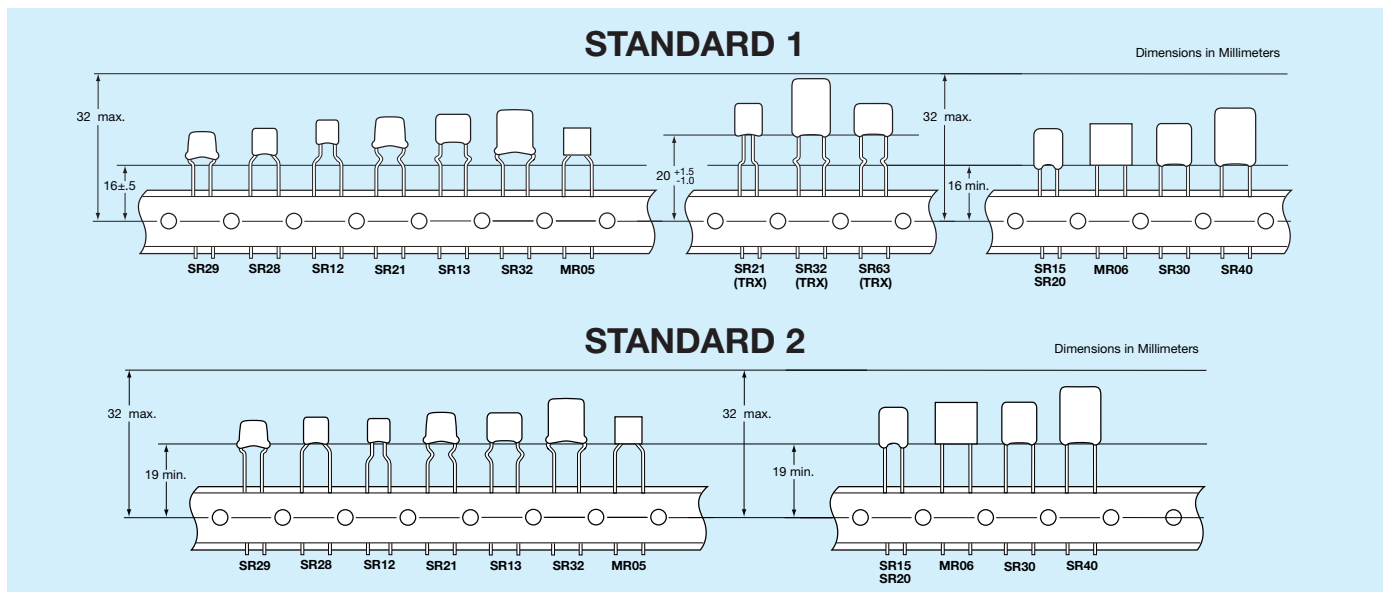
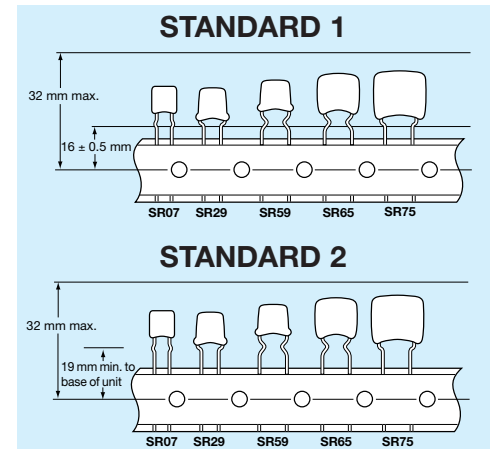
HOW TO ORDER

To specify tape and reel packaging, add TR1, TR2 or TRX to the end of the AVX 12 digit part number.

Examples:

SR215C104KARTR1
SR305E105MARTR2
SR215C103JARTRX

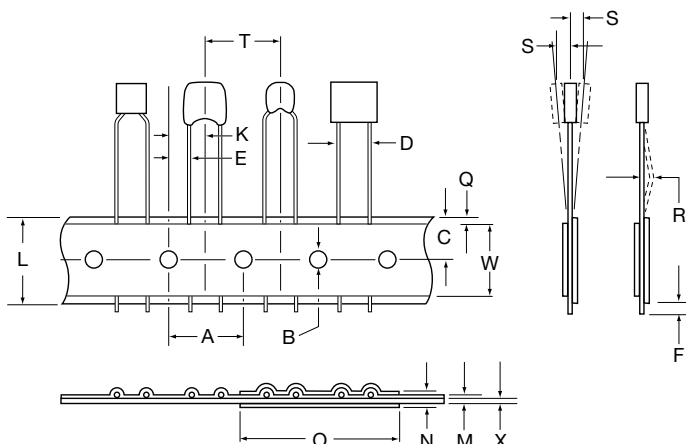
THE INSERTABLES

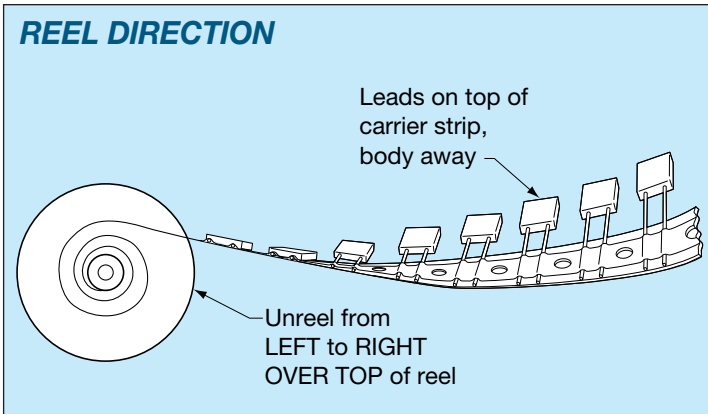


DESCRIPTION

DIMENSIONS (MM)

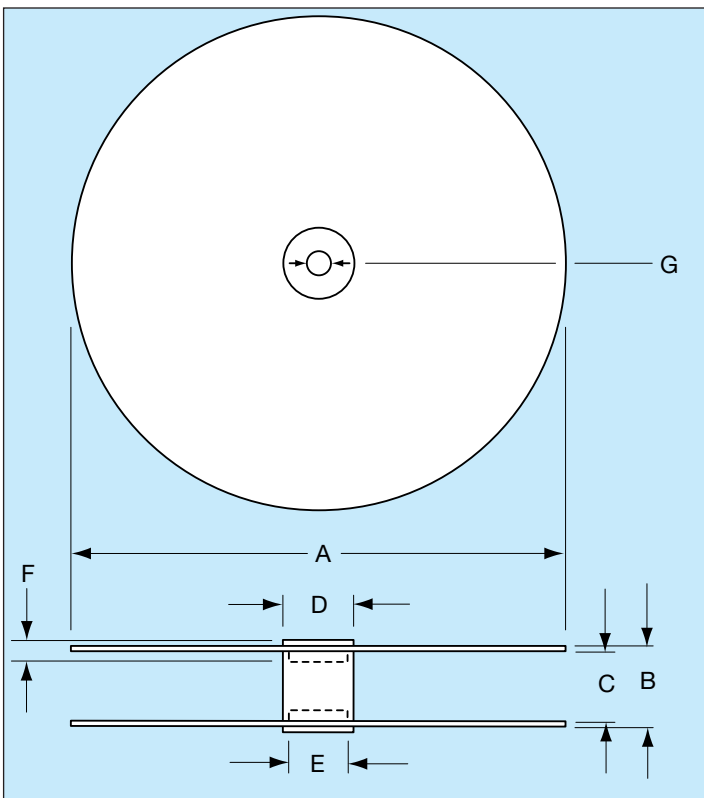
| | |
|----------------------------------------------------------------------|--------------------------------------------------------------------------------|
| A. Feed Hole Pitch | 12.70 ± .20 |
| B. Feed Hole Diameter | 3.99 ± .20 |
| C. Feed Hole Location | 9.02 ± .51 |
| D. Component Lead Spacing | 5.00 ^{+0.79} _{-.20} or 2.54 ^{+0.79} _{-.20} |
| E. Component Lead Location | 3.81 ± .51 or 5.00 ± .51 for 2.54 lead spacing 2.00 maximum |
| F. Component Lead Protrusion (edge of carrier to cut end of lead) | 2.00 maximum |
| K. Component Body Location | 6.35 ± .41 |
| L. Carrier Tape Width | 18.01 ^{+1.02} _{-.51} |
| M. Carrier Tape Assembly Thickness | .71 ± .20 |
| N. Carrier Tape Spliced Thickness | 1.42 maximum |
| O. Carrier Tape Spliced Length | 50.80 - 88.90 |
| Q. Adhesive Tape Border | 3.00 maximum |
| R. Component Bent Leads (either direction) | .79 maximum |
| S. Component Misalignment | .99 maximum |
| T. Component Pitch | 12.70 ± .99 |
| W. Adhesive Tape Width | 5.00 minimum |
| X. Carrier Tape Thickness | .51 ± .10 |
| Y. Cumulative Pitch over 20 Pitches | 254 ± 2.00 |





| QUANTITY PER REEL SR/AR | |
|----------------------------------------|------|
| PART | PCS |
| SR15, 07, 12 | 3500 |
| SR20, 21, 23, 28 13, 29, 59, 62, 89 | 3000 |
| SR30, 32, 40, 63, 64 65, 75 | 2000 |
| MR05, 06 | 2500 |

*SL style available in all SR configurations.



| DESCRIPTION | DIMENSIONS (MM) |
|--------------------------|-----------------|
| A – Reel Diameter | 304.80 - 355 |
| B – Reel Outside Width | 50.80 maximum |
| C – Reel Inside Width | 38.10 - 46.02 |
| D – Core Diameter (O.D.) | 102.01 maximum |
| E – Hub Recess Diameter | 86.36 maximum |
| F – Hub Recess Depth | 9.50 minimum |
| G – Arbor Hole Diameter | 25.40 - 30.48 |

| CONVERSION TABLE | | | | | | | | | |
|------------------|------|------|------|------|------|-------|-------|--------|--------|
| MM | IN | MM | IN | MM | IN | MM | IN | MM | IN |
| .10 | .004 | 1.52 | .060 | 5.00 | .197 | 9.91 | .390 | 32.00 | 1.260 |
| .20 | .007 | 2.00 | .079 | 5.08 | .200 | 10.03 | .395 | 38.10 | 1.500 |
| .38 | .015 | 2.54 | .100 | 6.22 | .245 | 10.16 | .400 | 46.02 | 1.812 |
| .41 | .016 | 3.00 | .118 | 6.35 | .250 | 11.68 | .460 | 50.80 | 2.000 |
| .51 | .020 | 3.18 | .125 | 6.60 | .260 | 12.50 | .492 | 86.36 | 3.400 |
| .71 | .028 | 3.48 | .137 | 6.99 | .275 | 12.70 | .500 | 88.90 | 3.500 |
| .79 | .031 | 3.81 | .150 | 7.62 | .300 | 16.00 | .630 | 102.01 | 4.016 |
| .99 | .039 | 3.99 | .157 | 8.89 | .350 | 18.01 | .709 | 254.00 | 10.000 |
| 1.02 | .040 | 4.45 | .175 | 9.02 | .355 | 25.40 | 1.000 | 304.80 | 12.000 |
| 1.42 | .056 | 4.98 | .196 | 9.50 | .374 | 30.48 | 1.200 | 355.00 | 14.000 |

European Detail Specifications



CECC 30-601 & 30-701

SkyCap and Ceralam capacitors are available to European CECC specifications covering three standard dielectric materials: 1B/C0G, 2C1/X7R and 2F4/Y5V. The latter is available only with SkyCap capacitors.

To order use AVX part number with the Failure Rate code of “T” for CECC.

Molded Radial – CECC

| 1B/A CECC 30 601 009 Issue 1 | | | | 2C1/C CECC 30 701 007 Issue 1 | | |
|---------------------------------|---------|---------|---------|----------------------------------|---------|---------|
| | 50V | 100V | 200V | 50V | 100V | 200V |
| B/MR05 | 1R0-682 | 1R0-472 | 1R0-332 | 221-224 | 221-154 | 221-393 |
| C/MR06 | 1R0-223 | 1R0-153 | 1R0-123 | 122-105 | 122-474 | 122-124 |

SkyCap – CECC

| | | | | | | |
|-----------|-----------|-----------|------------|------------|------------|------------|
| SR15 = D2 | SR20 = D6 | SR21 = D7 | SR30 = D11 | SR40 = D15 | SR50 = D14 | SR65 = D16 |
|-----------|-----------|-----------|------------|------------|------------|------------|

| 1B/A CECC 30 601 801 Issue 2 | | | | | 2C1/C CECC 30 701 801 Issue 2 | | | | 2F4/E CECC 30 701 802 Issue 1 | |
|---------------------------------|---------|---------|---------|---------|----------------------------------|---------|---------|---------|----------------------------------|---------|
| | 50V | 100V | 200V | 500V | 50V | 100V | 200V | 500V | 50V | 100V |
| SR15 | 1R0-122 | 1R0-681 | 1R0-471 | — | 221-333 | 221-273 | 221-562 | — | 103-154 | 103-393 |
| SR20 | 1R0-682 | 1R0-392 | 1R0-392 | 1R0-152 | 102-184 | 102-124 | 102-333 | 102-103 | 103-824 | 103-224 |
| SR21 | 1R0-682 | 1R0-392 | 1R0-392 | 1R0-152 | 102-184 | 102-124 | 102-333 | 102-153 | 103-824 | 103-224 |
| SR30 | 102-273 | 102-223 | 102-223 | 101-472 | 333-105 | 333-334 | 333-124 | 103-473 | 104-225 | 104-684 |
| SR40 | 103-563 | 103-393 | 103-393 | — | 334-155 | 334-105 | 124-274 | — | 105-156 | 105-335 |
| SR50 | 103-104 | 103-823 | 103-563 | — | 104-155 | 104-185 | 104-564 | — | 225-276 | 225-685 |
| SR65 | 102-273 | 102-223 | 102-103 | 101-472 | 333-105 | 333-334 | 333-124 | 103-473 | 104-225 | 104-684 |



X-ON Electronics

Largest Supplier of Electrical and Electronic Components

Click to view similar products for [Multilayer Ceramic Capacitors MLCC - Leaded](#) category:

Click to view products by [AVX](#) manufacturer:

Other Similar products are found below :

[010-007220-002REV A](#) [M39014/01-1210V](#) [M39014/01-1281V](#) [M39014/01-1335V](#) [M39014/01-1571V](#) [M39014/01-1578V](#) [M39014/01-1593](#)
[M39014/02-1265V](#) [M39014/02-1347](#) [M39014/02-1350](#) [M39014/02-1356VTR1](#) [M39014/22-0167](#) [M39014/22-0734](#) [87043-49](#) [Q52-DK](#)
[AR215F103K4RTR2-3323](#) [C0603C309C5GACTU-CUT-TAPE](#) [C410C221K1G5TATR](#) [C420C102J1G5TATR](#) [C430C104M1U5TATR](#)
[SL155C222MAB](#) [FK26X7R2E104KN006](#) [CCR06CG183GRV](#) [CFB1/2C101J](#) [CFB1/2C102J](#) [CN20C102K](#) [M39014/01-1317](#) [M39014/01-](#)
[1572V](#) [M39014/01-1594V](#) [M39014/02-1236](#) [M39014/02-1321V](#) [M39014/02-1345V](#) [M39014/22-0351](#) [M39014/22-0695](#) [M39014/220767](#)
[M39014/220788](#) [M39014/22-1005](#) [MA405E334MAA](#) [MD015A103KAB](#) [SL301E105MAB](#) [CCR05CG242FRV](#) [KTD101B684M32A0B00](#)
[CCR07CG473KR](#) [CCR05CG820JP](#) [TKC-TMC1206-05-1501-J??](#) [TKC-TMC1206-05-1801-J](#) [TKC-TMC1206-05-20R0-F](#) [TKC-](#)
[TMC1206-05-3901-J](#) [TKC-TMC1206-05-44R2-F](#) [TKC-TMC1206-05-4703-J??](#)