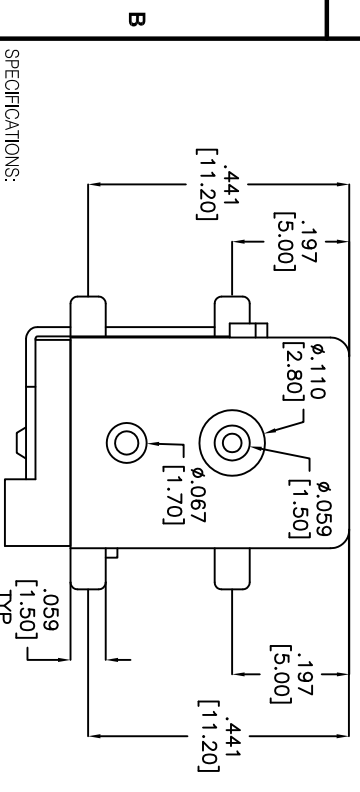
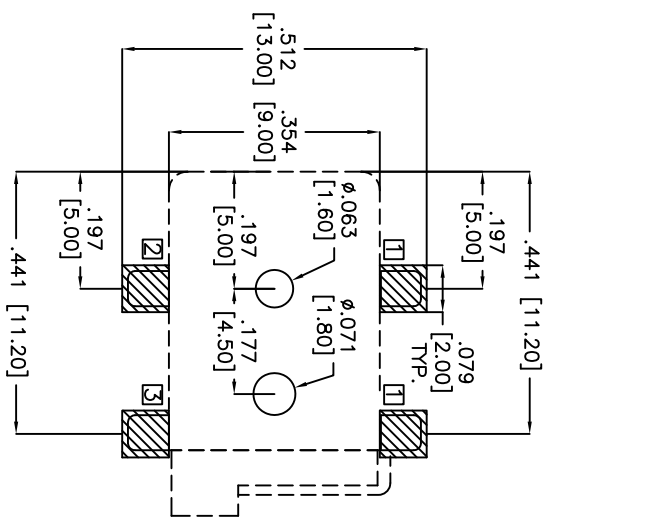
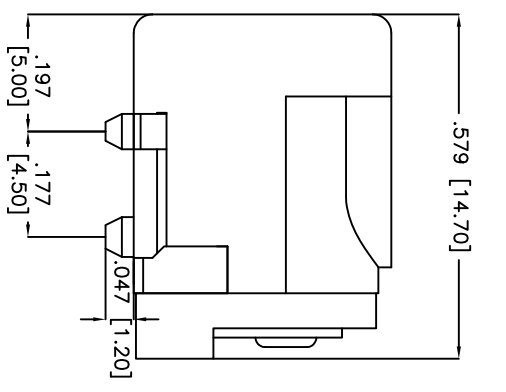
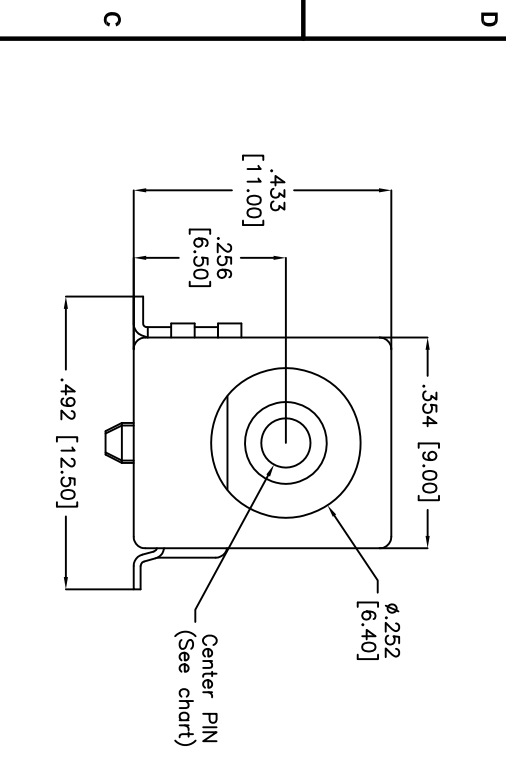


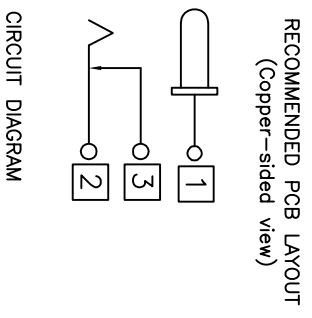
APPROVED: \_\_\_\_\_  
 DATE: \_\_\_\_\_ TITLE: \_\_\_\_\_

Rev	AWO #	Description	Date	Appr
-		RELEASED	8/05/09	
-		REVISED SPEC.	4/30/13	



PART NO.	CENTER PIN DIA.
ADC-028-1-T/R	$\phi .079 [2.00]$
ADC-028-2-T/R	$\phi .098 [2.50]$
ADC-028-5-T/R	$\phi .093 [2.35]$

PACKAGED ON TAPE & REEL



**SPECIFICATIONS:**  
 Material: Insulator: Hi-Temp Thermoplastic, rated UL 94V-0  
 Insulator color: Black  
 Center Pin: Copper Alloy, Nickel plated  
 Contacts: Copper Alloy  
 Terminal: Brass  
 Spring: Phosphor Bronze  
 Plating: Tin over Copper underplate  
 Electrical: Operating voltage: 20 VDC max.  
 Current rating: 5 Amp max.  
 Contact resistance: 30 mohms max. initial  
 Insulation resistance: 100 Mohms min.  
 Dielectric withstanding voltage: 500 VAC for 1 minute  
 Temperature Rating: Operating temperature: -20°C to +70°C  
 Environmental: Lead free, RoHS compliant

UNLESS OTHERWISE SPECIFIED ALL DIMENSIONS ARE IN INCHES [MM]	
TOLERANCES: EXCEPT AS NOTED	
INCHES	HOLES
.X ± .10	ØX ± .10
.XX ± .020	ØXXX ± .015
.XXX ± .015	ØXXXX ± .010
APPROVALS	DATE
DRAWN	8/05/09
CHECKED	
APPROVED	

**ADAM TECH**  
 909 Railway Avenue, Union, NJ 07083  
 Phone: 908-687-5000 Fax: 908-687-5710

TITLE: DC POWER JACK, 2.00mm, 2.50mm, 2.35mm CENTER PIN

SIZE	PART NO.	REV.
X	ADC-028-X-T/R	A
REF: S0002C	SCALE: NTS	SHEET 1 OF 2



## X-ON Electronics

Largest Supplier of Electrical and Electronic Components

*Click to view similar products for [DC Power Connectors](#) category:*

*Click to view products by [Adam](#) manufacturer:*

Other Similar products are found below :

[1600206-1](#) [163-0301-EX](#) [163-0302](#) [163-0308-EX](#) [163-0310-EX](#) [163-1061-EX](#) [163-1100-EX](#) [163-4024](#) [163-4117-EX](#) [163-4118-EX](#) [163-5005-E](#) [163-7421](#) [163-MJ22-EX](#) [171-0721-EX](#) [171-0725-EX](#) [171-3118-EX](#) [171-3210-E](#) [171-3221-EX](#) [171-3222-EX](#) [171-A1326-EX](#) [173-23507-ST-EX](#) [173-5521TIP-EX](#) [173-6330TIP-EX](#) [KLDVX-SMT-02-ATR](#) [KLDX-0201-AHT-1](#) [KLDX-0202-AHT](#) [KLDX-SMT-0202-BP](#) [KLDX-SMT-0202-BPTR](#) [163-0179-EX](#) [163-0307-E](#) [163-0309-EX](#) [163-4007-EX](#) [163-4015-EX](#) [163-4025](#) [163-4119-E](#) [163-4303-E](#) [16PJ101-EX](#) [171-0702-EX](#) [171-0722-E](#) [171-0726-EX](#) [171-2122-EX](#) [171-3216-EX](#) [171-3218-EX](#) [171-3219-EX](#) [171-3220-EX](#) [171-7391](#) [173-3413-ST-EX](#) [173-4017-ST-EX](#) [RAPCBRK](#) [K596](#)