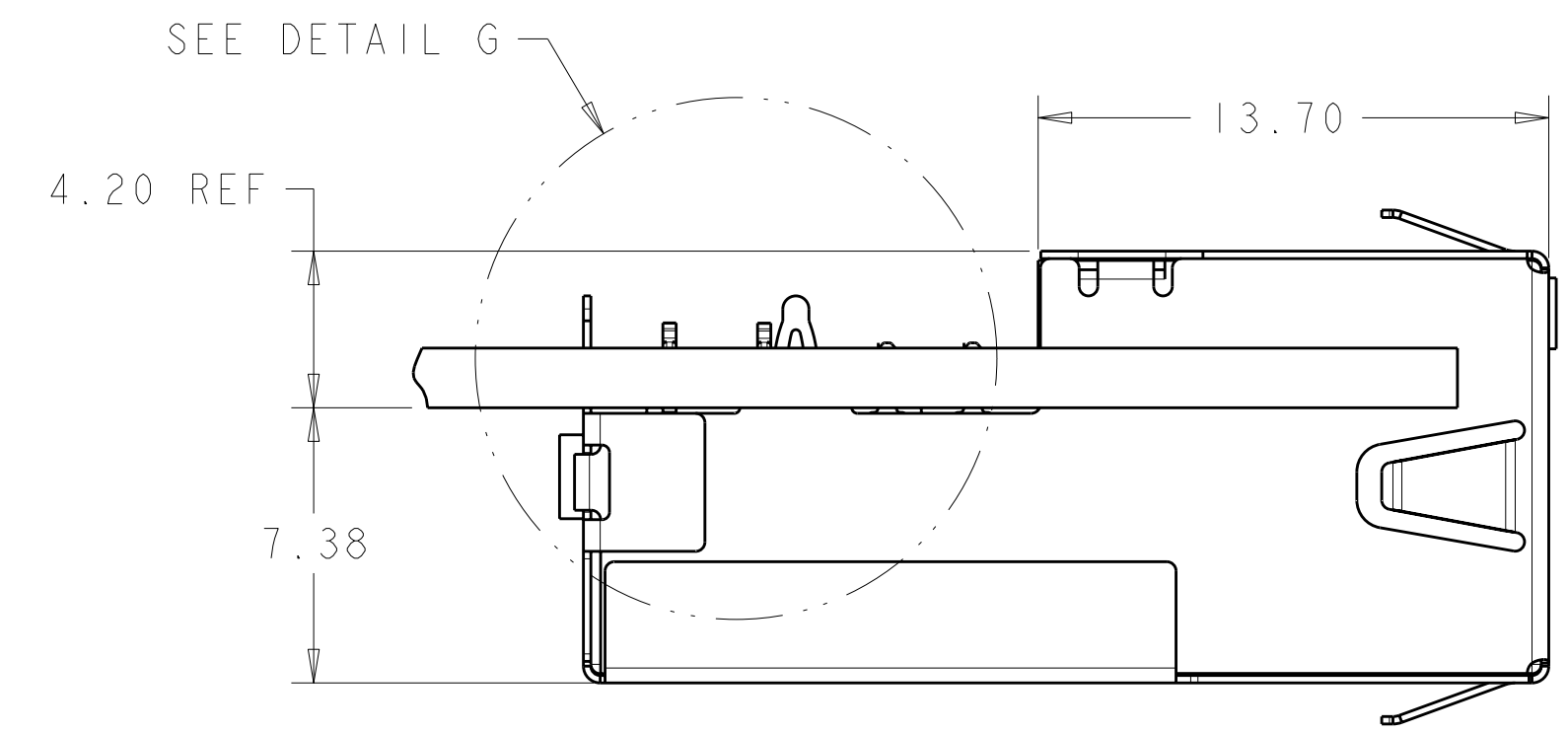
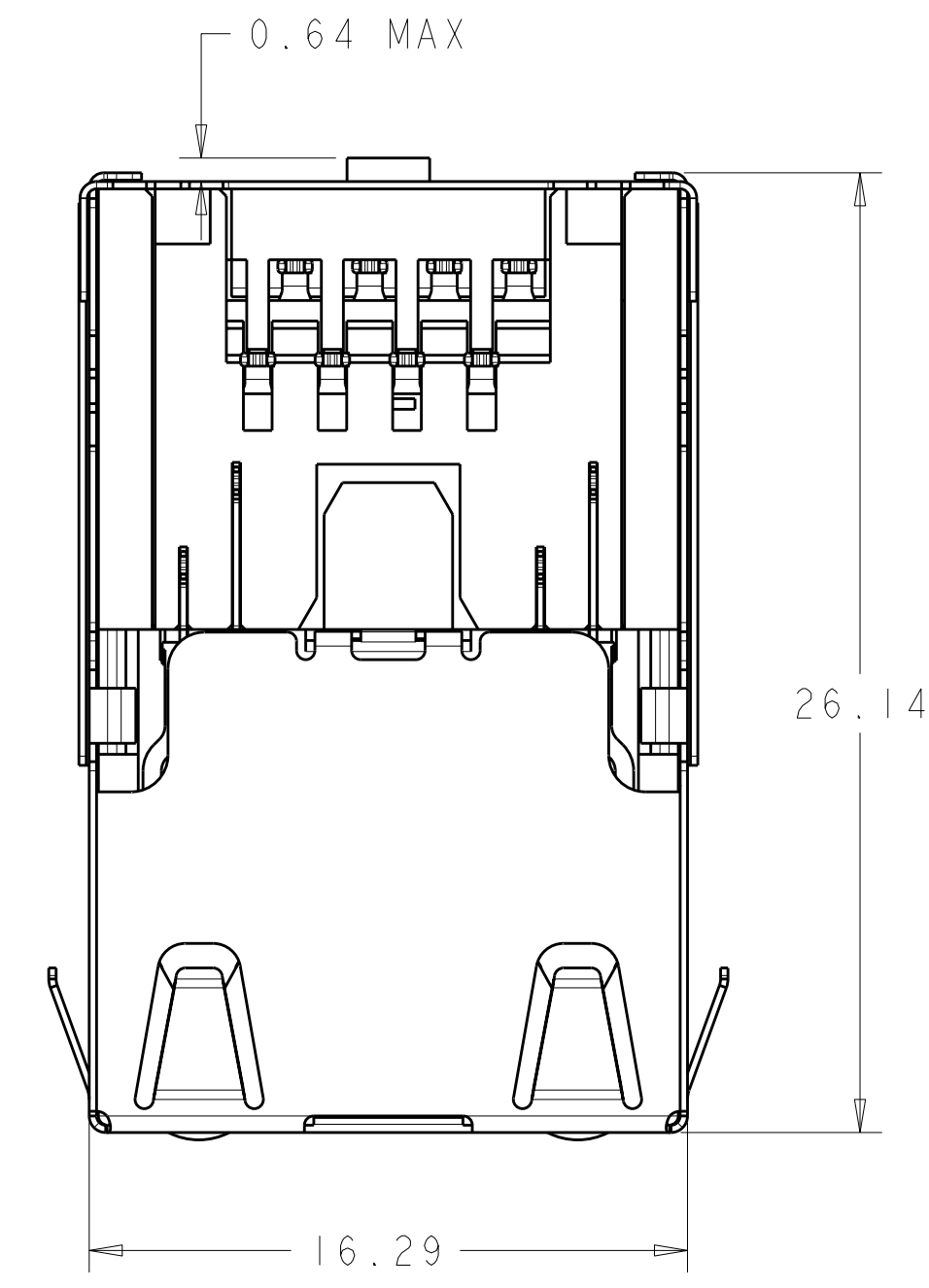
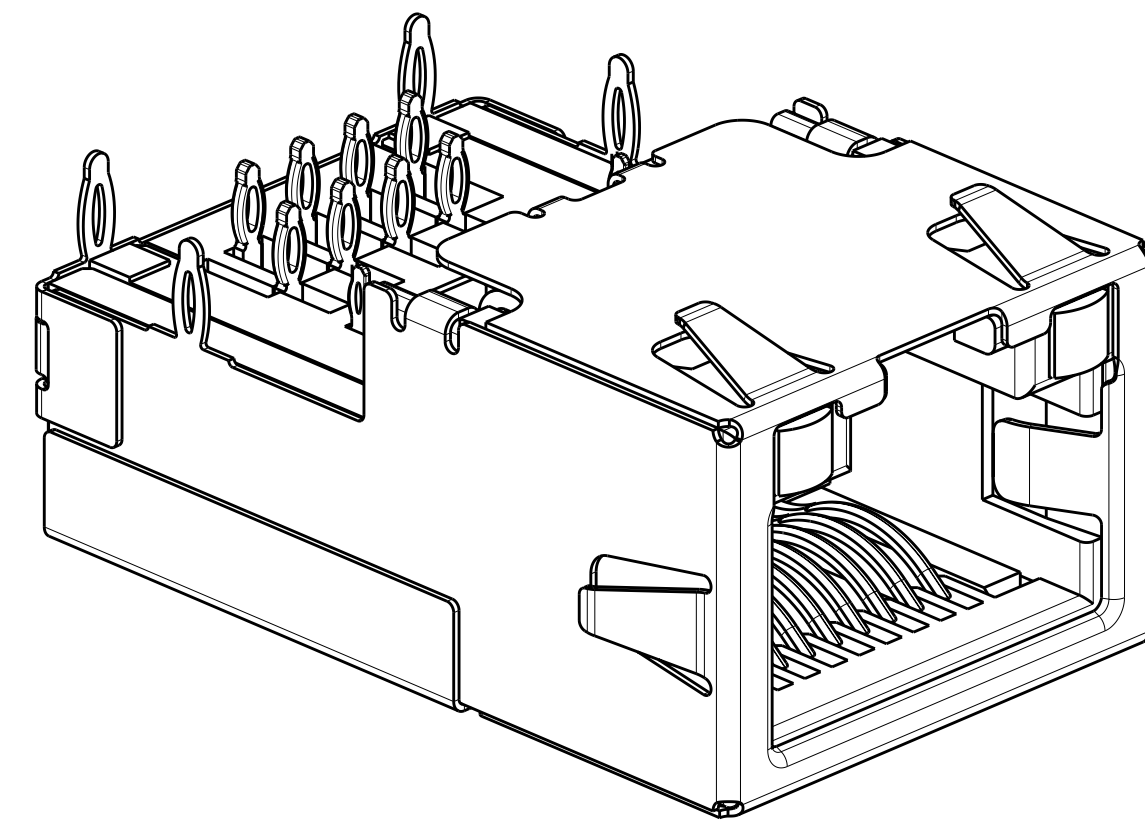
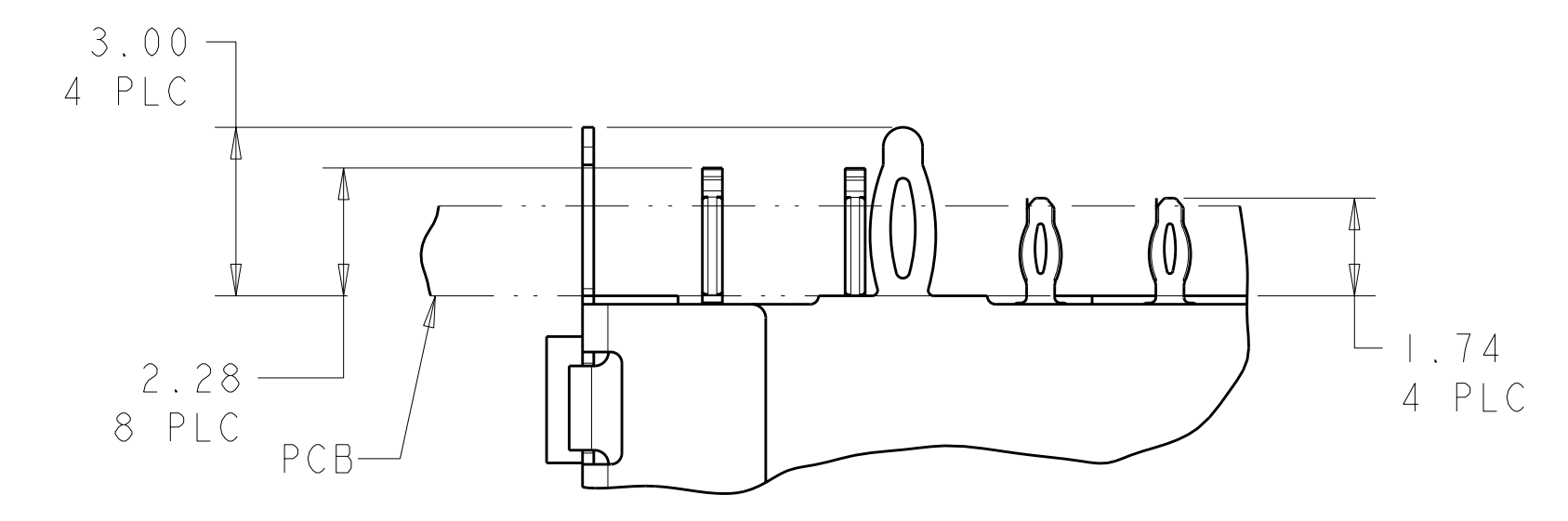
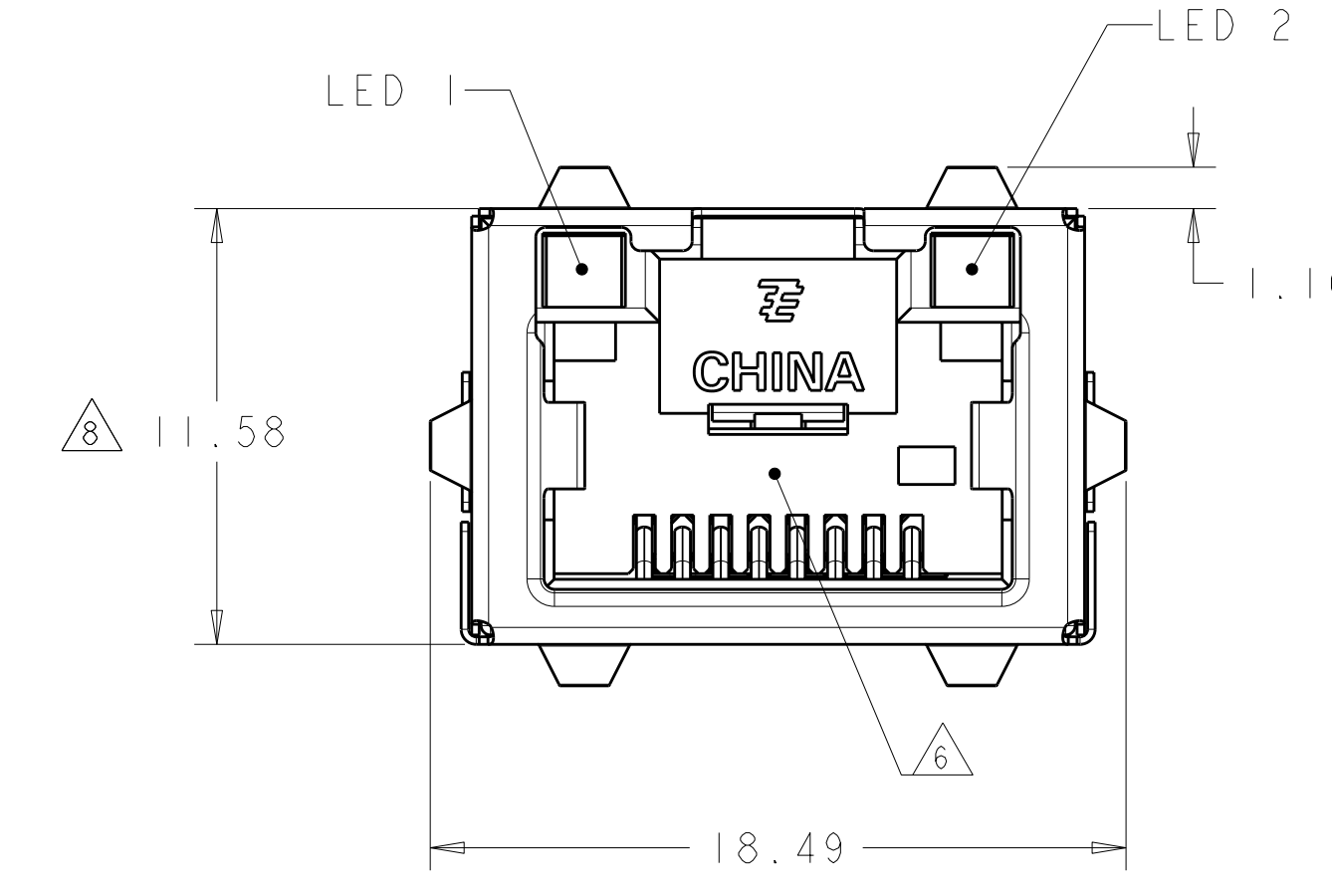


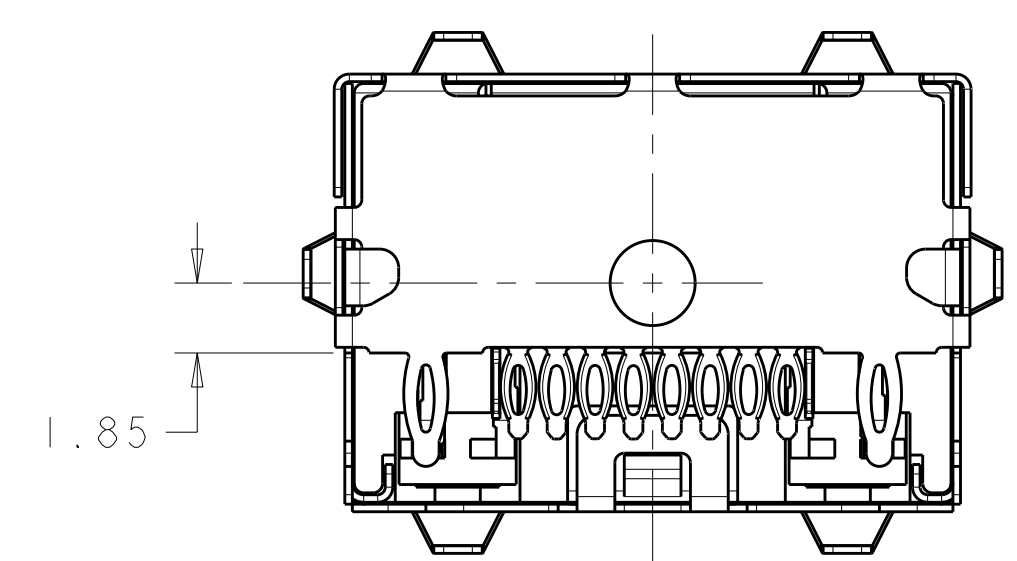
LOC	DIST	REVISIONS					
AA	00	P	LT#	DESCRIPTION	DATE	DWN	APVD
		B5		ECR-11-009822	11MAY2011	JJ	MOW
		C		ECR-12-002445	09FEB2012	JJ	AC



VIEW SHOWN ASSEMBLED TO PCB ONLY



DETAIL G SCALE 8:1



- MATERIALS:  
 HOUSING: BLACK THERMOPLASTIC, 94V-0.  
 SHIELD: COPPER ALLOY WITH 0.76µm MIN NICKEL PLATE  
 CONTACTS: PHOSPHOR BRONZE WITH 1.27µm MIN GOLD  
 AT MATING INTERFACE OVER 1.27µm MIN NICKEL UNDERPLATE.
- PERFORMANCE:  
 INSERTION LOSS: 0.4dB @ 100 MHz.  
 RETURN LOSS: 12.0dB @ 100 MHz.  
 CROSSTALK ATTENUATION: -43dB MINIMUM @ 100 MHz  
 CURRENT: 0.6 AMPERE MAXIMUM PER SINGAL CONTACT.
- LED'S COMPLIANT WITH IEC60825-1 SAFETY OF LASER PRODUCTS WHEN OPERATED AT CURRENT OF 20mA.
- ALL DIMENSIONS NOMINAL.
- RECOMMENDED MOTHERBOARD PCB THICKNESS: 1.60±0.16.
- $\triangle$  RJ45 PORT CONFORMS TO FCC RULES AND REGULATIONS PART 68 SUB-PART F.
- $\triangle$  TE LOGO, PART NUMBER, DATE CODE AND COUNTRY OF ORIGIN TO BE MARKED IN APPROXIMATE LOCATION SHOWN.
- $\triangle$  THIS DIMENSION MEETS THE ADVANCED MEZZANINE CARD (AMC) SPECIFICATION.
- $\triangle$  PIN 9,10,11,12 ARE LED LEAD PINS, For 1888250-3, NO LED INTEGRATED, HOLES ON PCB FOR THESE PINS ARE ONLY OPTIONAL.

YELLOW	GREEN	1888250-5
GREEN	GREEN	1888250-4
-	-	1888250-3
GRN/YEL	GRN/YEL	1888250-2
GREEN	YELLOW	1888250-1
LED #1	LED #2	PART NUMBER

THIS DRAWING IS A CONTROLLED DOCUMENT.

DIMENSIONS:	TOLERANCES UNLESS OTHERWISE SPECIFIED:	DWN: MS/L.A.MAYER 15FEB2008	CHK: J.WESTMAN 13FEB2008	APVD: S.FLICKINGER 15FEB2008
mm	9 PLC ±	PRODUCT SPEC	108-2274	APPLICATION SPEC
	1 PLC ±0.13	114-13179	WEIGHT	
	5 PLC ±	FINISH	SEE NOTE 1	
	4 PLC ±			
	ANGLES ±°			

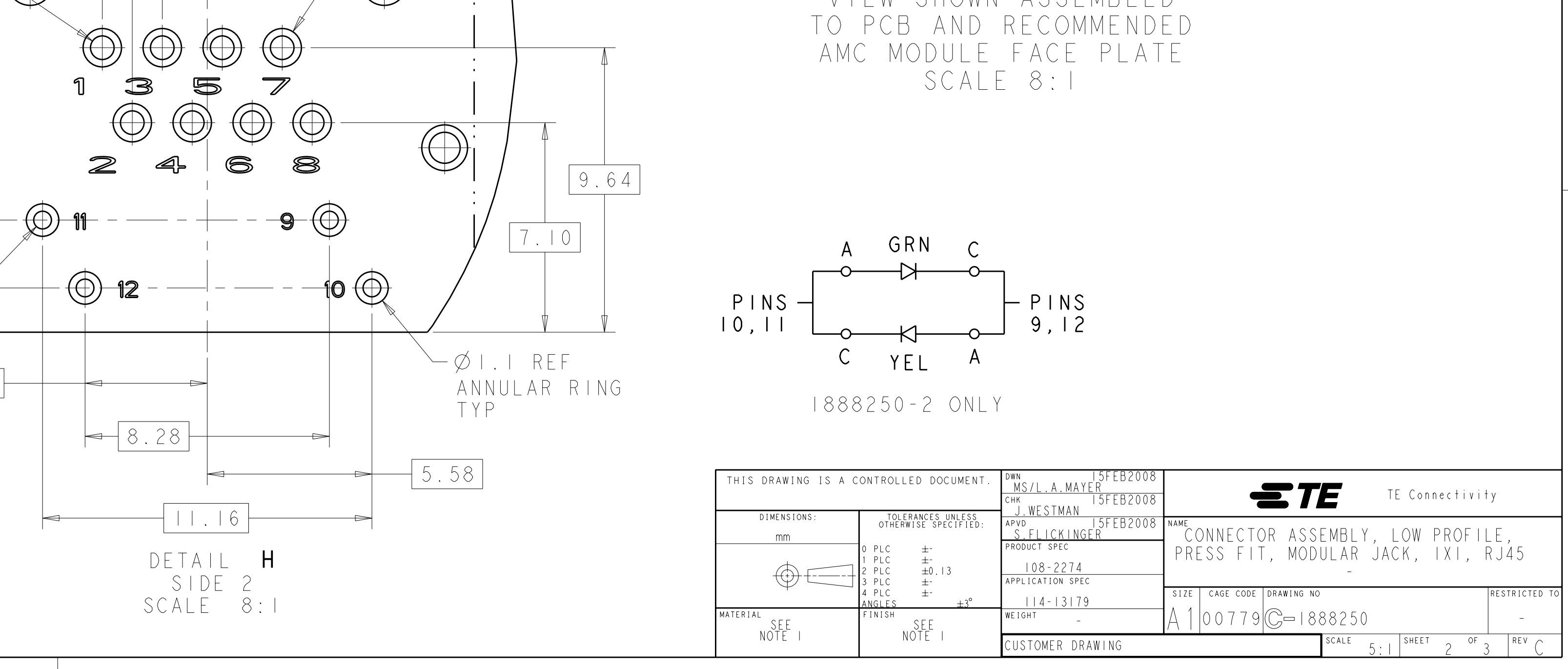
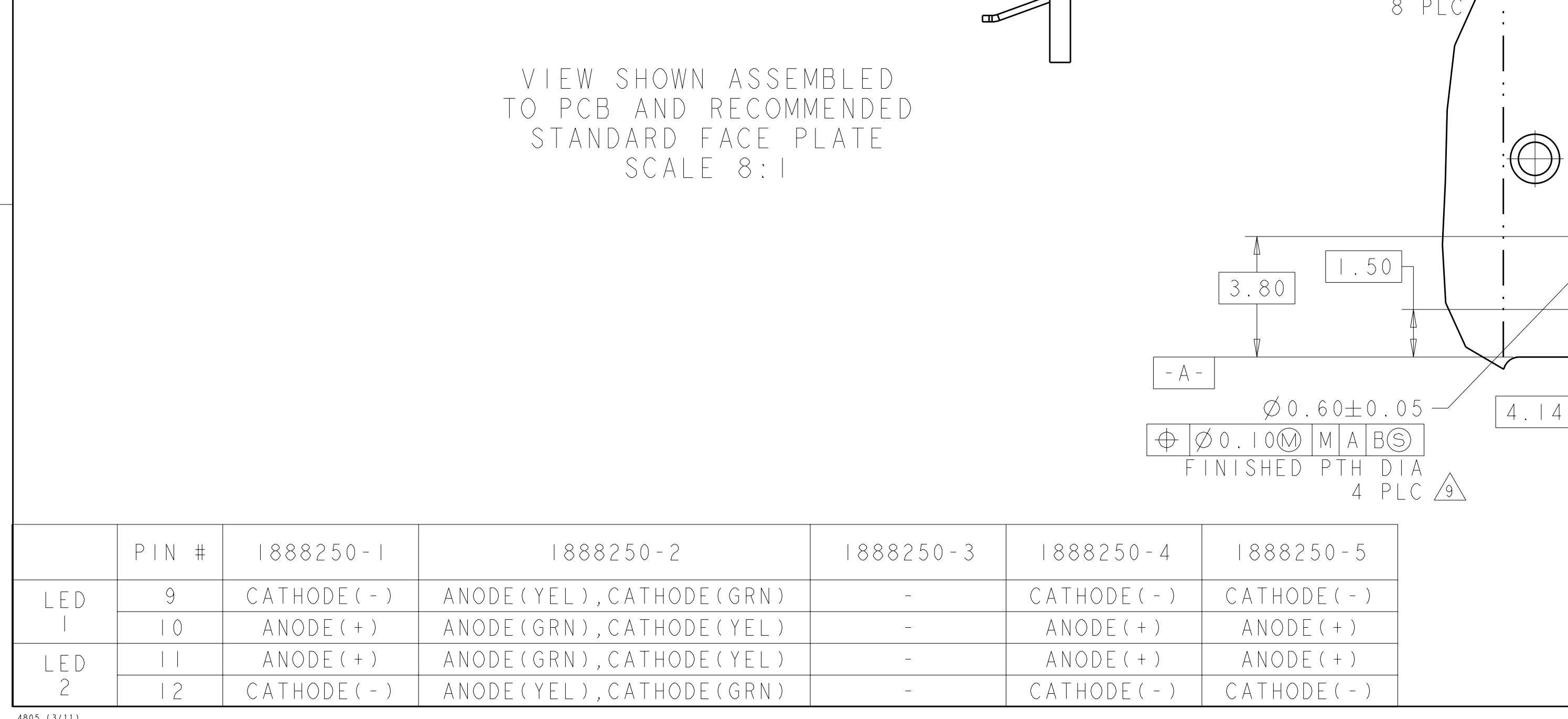
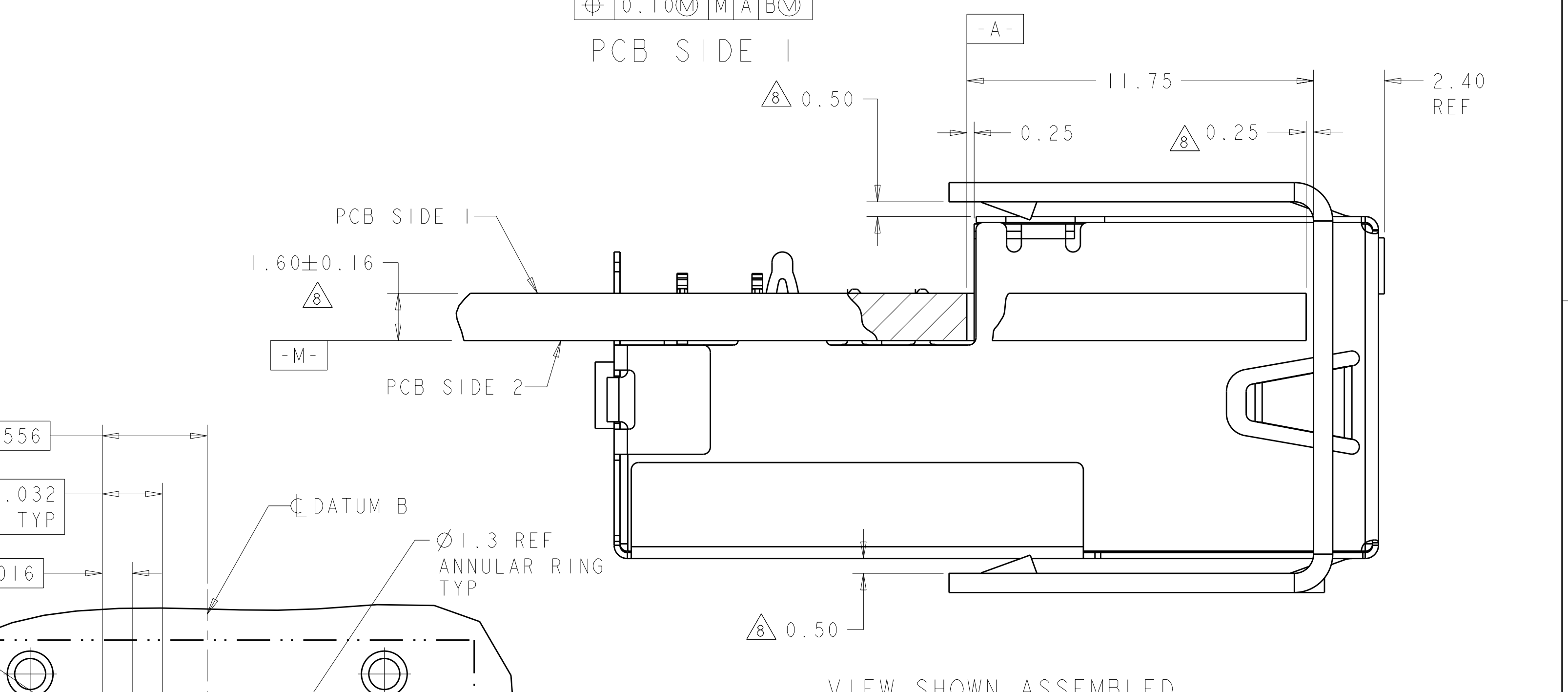
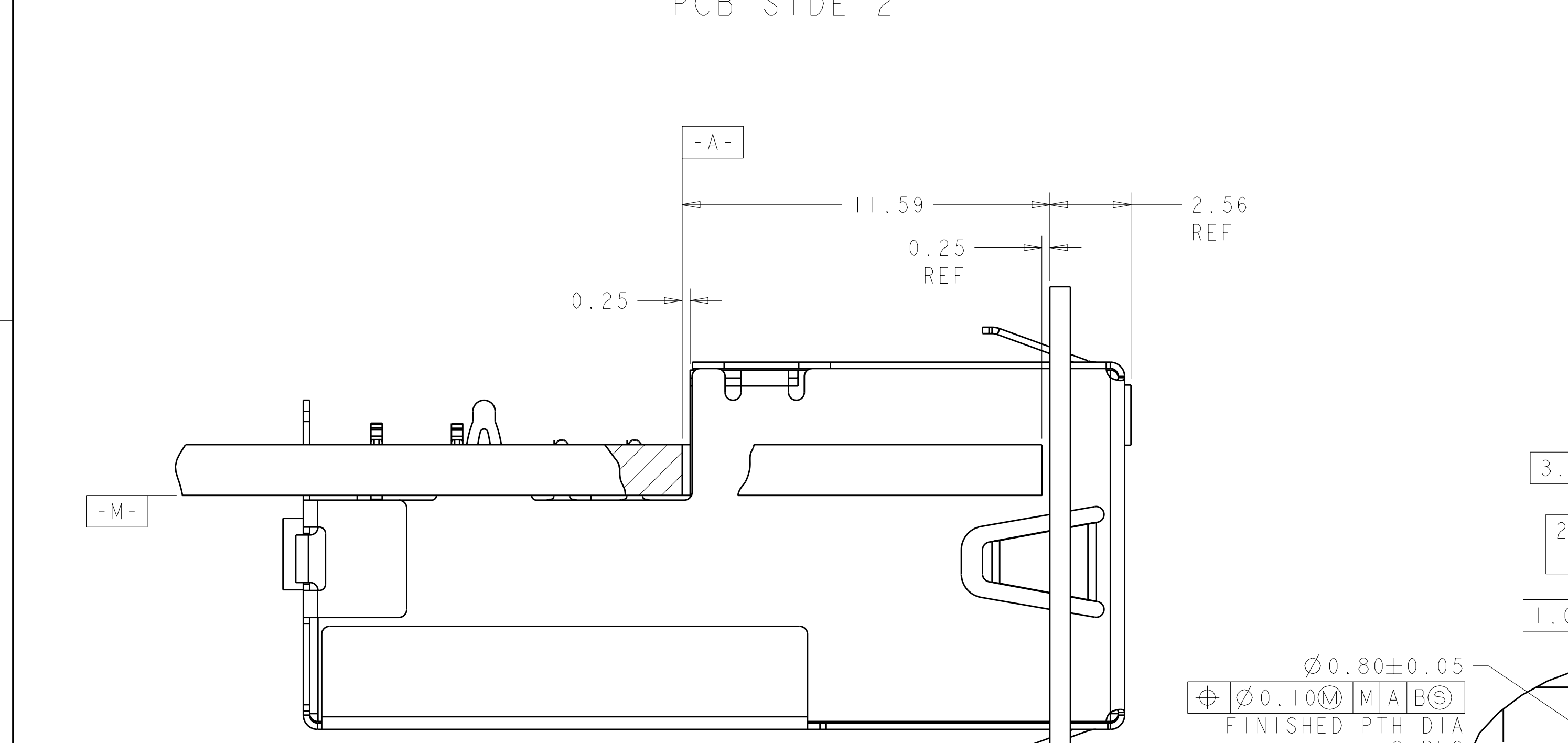
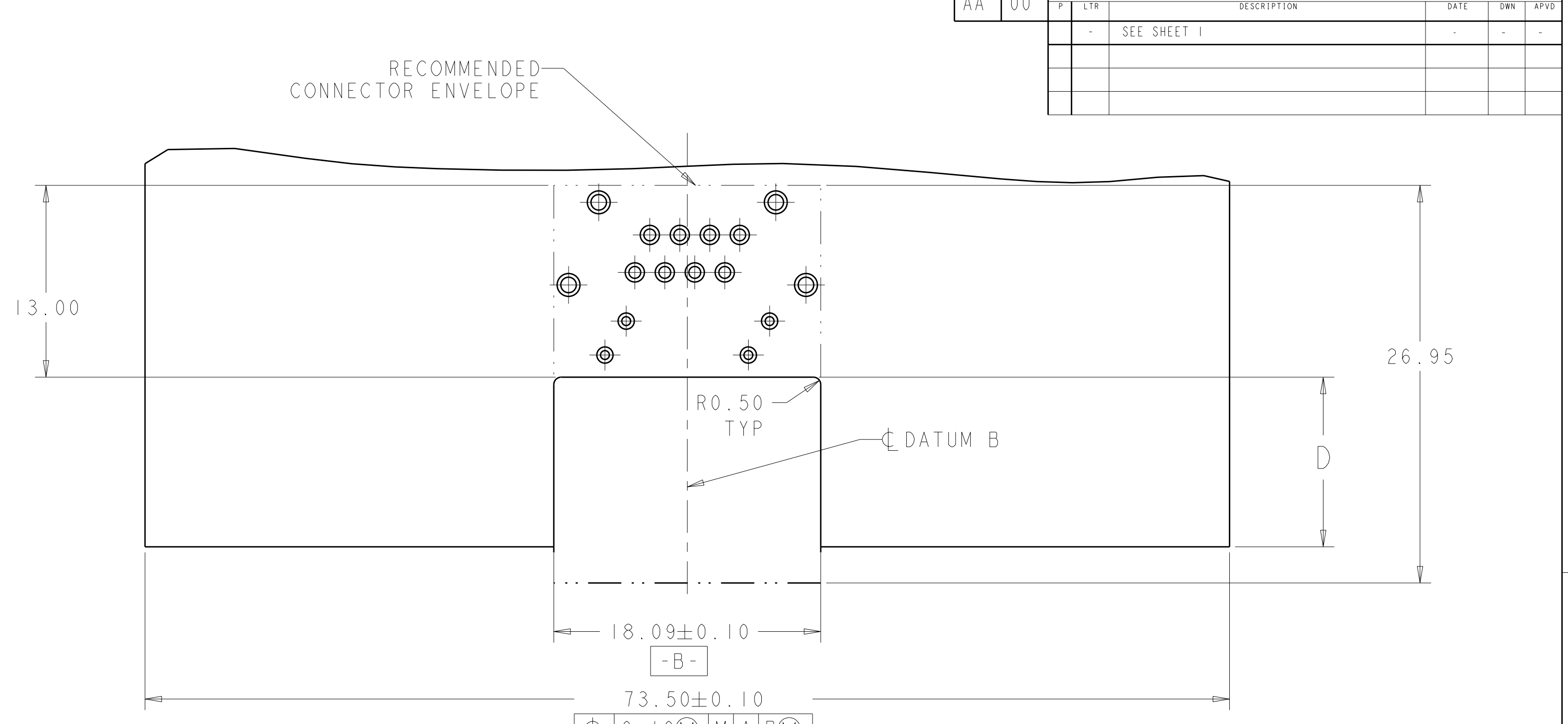
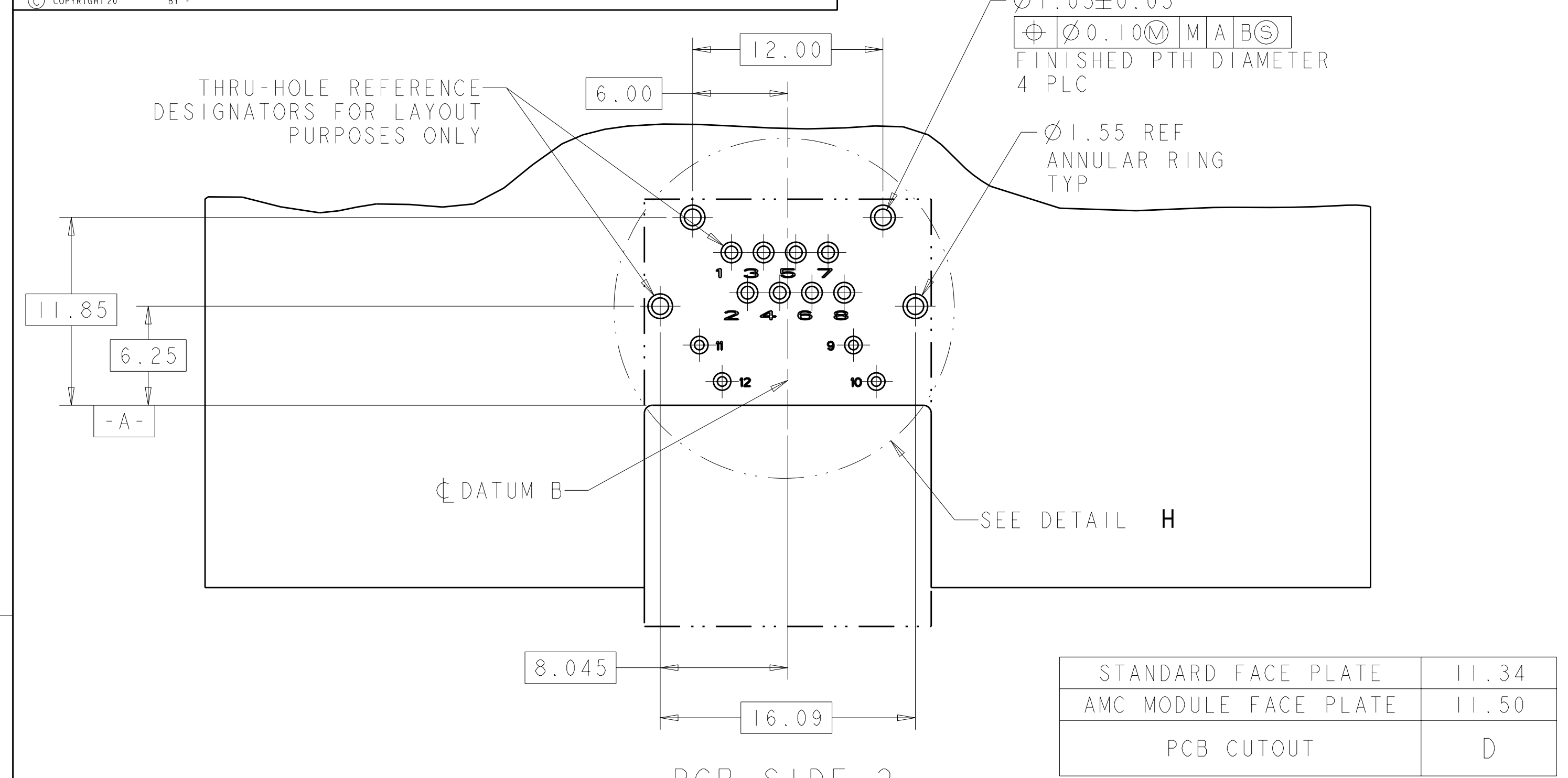
MATERIAL: SEE NOTE 1

NAME: CONNECTOR ASSEMBLY, LOW PROFILE, PRESS FIT, MODULAR JACK, 1X1, RJ45

SIZE: A1100779 CAGE CODE: 1888250 DRAWING NO: 1888250-3

CUSTOMER DRAWING SCALE: 1:1 SHEET 1 OF 3 REV C

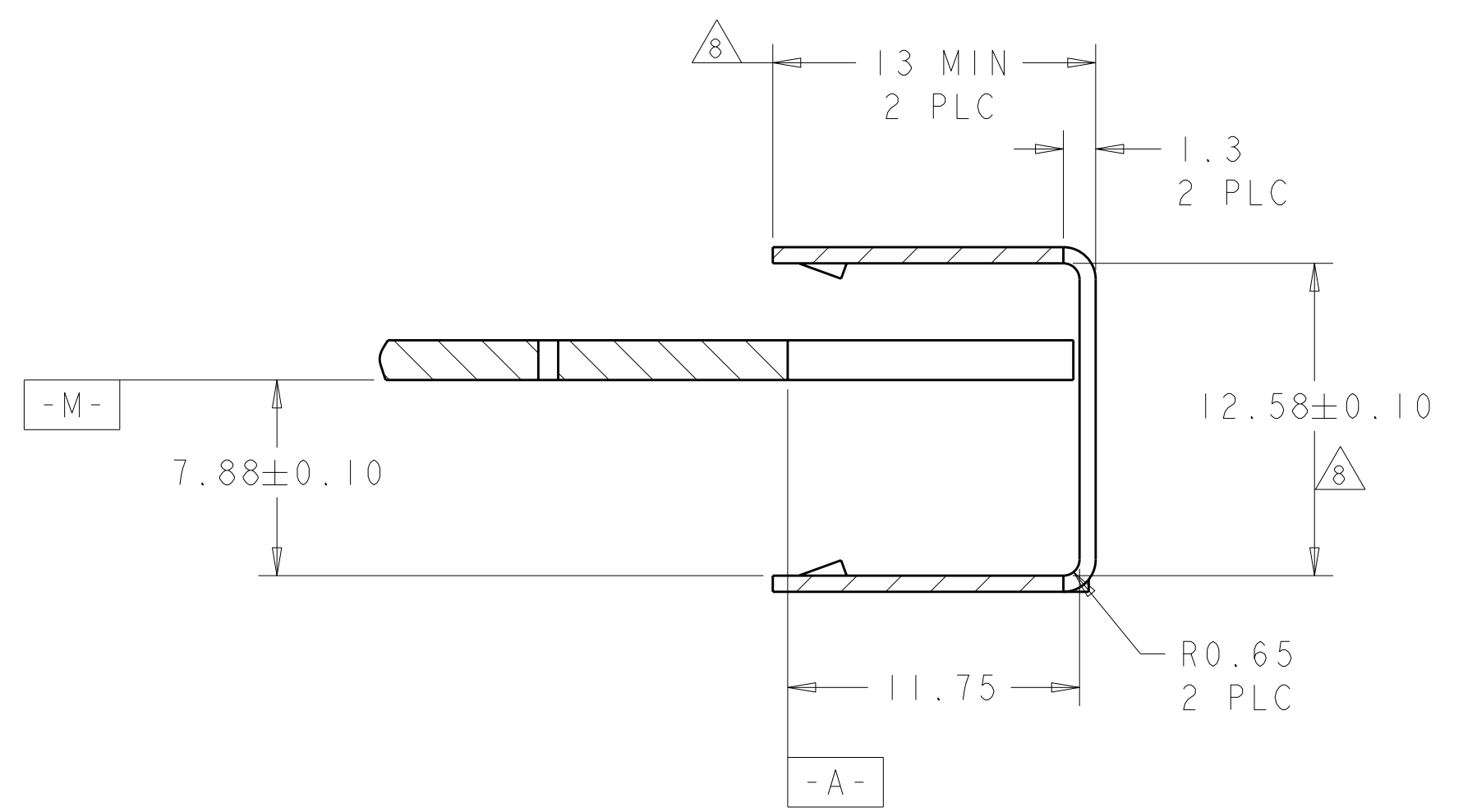
LOC	DIST	REV	DATE	BY	APPD
AA	00				



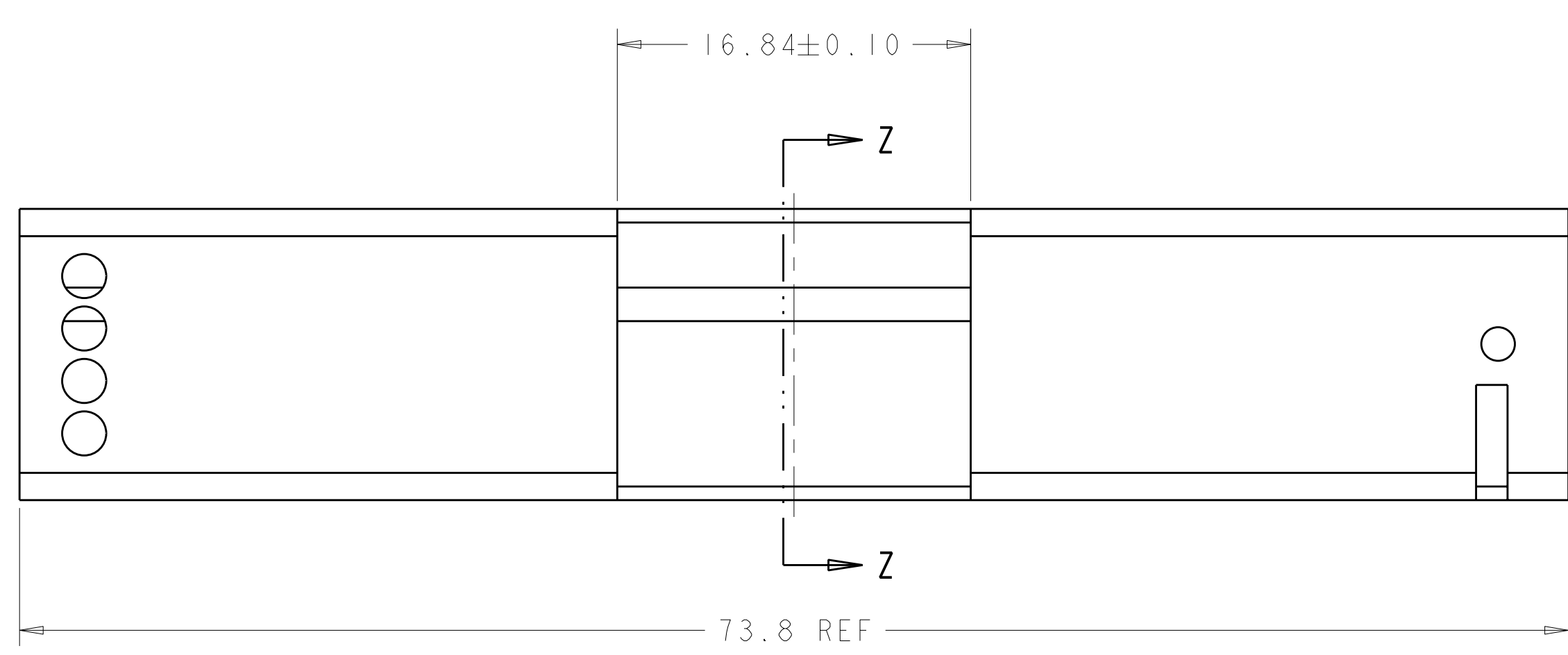
LOC	DIST	REV	DATE	BY	APPD
AA	00				

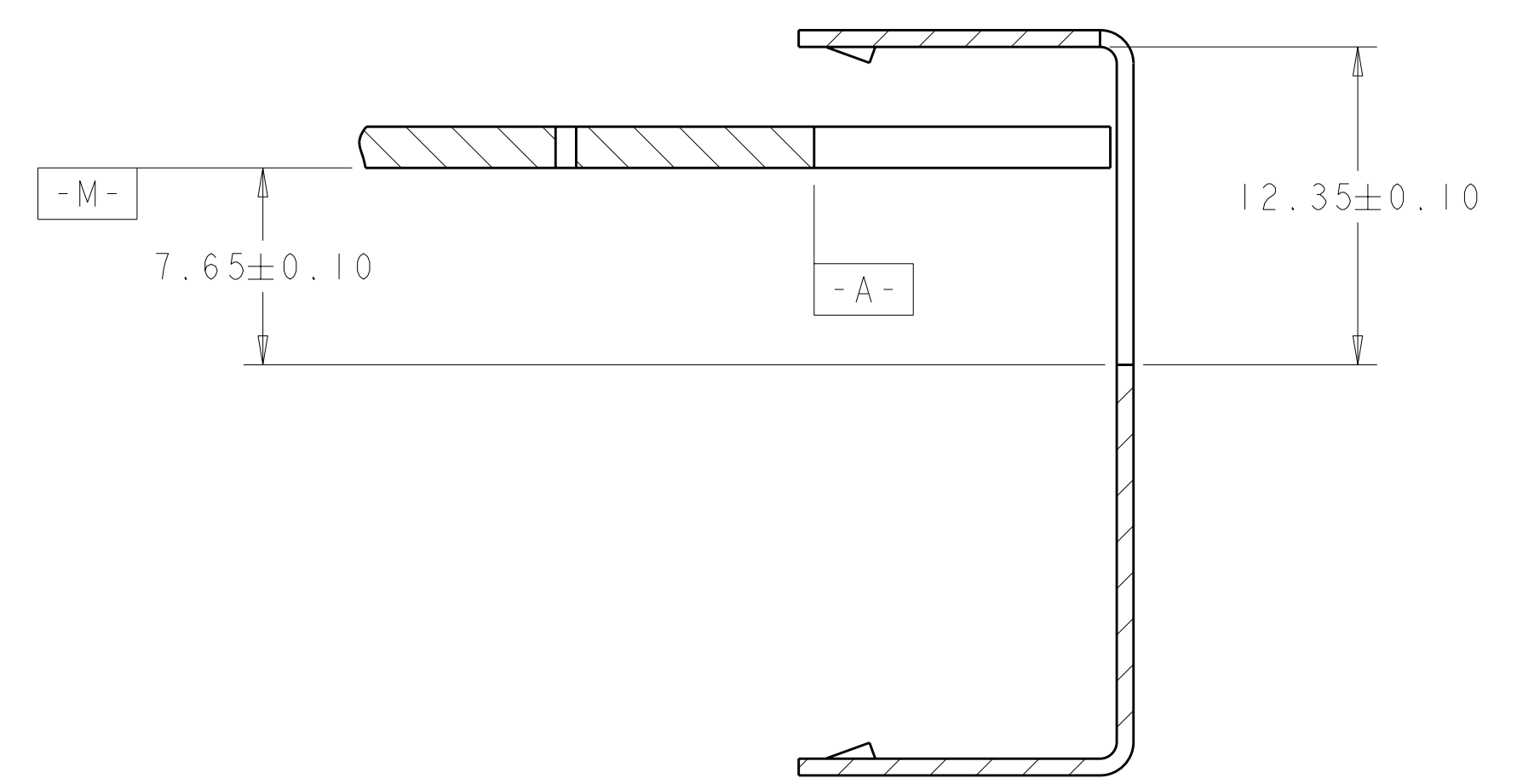
REVISIONS			
REV	DATE	BY	APPD
-	-	-	-
-	-	-	-



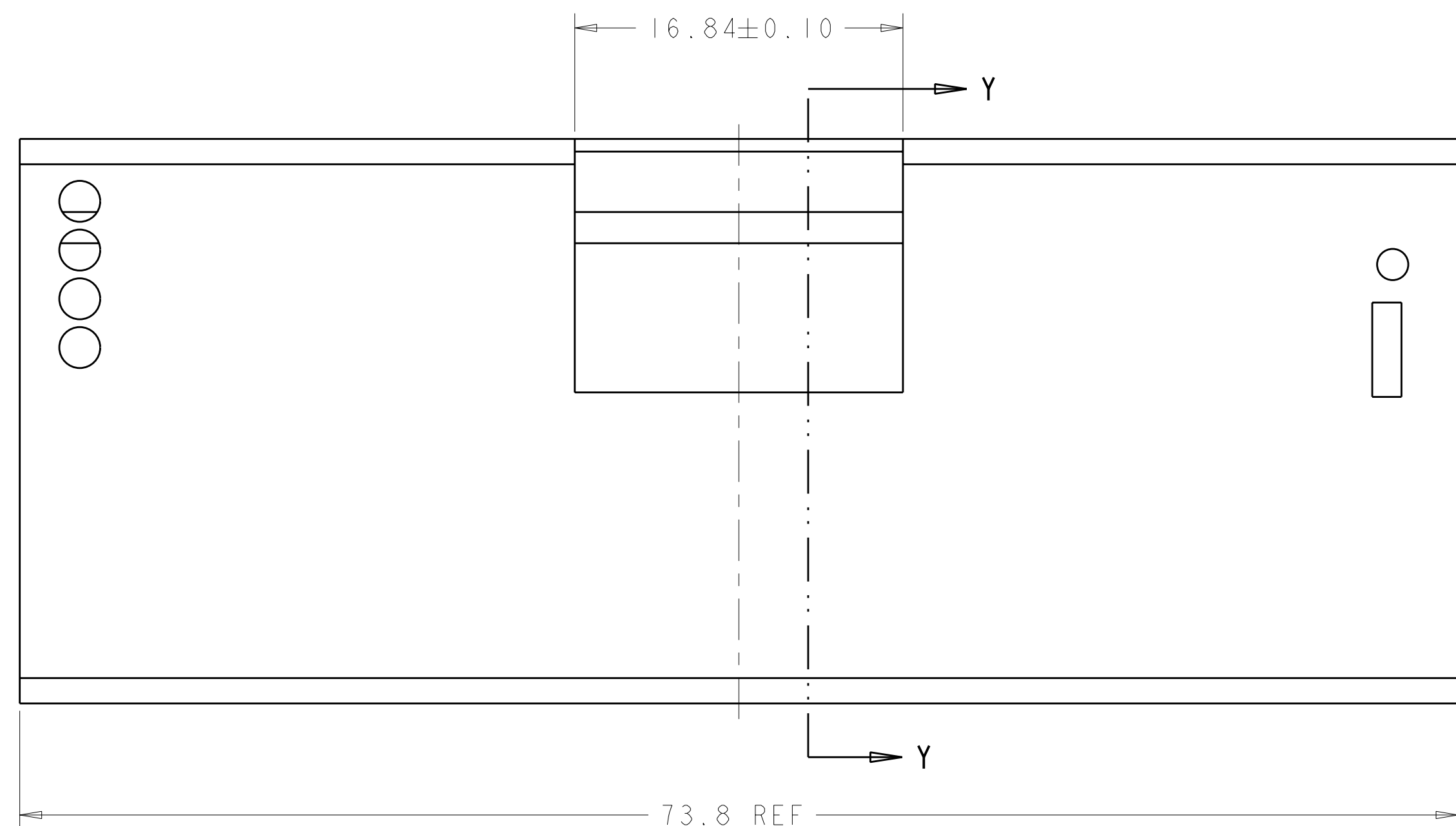
SECTION Z-Z



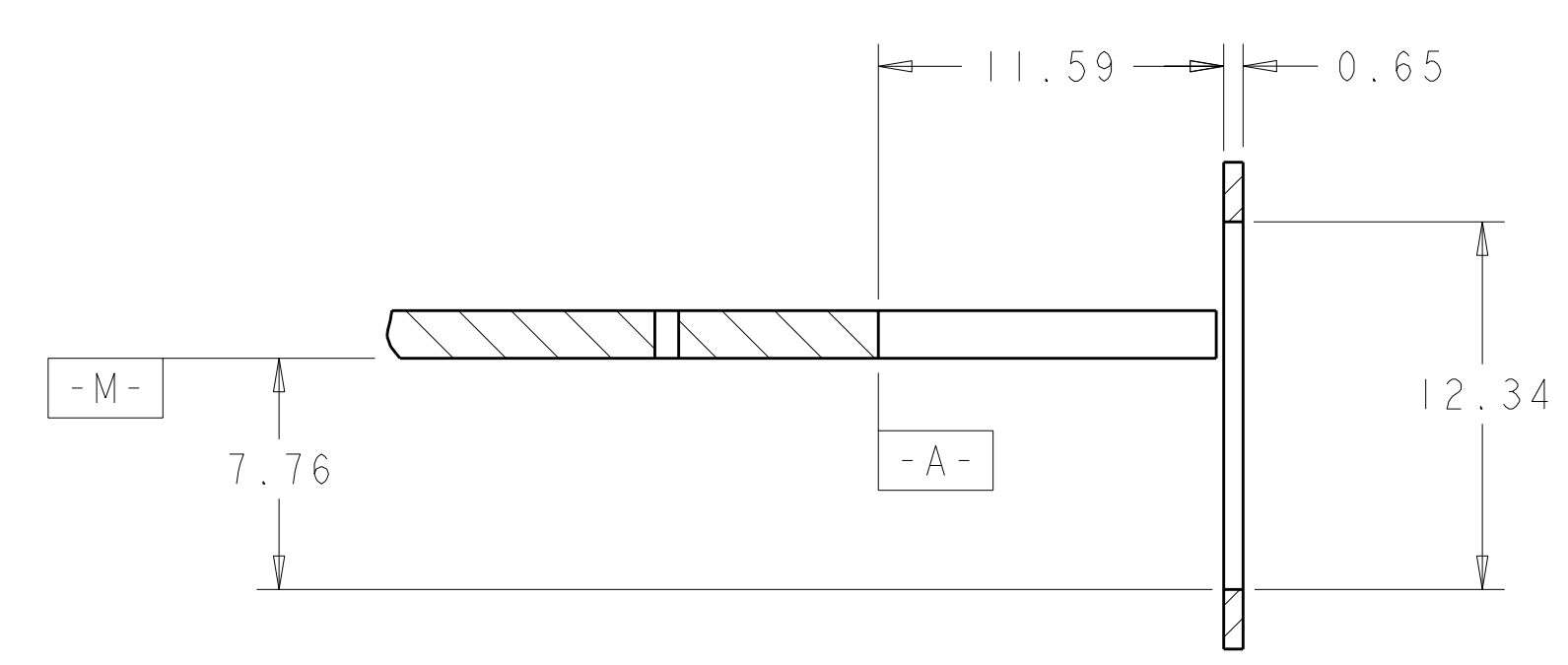
AMC SINGLE WIDTH, HALF HEIGHT MODULE FACE PLATE  
SCALE 4:1



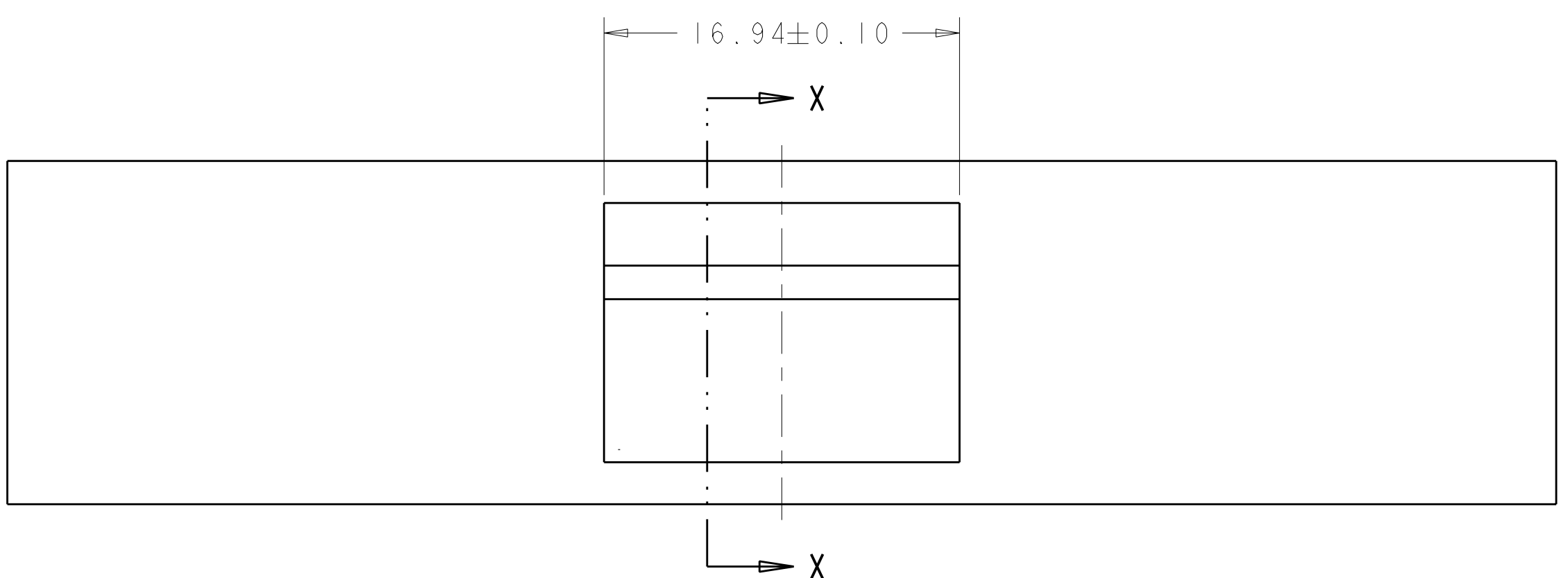
SECTION Y-Y



AMC SINGLE WIDTH, FULL HEIGHT MODULE FACE PLATE  
SCALE 4:1



SECTION X-X



STANDARD FACE PLATE  
SCALE 4:1

THIS DRAWING IS A CONTROLLED DOCUMENT.		DWN: MS/L.A.MAYER 15FEB2008	TE Connectivity
DIMENSIONS: mm		CHK: J.WESTMAN 13FEB2008	
TOLERANCES UNLESS OTHERWISE SPECIFIED:		APVD: S.FLICKINGER 15FEB2008	NAME: CONNECTOR ASSEMBLY, LOW PROFILE, PRESS FIT, MODULAR JACK, 1X1, RJ45 PRODUCT SPEC: 108-2274 APPLICATION SPEC: 114-13179
0 PLC ± 1 PLC ±0.13 2 PLC ± 3 PLC ± 4 PLC ± ANGLES ±° FINISH SEE NOTE 1		SIZE: A100779 CAGE CODE: C=1888250 DRAWING NO: 108-2274 CUSTOMER DRAWING	
MATERIAL: SEE NOTE 1		WEIGHT: -	RESTRICTED TO: -
SCALE: 5:1		SHEET: 3 OF 3	REV: C

## X-ON Electronics

Largest Supplier of Electrical and Electronic Components

*Click to view similar products for [Modular Connectors / Ethernet Connectors](#) category:*

*Click to view products by [TE Connectivity](#) manufacturer:*

Other Similar products are found below :

[RJE231881317T](#) [MP1010RX-1000](#) [MP44RX-1000](#) [GAX-3-66](#) [GAX-8-62](#) [93606-0253](#) [GD-A-44](#) [GDCX-PA-66-50](#) [GDCX-PN-64](#) [GDCX-PN-66](#) [GDCX-PN-66-50](#) [GDLX-A-66](#) [GDLX-A-88](#) [GDLX-N-66](#) [GDLX-S-88K](#) [GDTX-S-88-50](#) [GDX-PA-1010](#) [GLX-A-44](#) [GLX-N-1010M-BLK](#) [GLX-N-44M](#) [GLX-S-88M-BLK](#) [GMX-N-1010](#) [GMX-S-1010](#) [GMX-S-66](#) [GMX-SMT2-N-1010](#) [GMX-SMT2-N-64-50](#) [GMX-SMT2-S6-88](#) [GMX-SMT4-N-88](#) [GPX-2-64](#) [GRT1-BT1-5](#) [GSGX-N-2-88](#) [GSX-NS2-88-3.05](#) [GSX-NS2-88-3.05-50](#) [GSX-NS-88-3.05-30](#) [GSX-NS-88-3.05-50](#) [GSX-NS-88-3.68](#) [1-1775629-2](#) [GWLX-S-88-GR](#) [GWLX-S9-88-YG](#) [1300500326](#) [1300500227](#) [1300530003](#) [1300570002](#) [1324640-4](#) [RJ11FTVC2G](#) [RJ11FTVC2N](#) [RJFTVX2SA1G](#) [132764-001](#) [1400000](#) [1413176](#)