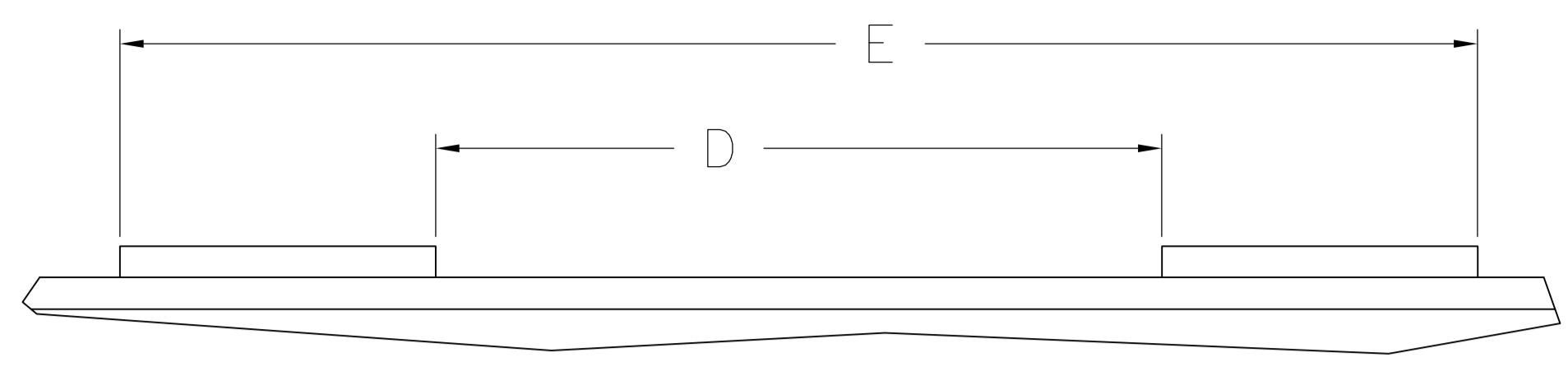
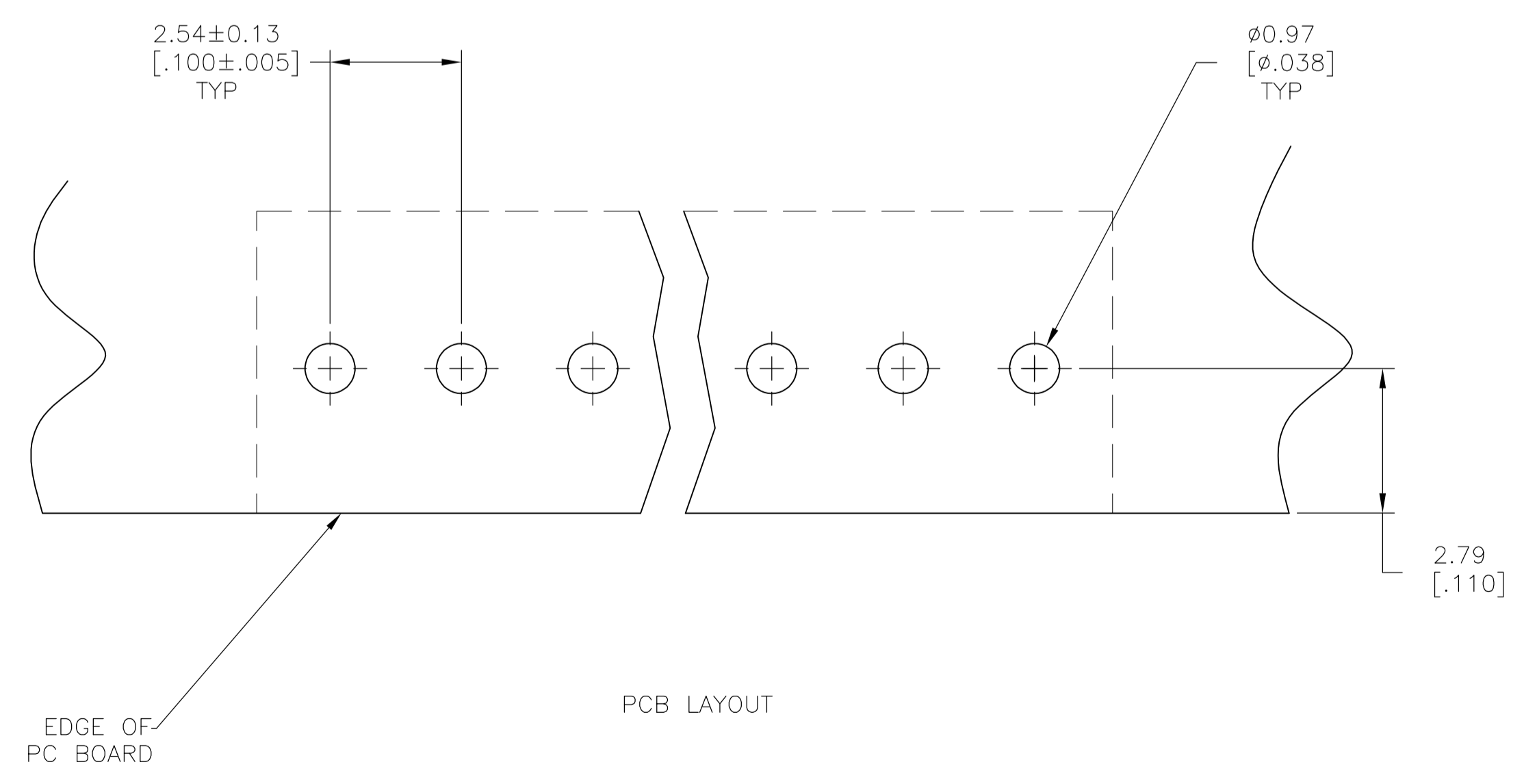
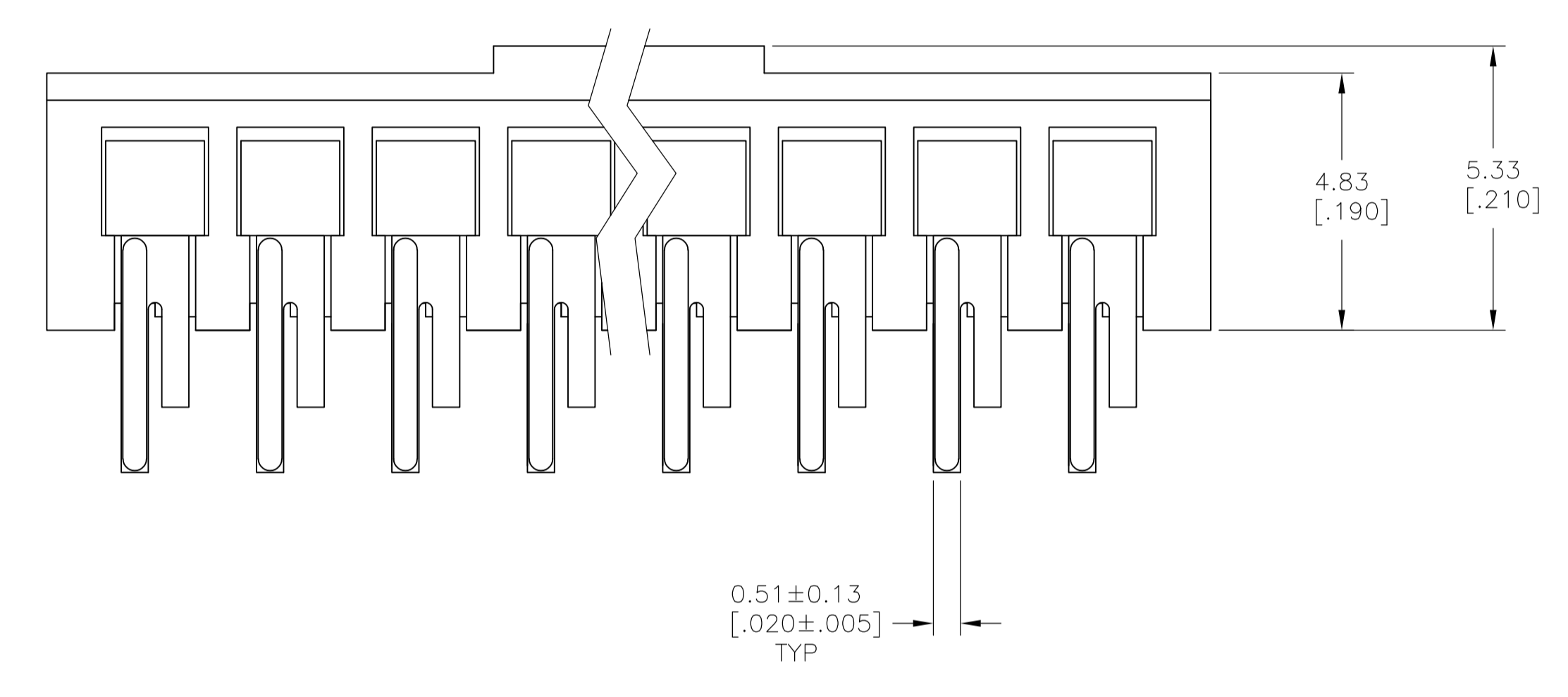
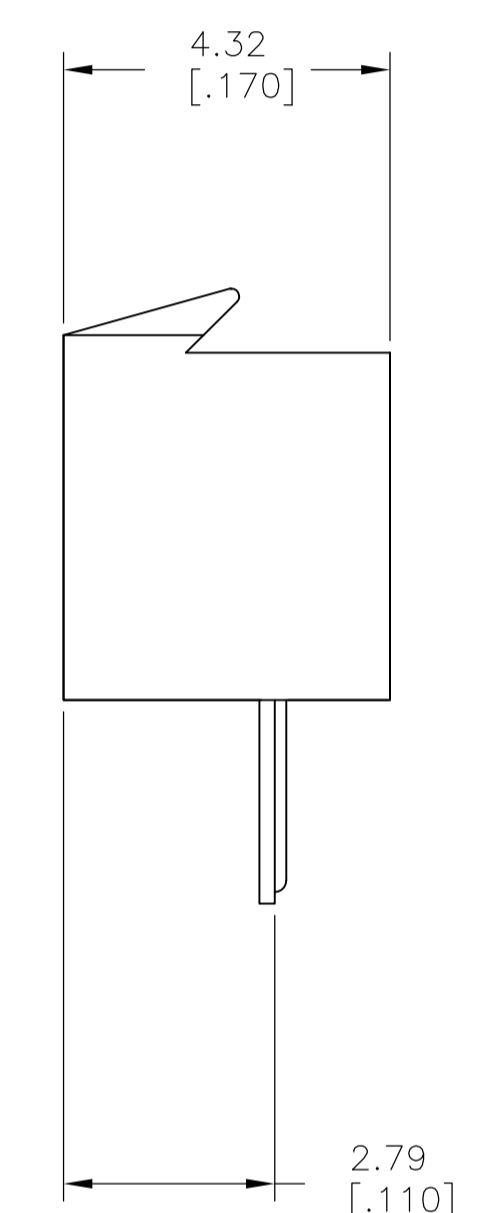
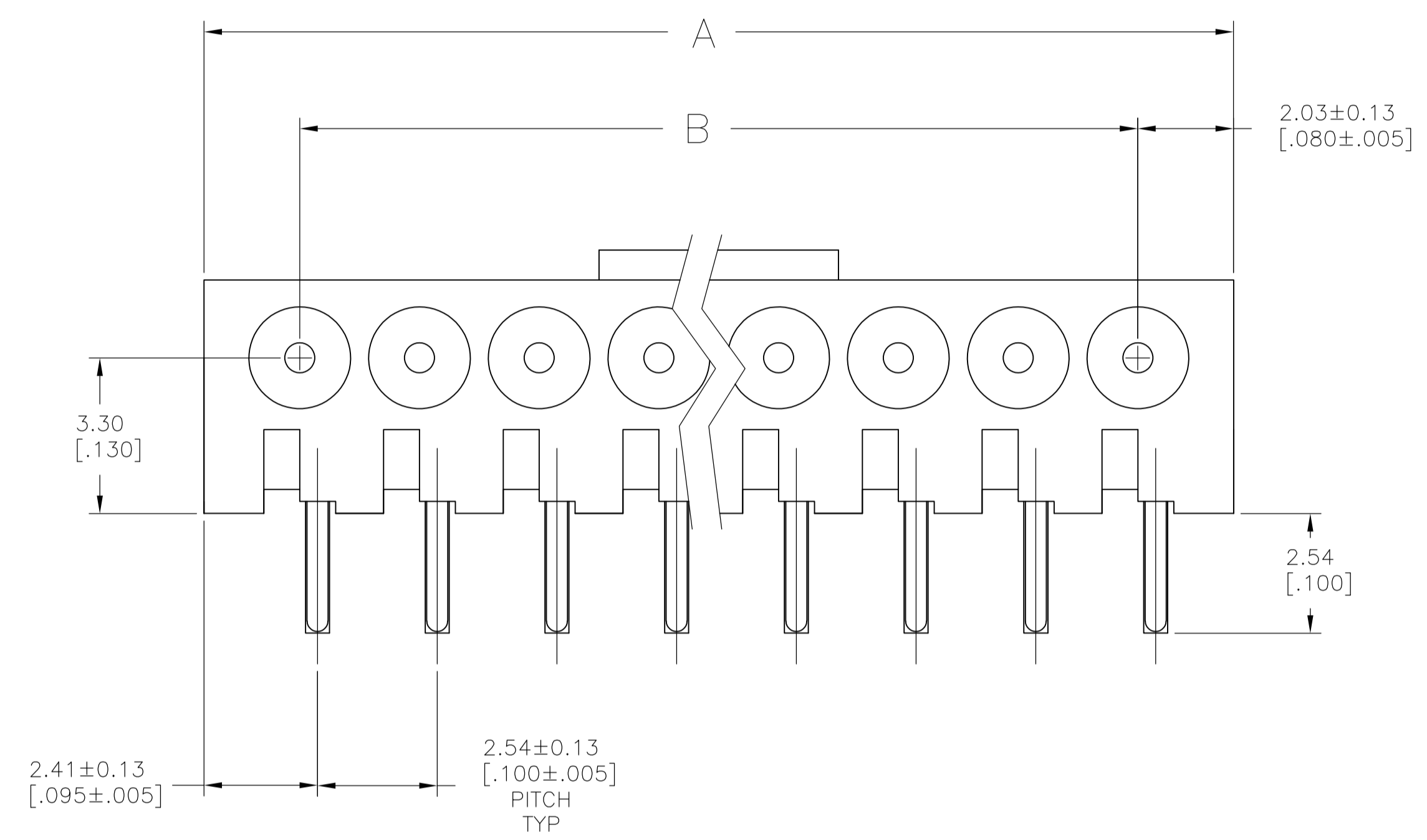


SINGLE LATCH



DUAL LATCH

- 1 MATERIAL:  
HOUSING: 30% GF POLYESTER, COLOR: BLUE.  
CONTACTS: COPPER ALLOY
- 2 FINISH: 2.54 $\mu$ m [.000100] MIN THICK MATTE TIN OVER  
2.54 $\mu$ m [.000100] MIN THICK NICKEL UNDERPLATE.
- 3. PACKAGED IN TUBES



EDGE OF PCB BOARD  
PCB LAYOUT

42.16 (1.660)	32.00 (1.260)	N/A	58.42 (2.300)	62.48 (2.460)	24	FHS-24LF	1888290-9
32.00 (1.260)	21.84 (0.860)	N/A	48.26 (1.900)	52.32 (2.060)	20	FHS-20LF	1888290-8
32.00 (1.260)	21.84 (0.860)	N/A	43.18 (1.700)	47.25 (1.860)	18	FHS-18LF	1888290-7
21.84 (0.860)	11.68 (0.460)	N/A	38.10 (1.500)	42.16 (1.660)	16	FHS-16LF	1888290-6
21.84 (0.860)	11.68 (0.460)	N/A	33.02 (1.300)	37.08 (1.460)	14	FHS-14LF	1888290-5
			27.94 (1.100)	32.00 (1.260)	12	FHS-12LF	1888290-4
N/A	N/A	7.62 (0.300)	22.86 (0.900)	26.92 (1.060)	10	FHS-10LF	1888290-3
N/A	N/A	7.62 (0.300)	20.32 (0.800)	24.38 (0.960)	9	FHS-09LF	1888290-2
N/A	N/A	5.08 (0.200)	17.78 (0.700)	21.84 (0.860)	8	FHS-08LF	1888290-1
E	D	C	B	A	NO OF POSN	T&B CATALOG NUMBER REF	TE PART NUMBER

OBSOLETE

THIS DRAWING IS A CONTROLLED DOCUMENT.

DIMENSIONS:	TOLERANCES UNLESS OTHERWISE SPECIFIED:	DIN D1 MCMMASTER	06JUN06
mm [INCHES]	0 PLC ± -	06JUN06	06JUN06
	1 PLC ± -	06JUN06	06JUN06
	2 PLC ± ±.25[.010]	06JUN06	06JUN06
	3 PLC ± -	06JUN06	06JUN06
	4 PLC ± -	06JUN06	06JUN06
	ANGLES ± -	06JUN06	06JUN06

MATERIAL: FINISH: WEIGHT: A1 00779 C=1888290

CUSTOMER DRAWING SCALE 10:1 SHEET 1 OF 1 REV C

STE TE Connectivity  
ASSEMBLY, RIGHT ANGLE SOCKET CONNECTOR

## X-ON Electronics

Largest Supplier of Electrical and Electronic Components

*Click to view similar products for [FFC & FPC Connectors](#) category:*

*Click to view products by [TE Connectivity](#) manufacturer:*

Other Similar products are found below :

[HFW11R-1STE1H1LF](#) [FH29B-100S-0.2SHW\(99\)](#) [FA5S008HP1](#) [FH29B-120S-0.2SHW\(99\)](#) [FH29B-80S-0.2SHW\(99\)](#) [FHS-16](#) [FPH-2022G](#)  
[52610-1075](#) [52610-1275](#) [52610-1934](#) [XF3M\(1\)-1415-1B-R100](#) [501864-3091-TR225](#) [0525594033](#) [086210010340800](#) [086222026001800](#)  
[52271-2869-CUT-TAPE](#) [62674-201121DLF](#) [62684-36210E9ALF](#) [52610-1675](#) [52746-1671-TR250](#) [10051922-2810EHLF](#) [6-520415-9](#)  
[BD021-09A-A1-0350-0200-0550-LD](#) [SFV6R-1STE9HLF](#) [XF3M-2915-1B-R100](#) [1658549-1](#) [62674-221121ALF](#) [46214008010800](#)  
[046298003000883](#) [151660622](#) [842-816-2630-035](#) [AYF530665TA](#) [AYF351525](#) [046296011930846+](#) [AYF352325A](#) [046254020000800+](#)  
[FH19C-13S-0.5SH\(99\)](#) [FH39J-51S-0.3SHW\(99\)](#) [AYF355125A](#) [AYF530365TA](#) [FH29B-44S-0.2SHW\(99\)](#) [SFW5R-2STAE9LF](#) [AYF351125A](#)  
[AYF350725A](#) [62684-502100AHLF](#) [FH39-61S-0.3SHW\(99\)](#) [AYF414035A](#) [10064555-172520HLF](#) [AYF212335A](#) [504754-2500](#)