



ul. Konstytucyjna 79/81
95-200 Pabianice
tel/fax 48 42 2270971 POLAND
e-mail: fif@fif.com.pl

CZF-333

PHASE CONTROL RELAYS

three phase monitors



www.fif.com.pl

F&F products are covered by an 24 months warranty from date of purchase

PURPOSE

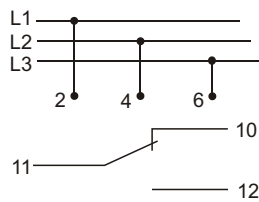
Three phase monitors serve to protect the three-phase electric motors supplied from three-phase mains, against phase collapse in at least one phase or against phase-to-phase voltage asymmetry, threatening to damage the motor.



ATTENTION!

Used a two switching joints of relay could to connect a new receiver or controlled system and LED or bell which will be inform about activation of relay i.e. switch OFF the motor.

WIRING DIAGRAM



FUNCTIONING

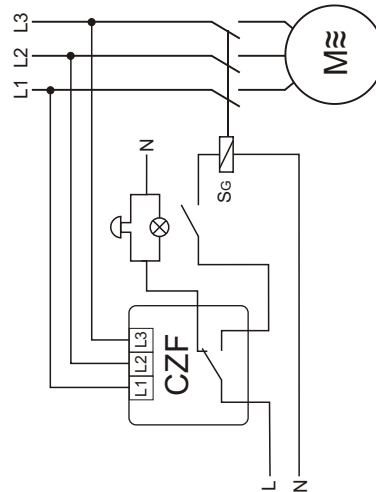
Supplied a receiver is signaled by shine of green LED (U). Suitable parameter of line and closed joint of switching relay of motor are signaled by shine of yellow LED (R). Phase collapse in at least one phase or voltage unbalance between phases above fixed actuation threshold - signaled by don't shine of yellow LED (R) and shine of green LED (U) at the same time-causes switching-OFF the motor. The motor switching-OFF occurs with delay 4 sec, which prevents any accidental motor disconnecting at temporary voltage drop. The re-connection will

ASSEMBLY

1. Check work of motor.
2. Take OFF the power.
3. Put on the relay on the rail in switchgear box.
4. Connect to installation with wiring diagram.

TECHNICAL DATA

supply	3×400V
current load	<10A
joint	1C/O
sygnalling of supply	3×LED
activation voltage asymmetry	20÷50V~
activation voltage	<320V~
hysteresis	5V~
switching OFF delay	4sec
power consumption	1,6W
working temperature	-25÷40°C
connection	screw terminals 2,5mm ²
dimensions	3 modules (52,5mm)
fixing	on rail TH-35



X-ON Electronics

Largest Supplier of Electrical and Electronic Components

Click to view similar products for [General Purpose Relays](#) category:

Click to view products by [F&F](#) manufacturer:

Other Similar products are found below :

[APF30318](#) [JVN1AF-4.5V-F](#) [PCN-105D3MHZ](#) [5JO-10000S-SIL](#) [5JO-1000CD-SIL](#) [5JO-400CD-SIL](#) [LY2S-AC220/240](#) [LYQ20DC12](#)
[6031007G](#) [6131406HQ](#) [6-1393099-3](#) [6-1393099-8](#) [6-1393122-4](#) [6-1393123-2](#) [6-1393767-1](#) [6-1393843-7](#) [6-1415012-1](#) [6-1419102-2](#) [6-](#)
[1423698-4](#) [6-1608051-6](#) [6-1608067-0](#) [6-1616170-6](#) [6-1616248-2](#) [6-1616282-3](#) [6-1616348-2](#) [6-1616350-1](#) [6-1616350-8](#) [6-1616358-7](#) [6-](#)
[1616359-9](#) [6-1616360-9](#) [6-1616931-6](#) [6-1617039-1](#) [6-1617052-1](#) [6-1617090-2](#) [6-1617090-5](#) [6-1617347-5](#) [6-1617353-3](#) [6-1617801-8](#) [6-](#)
[1617802-2](#) [6-1618107-9](#) [6-1618248-4](#) [M83536/1-027M](#) [CX-4014](#) [MAHC-5494](#) [MAVCD-5419-6](#) [703XCX-120A](#) [7-1393100-5](#) [7-1393111-7](#)
[7-1393144-5](#) [7-1393767-8](#)