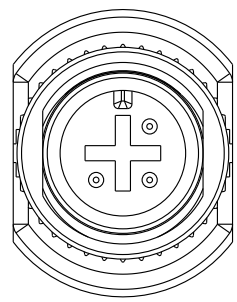
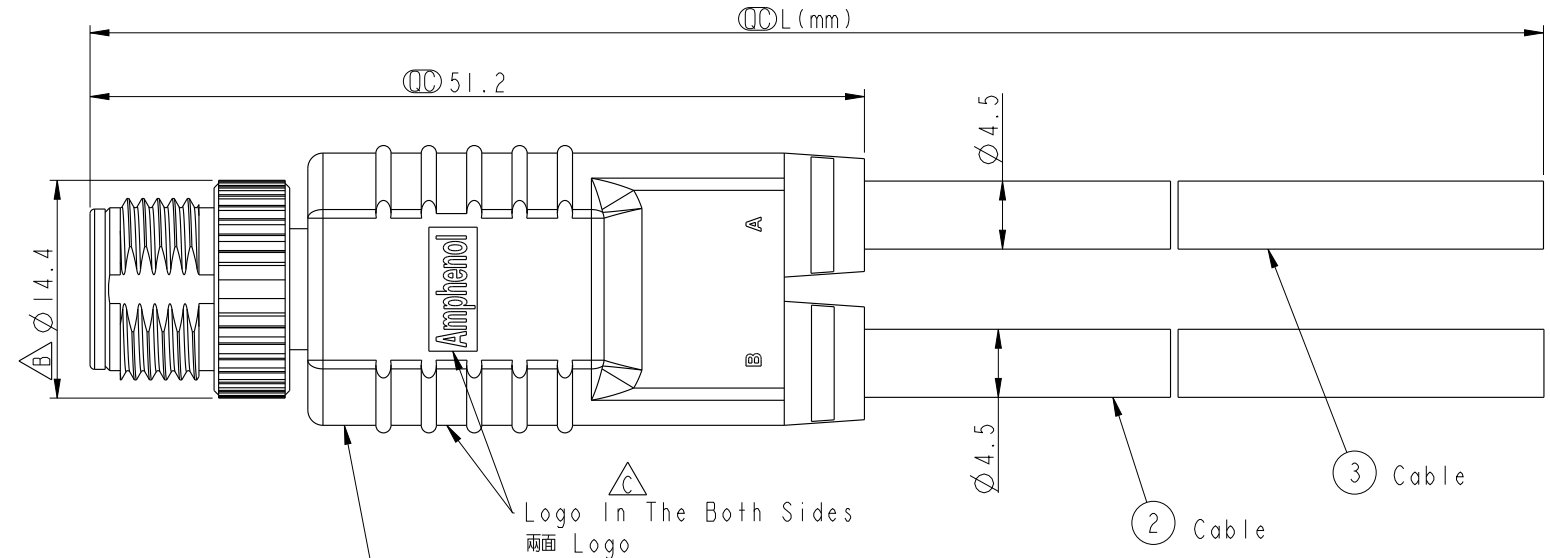


THIS DOCUMENT IS SUBJECT TO CHANGE WITHOUT NOTICE. IT IS CONFIDENTIAL AND A PROPERTY OF Amphenol LTW. DISCLOSURE TO THIRD PARTY HAS TO BE AUTHORIZED BY Amphenol LTW.

REV.	ECN NO.	DATE	SIGN	DESCRIPTION
B	LEN1130160-163	2011/02/25	Jiang Jun Hua	REF. TO ECR/N.NOTE.
C	LEN13B0198-201	2013/08/08	Cary	Change Logo From LTW To Amphenol



Conn.

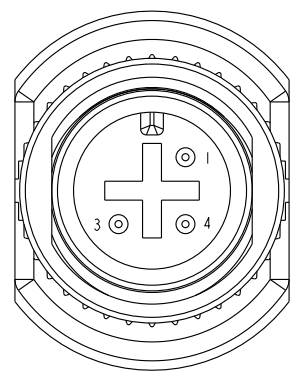


① SS-030000-M00-YS000
Color: Black
SS-030000-M00-YSBXX

XX:01~99Meter
01:01Meter
02:02Meters
:
99:99Meters
Cable Length(L):01~99Meters

- Note:
- * \varnothing Important Dimension.
 - * Waterproof Rate: IP68
IP68: 1M Depth Of Water In 24hours.
 - * Housing: PU, Black
 - * Male Pin: Copper Alloy, Gold Plated.
 - * Cable: 22AWG*3C+Talcum, PU Jacket, Black, OD=4.5mm.
 - * Cable Length Tolerance: 01M: ±40mm
02M~05M: ±60mm
06M~10M: ±100mm
11M~30M: ±200mm
31M~99M: ±500mm

ALTW
CONFIDENTIAL
2013-08-08
R&D DEPT.



Pin Assignments
Front View

4	Black 黑	Black 黑
3	Blue 藍	Blue 藍
1	Brown 棕	Brown 棕
	A	B
Conn.	Wire Color	
	Pin Out	

UNIT:mm

TOLERANCE ±0.5mm

TITLE M12 Cable Screw
3Pin M Conn M Pin

SCALE 1:1 SIZE A4 SHEET 1 OF 1

REV. C WC-REV. A.3 \varnothing : Inspection item

Amphenol LTW

安費諾亮泰企業股份有限公司

ITEM NO	DRAWN BY	DATE
	Cary_liu	2013-08-08
DWG NO	CHECKED BY	DATE
SS-030000-M00-YSBXX	Mafei	2013-08-08
CUSTOMER	APPROVED BY	DATE
ALTW	Victor	2013-08-08

X-ON Electronics

Largest Supplier of Electrical and Electronic Components

Click to view similar products for [Circular MIL Spec Connector](#) category:

Click to view products by [Amphenol](#) manufacturer:

Other Similar products are found below :

[89075GULPR](#) [0025-262-542](#) [0025-264-3014](#) [58-570121-04S](#) [0134-213-1208](#) [0134-213-2209](#) [0025-258-000](#) [60-042022-07P](#) [60-042022-19P](#)
[60-042022-23P](#) [60-042217-10P](#) [0114-201-1278](#) [012-0467-000](#) [602GB06EG24-61SN](#) [0134-201-1207](#) [0134-213-1006](#) [6104-207-2302](#) [6104-](#)
[208-1902](#) [61-168211-04P](#) [61-168617-10P](#) [6131-202-19149P](#) [6131-204-21149P](#) [6131-208-13149P](#) [6131-209-17149P](#) [6131-210-11149P](#) [6131-](#)
[211-19149P](#) [6131-216-19149P](#) [6131-259-21149P](#) [6131-259-23149P](#) [6131-265-17149P](#) [6131-265-19149P](#) [CS3100A18-1P-472](#) [CS3100A-36-](#)
[77P](#) [CS3101A-16-55P](#) [CS3102A-10SL-55P](#) [CS3102A-14S-58P](#) [CS3102A-32-17P](#) [CS3102A32-25S](#) [CS3102C18-4P-472](#)
[CS3106A10SL3S004](#) [CS3106A-18-73S](#) [CS3108A-14S-52S](#) [CS3108A-28-51S](#) [6162-233-1277](#) [6162-324-1231](#) [M243082296Z](#)
[M2884010AC1S1](#) [CT0-24-10SC](#) [CT0M20-7PCAU](#) [M28840/17AC1G3](#)