


SNAP ACTION SWITCH

Features

- Reliability and small size and light weight.
- It's has long life and more operating force can be Applied such as lightly force.
- Good feeling and more levers are applied.



E88392 

Applications

- Telephone , Air condition , Computer , Humidifier , Alarm , Time recorder , Mixer & chopper , neon phone , Fax machine , Joystick , Water pump , Gas detector , Pencil sharpener , Money sorter , Food processor ,juice maker , Light , etc.

Specifications

Item	Standard
Rating	5A 125V AC or 3A 250V AC
Insulation Resistance	100MΩ min. (DC 500V)
Dielectric Strength	AC 500V (50/60Hz for 1 minute)
Contact Resistance	30mΩ max.
Electrically Life	100,000 cycle
Mechanically Life	1,000,000 cycles

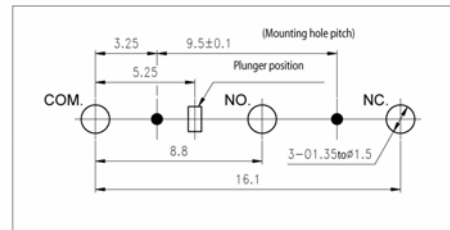
Product Selection

SS05
1 2

1. ACTUATOR TYPES

- 00: Pin plunger
- 01: Short hinge lever
- 02: Hinge lever
- 03: Long hinge lever
- 04: Simulated roller lever
- 05: Short hinge roller lever

Mounting Hole For P.C.B. Terminal



2. TERMINAL TYPE

Code	Solder terminal	Code	Solder terminal	Code	Quick connect terminal (#110)	Code	P.C.B. terminal	Code	P.C.B. terminal
-A		-C2		-P		-CL		-CR	

HIGHLY

B16

Design, specifications are subject to change without notice.

SNAP ACTION SWITCH

Operating Characteristics

Unit :mm

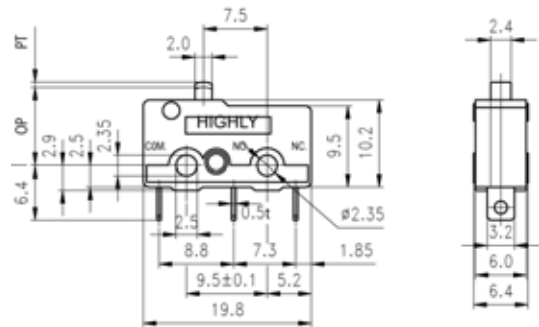
Item NO.

Dimensions

SS0500



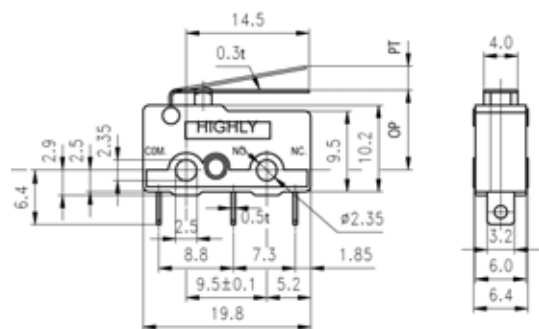
OF	max.	150g
RF	min.	55g
PT	max.	0.6 mm
OT	min.	0.6 mm
MD	max.	0.2mm
FP	max.	9.2mm
OP		8.4±0.5 mm



SS0501



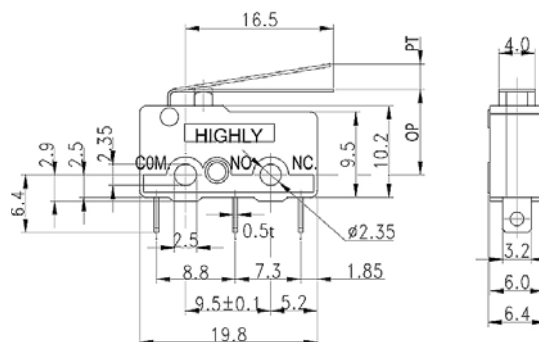
OF	max.	45g
RF	min.	12g
PT	max.	2.8 mm
OT	min.	1.4 mm
MD	max.	0.8 mm
FP	max.	11.9 mm
OP		8.8±0.8 mm



SS0502



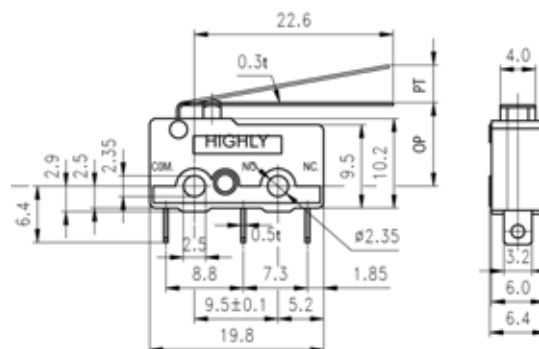
OF	max.	30g
RF	min.	12g
PT	max.	3.1 mm
OT	min.	1.4 mm
MD	max.	0.8 mm
FP	max.	12.2 mm
OP		8.8±0.8 mm



SS0503



OF	max.	45g
RF	min.	12g
PT	max.	4.2 mm
OT	min.	1.6 mm
MD	max.	1.0mm
FP	max.	13.3 mm
OP		8.8±1.2 mm



HIGHLY

B16

Design, specifications are subject to change without notice.

SNAP ACTION SWITCH

Operating Characteristics

Unit :mm

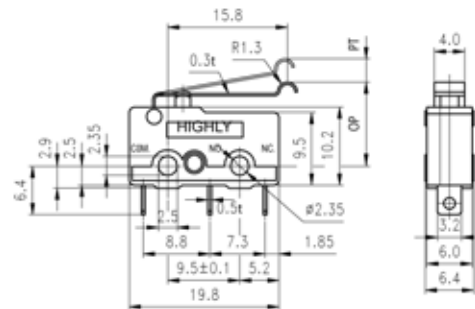
Item NO.

Dimensions

SS0504



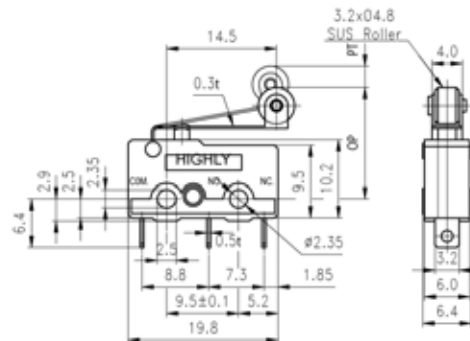
OF	max.	45g
RF	min.	12g
PT	max.	3.0 mm
OT	min.	1.4 mm
MD	max.	0.8mm
FP	max.	14.0 mm
OP		10.7±0.8 mm



SS0505



OF	max.	45g
RF	min.	12g
PT	max.	2.8 mm
OT	min.	1.4 mm
MD	max.	0.8mm
FP	max.	17.6mm
OP		14.5±0.5mm



X-ON Electronics

Largest Supplier of Electrical and Electronic Components

Click to view similar products for [Basic / Snap Action Switches](#) category:

Click to view products by [Highly manufacturer](#):

Other Similar products are found below :

[83228001](#) [01.098.1358.1](#) [602EN1-6B](#) [602EN532](#) [602EN535-RB](#) [602HE5-RB1](#) [604HE162](#) [604HE223-6B](#) [624HE17-RB](#) [6HM89](#) [6PA78-JM](#)
[6SE1](#) [6SX1-H58](#) [70500840](#) [MBD5B1](#) [MBH2731](#) [73-316-0012](#) [79211759](#) [79211923](#) [79218589](#) [7AS12](#) [ML-1155](#) [ML-1376](#) [831010C3.0](#)
[831060C3.TL](#) [831090C2.EL](#) [83131904](#) [84212012](#) [8AS239](#) [8HM73-3](#) [903VB1-PG](#) [914CE1-6G](#) [PL-100](#) [11SM1077-H4](#) [11SM1077-H58](#)
[11SM1-TN107](#) [11SM405](#) [11SM703-T](#) [11SM8423-H2](#) [11SX37-T](#) [11SX48-H58](#) [11SX55-H58](#) [11SM2442-T](#) [11SM76-T](#) [11SM77-H58](#)
[11SM77-T](#) [11SM863-T](#) [11SM866](#) [11SX47-H58](#) [A7CN-1M-1-LEFT](#)