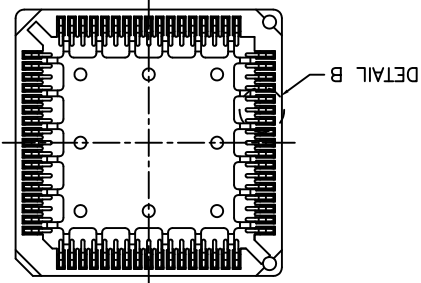
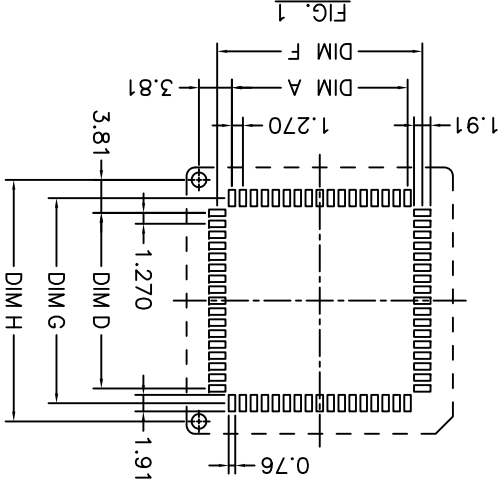
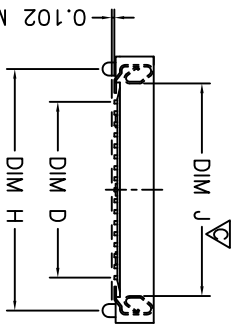
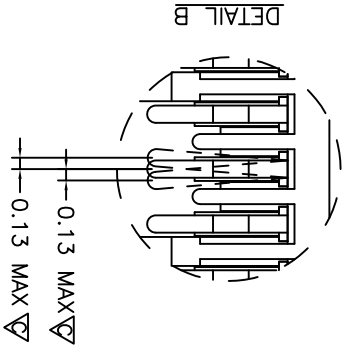
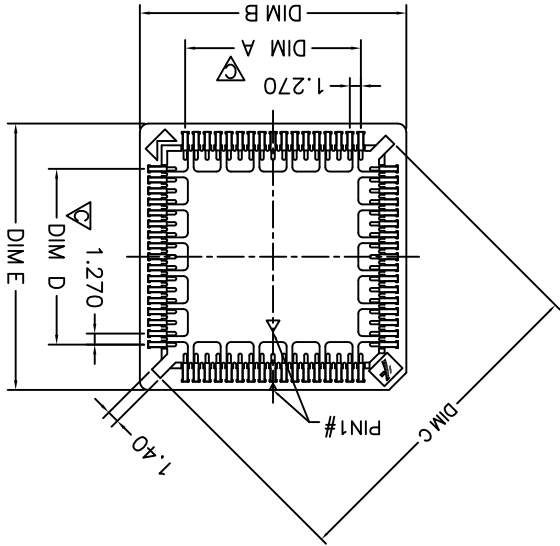
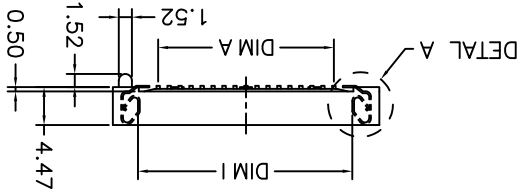
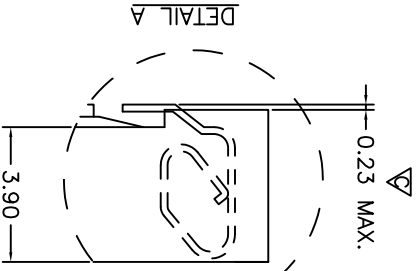




NOTE: DIMENSIONAL MARK ∇ TO BE CHECKED BY OQC.



rev	ecn no	dr	date
Y	T10136	JH	3/18/01
AA	T03-0452	JH	10/13/03
AB	T05-0017	JH	1/24/05
AC	T05-0114	JH	5/9/05
AD	T05-0212	JH	9/21/05
AE	T06-0070	JH	5/8/06
AF	T11-0002	JH	1/11/11

www.fciconnect.com		TOLERANCES UNLESS OTHERWISE SPECIFIED		projection		MM	
surface	∇	ANGULAR	0X	size	A4	Scale	N/A
LINEAR	\pm 0.05	Linear	\pm 0.15	ECN	T11-0002	Product family	Product family
0°	\pm 5°	Chr	Gary Hsieh	1/11/11	Appr	Joseph Hsia	1/11/11
Dr	Jason Hsu	1/11/11	Eng	Jason Hsu	1/11/11	Chr	Gary Hsieh
1/11/11	1/11/11	1/11/11	1/11/11	1/11/11	1/11/11	Appr	Joseph Hsia
catalog no	PLCC SMT Socket		title	PLCC SMT Socket		dmg no	69802
CUSTOMER	sheet 1 of 5		Rev.	AF		PDM: Rev:AF STATUS:Released Printed: Jan 29, 2011	

D

C

B

A

4

3

2

1

4

3

2

1



TABLE II

PART NO.	WITH POLARIZING PEGS	PACKAGING BY PVC TUBE	PACKAGING BY TAPE & REEL	MCK PART NO.
69802-0XX	✓	✓	✓	PLCC-XXP-T-SMT-P
69802-1XX		✓		PLCC-XXP-T-SMT
69802-4XX			✓	PLCC-XXP-T-SMT-TR
69802-0XXPT	✓	✓		PLCC-XXP-T-SMT-P-PT
69802-1XXPT		✓		PLCC-XXP-T-SMT-PT
69802-4XXPT			✓	PLCC-XXP-T-SMT-TR-PT
69802-0XXLF	✓	✓		PLCC-XXP-T-SMT-P-LF
69802-1XXLF		✓		PLCC-XXP-T-SMT-LF
69802-4XXLF			✓	PLCC-XXP-T-SMT-TR-LF

TABLE I

NO. OF CONTACTS	DIM. A	DIM. B	DIM. C	DIM. D	DIM. E	DIM. F	DIM. G	DIM. H	DIM. I	DIM. J
20	5.08	15.24	16.70	5.08	15.24	8.48	8.48	12.70	9.40	
28	7.62	17.78	20.30	7.62	17.78	11.02	11.02	15.24	11.94	
32	7.62	17.78	22.50	10.16	20.32	13.56	17.78	11.94	11.94	14.48
44	12.70	22.86	27.50	12.70	22.86	16.10	16.10	20.32		17.02
52	15.24	25.40	31.10	15.24	25.40	18.64	18.64	22.86		19.56
68	20.32	30.82	38.30	20.32	30.82	23.72	23.72	27.94		24.64
84	25.40	35.90	45.50	25.40	35.90	28.80	28.80	33.02		29.72

NOTE:

ORDERING DATA: 69802 - X XX XX

LF: LEAD FREE
 PT: PURE TIN PLATED.
 BLANK: TIN/LEAD PLATED.
 NO OF CONTACTS
 SEE TABLE II

www.fciconnect.com		TOLERANCES UNLESS OTHERWISE SPECIFIED		tolerance std		projection		MM	
Dr	Jason Hsu	1/11/11	ANGULAR	0X	±.025	size	A4	Scale	N/A
Eng	Jason Hsu	1/11/11	LINEAR	0XX	±.015				
Chr	Gary Hsieh	1/11/11		0XXX	±.010	ECN	TII-0002	Spec ref	
Appr	Joseph Hsia	1/11/11	Product family		Product family		Product family		
title	PLCC SMT Socket		catag no		-		CUSTOMER		sheet 2 of 5
Rev.	AF		dng no				Rev.		AF

D

C

B

A

D

C

B

A

1 2 3 4

4

4

3

2

1



Copyright FCI.

A

B

C

D

NOTES:

1. MATERIAL:
1-1 HOUSING : PPS GB8411JL94V-0 COLOR IN BROWN.
PLATING : 150u" TIN/LEAD OR PURE TIN MIN. OVER 40u" NICKEL MIN.
CONTACT : PHOSPHOR BRONZE C5212RH.
2. THE "FCI" LOGO IS LOCATED AS SHOWN.
3. RECOMMEND PCB LAYOUT IS SHOWN IN FIG.1.
4. COPLANARITY REQUIREMENT:
A. CONTACT MUST BE BELOW HOUSING BOTTOM SURFACE WITHIN 0.23MM.
B. CONTACT SEATING LINE MUST BE WITHIN 0.102MM.
5. THE POSITION OF PIN#1 IN THE CENTER PAD IS AS SHOWN.
6. THE PACKAGING INFORMATION SHOWS ON SHEET 4 & 5.
7. PRODUCT SPECIFICATION; GES-12-158.
8. MANUFACTURING PROCESS COMPATIBILITY: THE HOUSING WILL WITHSTAND EXPOSURE TO 245°C PEAK TEMPERATURE FOR 5 SECOND IN A IR REFLOW APPLICATION.

www.fciconnect.com		TOLERANCES UNLESS OTHERWISE SPECIFIED		projection		MM		
surface	-	ANGULAR	±0.25	size	A4	Scale	N/A	
LINEAR	0X	±0.10	ECN	TII-0002		Product family		
±5°	1/11/11	Joseph Hsieh	1/11/11	Product family		Spec ref		
Dr	1/11/11	Jason Hsu	1/11/11	Product family		Appr		
Joseph Hsia	1/11/11	Joseph Hsia	1/11/11	Product family		Title		
PLCC SMT Socket	69802	CUSTOMER		sheet 3 of 5		Rev.		
AF	-		-		-		-	

REV. F - 004-04-01

1

2

3

4

1

2

3

4

A

B

C

D

PDM: Rev:AF

STATUS: Released

Printed: Jan 29, 2011

D

Copyright FCI

C



B

A

REV. F - 2006-04-11

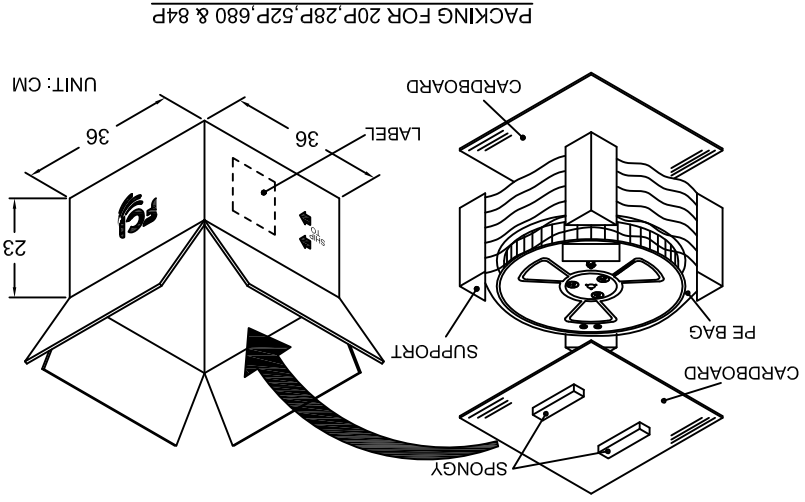
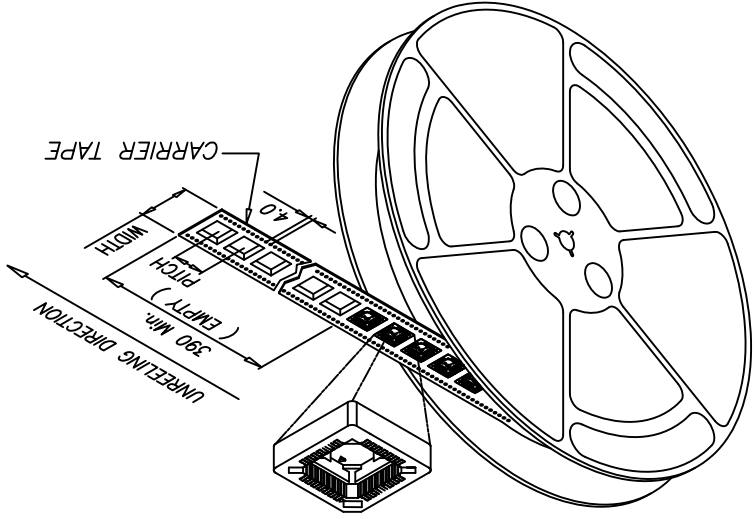
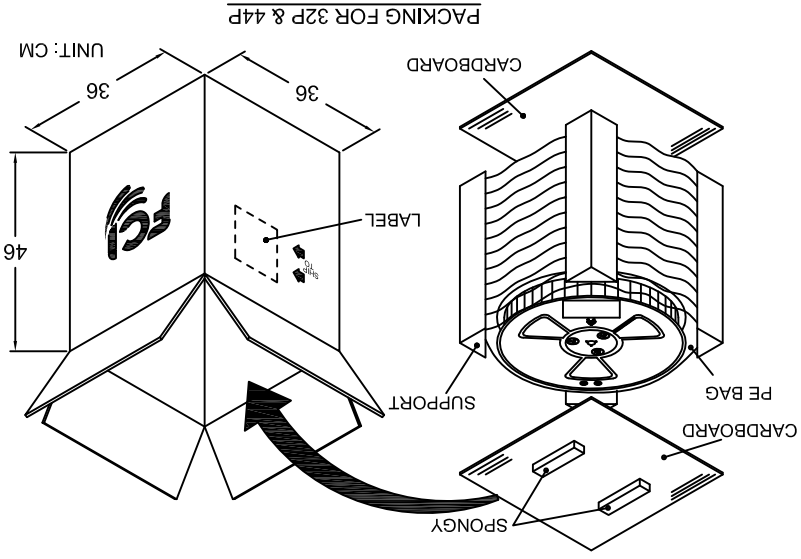


TABLE III

NO. OF PIN.	WIDTH	PITCH	PCS/REEL	REEL/CARTON	TOTAL (PCS)
20P	24.0	24.00	470	6	2820
28P	32.0	24.00	390	5	1950
32P	32.0	24.00	390	10	3900
44P	44.0	32.00	250	8	2000
52P	44.0	32.00	250	4	1000
68P	44.0	36.00	220	4	880
84P	56.0	40.00	200	3	600

* REEL DIAMETER: Ø 13 in"

www.fciconnect.com		TOLERANCES UNLESS OTHERWISE SPECIFIED		projection	
surface	-	tolerance std	MM		
ANGULAR	0X	±0.25			
LINEAR	0XX	±0.15			
° ±5°	0XXX	±0.10			
Dr	Jason Hsu	1/11/11	size	A4	Scale
Eng	Jason Hsu	1/11/11	N/A		
Chr	Gary Hsieh	1/11/11	ECN		
Appr	Joseph Hsia	1/11/11	Product family		
title	PLCC SMT Socket		Spec ref		
Rev.	AF	69802	CUSTOMER		
catalog no	-		sheet 4 of 5		

2

1

3

4

4

3

2

1

D

C

B

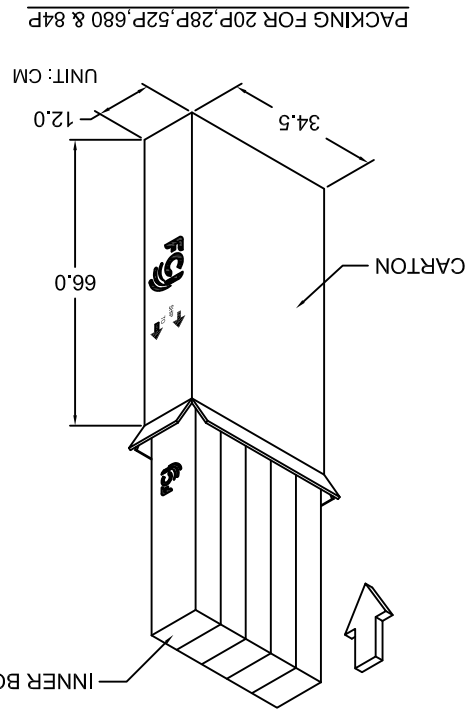
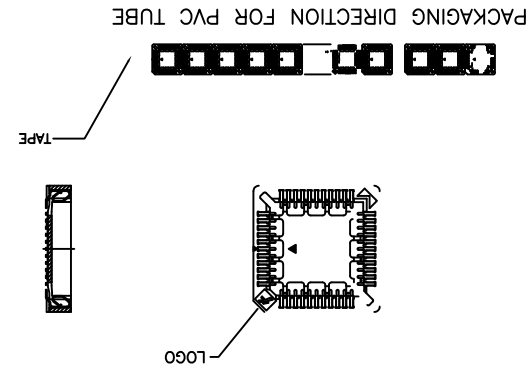
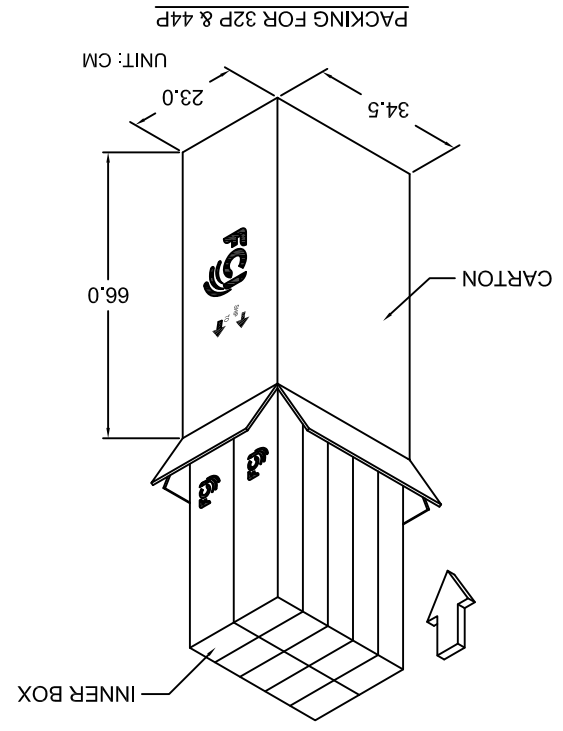
A



Copyright FCI.

TABLE IV

A / P PART NO.	20P	28P	32P	44P	52P	68P	84P
69802-X20X	69802-X28X	69802-X32X	69802-X44X	69802-X52X	69802-X68X	69802-X84X	
DESCRIPTION	20P	28P	32P	44P	52P	68P	84P
PCS / TUBE	37	32	28	25	23	18	16
PCS / INNER BOX	1110	832	728	500	460	270	224
INNER BOX / CARTON (WITH SOCKET)	3	4	10	4	5	5	5
INNER BOX / CARTON (W / O SOCKET)	2	1	0	1	0	0	0
TOTAL (PCS)	3330	3328	7280	5000	1840	1350	1120
N.W.	3.2 KG	4.2 KG	10.0 KG	8.5 KG	3.2 KG	3.75 KG	3.5 KG
G.W.	6.5 KG	8.0 KG	18.0 KG	17.0 KG	7.0 KG	8.3 KG	8.0 KG



www.fciconnect.com		TOLERANCES UNLESS OTHERWISE SPECIFIED		projection		MM	
surface	-	tolerance std	tolerance	projection	MM		
Dr	Jason Hsu	1/11/11	ANGULAR	0X	± 0.25	size	A4
Eng	Jason Hsu	1/11/11	LINEAR	0XX	± 0.15	Scale	N/A
Chr	Gary Hsieh	1/11/11	0° ± 5°	0XXX	± 0.10	ECN	TII-0002
Appr	Joseph Hsia	1/11/11	Product family	Spec ref			
title	PLCC SMT Socket		Product family	Spec ref			
Rev.	AF	69802	Rev. no	CUSTOMER			
catalog no	-		sheet 5 of 5				

REV. F - 2004-01

4

3

2

1

4

3

2

1

STATUS: Released

PDM: Rev: AF

Printed: Jan 29, 2011

X-ON Electronics

Largest Supplier of Electrical and Electronic Components

Click to view similar products for [Sockets & Adapters](#) category:

Click to view products by [FCT Electronics](#) manufacturer:

Other Similar products are found below :

[6508-0-00-01-00-00-33-0](#) [AC164341](#) [AC164348](#) [1262](#) [C8051F350-TB](#) [KITPF0100SKTEVBE](#) [LFVDBJR](#) [SK-AX2-CQ256-KITTOP](#)
[AC164334](#) [AC164353](#) [AC164383](#) [SOCKET-ADM106XTQZ](#) [SPC564A80CAL176](#) [ST5M1267-001](#) [FP3-10PIN-ADAPTER-KIT](#) [CY3675-](#)
[LCC4A](#) [TDGL015](#) [ATF15XXDK3-SAA100](#) [LFBGADATC](#) [SM64TQ-ACTEL-1](#) [SM68P-ACTEL](#) [8.06.03](#) [AC164358](#) [ATSTK600-RC99](#)
[76002056](#) [DS91230+](#) [OM13019,598](#) [09185058](#) [AC164369](#) [AC164409](#) [AC164402](#) [SMPA-ISP-ACTEL-3-KIT](#) [ICESABCM81-01](#) [LFVDBGF](#)
[AC164408](#) [LFBGADAU1A](#) [KIT 70601-3](#) [S5U13U00P00C100](#) [AC164352](#) [PN-Q208/5256V](#) [PN-T100/LC4256](#) [LFBGAINTM55U1QA](#)
[AC164370](#) [AC164355](#) [AC164367](#) [LFDAS12XEFT](#) [CY3675-TSSOP20B](#) [SPC563M64AVB144](#) [ATF15XXDK3-SAA44](#) [AC164410](#)