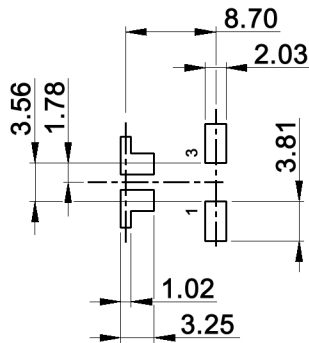


**P.C. MOUNTING**



**SWITCH FUNCTION**

Model No.	POS. 1	POS. 2
	SSP 1 Cy R	OFF
Term. Comm.	OPEN	1-3

**SWITCH RATING:**

code for y	contacts and terminals	rating AC with real load	rating DC with real load
empty	silver-plated over nickel	1A/250V, 3A/120V	3A/28V
B	gold-plated over nickel	0.4VA/20V	0.4VA/20V
S	silver-plated over nickel, terminals tin-plated	1A/250V, 3A/120V	3A/28V
T	gold-plated over silver over nickel, terminals tin-plated	1A/250V, 3A/120V	3A/28V
G	gold-plated over silver over nickel	1A/250V, 3A/120V	3A/28V

obsolete 2013 June



Tolerances: 0.00: ±0.25mm 0.0: ±0.40mm	Date	Name
	10/07	dr
Revised	07/13	dr
Modifications	Date	Name

**SSP 1 Cy R**

**knitter-switch**

**30 12 65**

Page

1/3

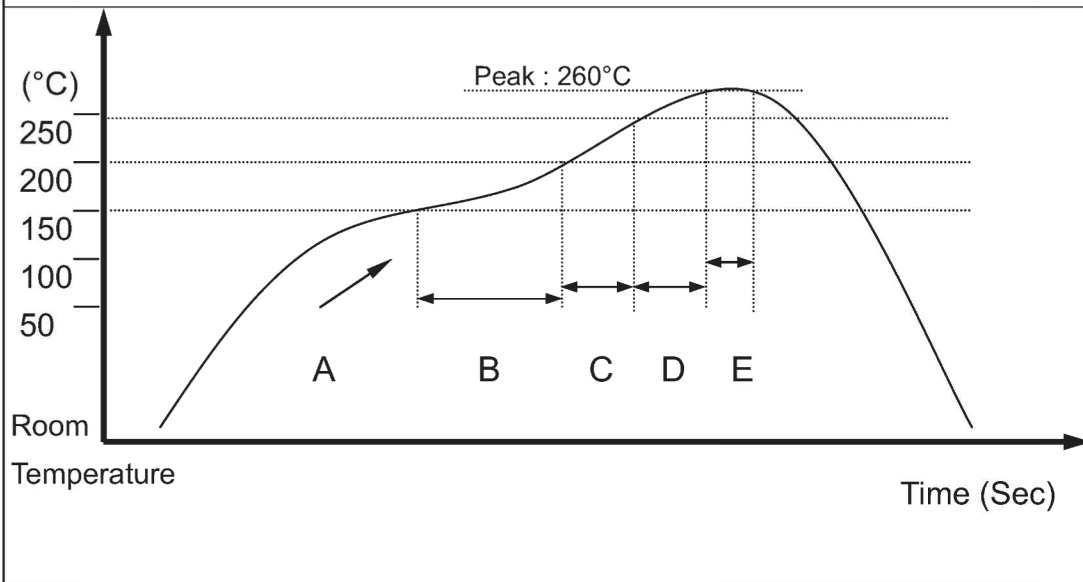
**Specifications:**

Contact resistance: 20mOhm max. at 2-4V DC  
 Insulation resistance: 1 000MOhm min.  
 Dielectric strength: 1 000V RMS  
 Operating temperature: -30°C to +85°C  
 Mechanical life: 50 000 make-and-break cycles  
 IP rating: IP 67  
 Material: Case / bushing: glass filled nylon 66, flame retardand,  
 heat stabilized (UL94V-0)  
 Plunger: thenoplastic polyester (UL94V-0)

**Soldering conditions:**

**Temperature Profile**

Zone	Room Temperature	Time (Sec)
Pre-heat (A)	150°C	Min 120s
Soak (B)	180°C ~ 200°C	Min 150s
Peak (C)	200°C ~ 235°C	Min 30s
Peak (D)	235°C ~ 260°C	Min 40s
Peak (E)	260°C	Max 5s



Tolerances: 0.00: ±0.25mm 0.0: ±0.40mm	Date	Name
	10/07	dr
Modifications	Date	Name

**SSP 1 Cy R**

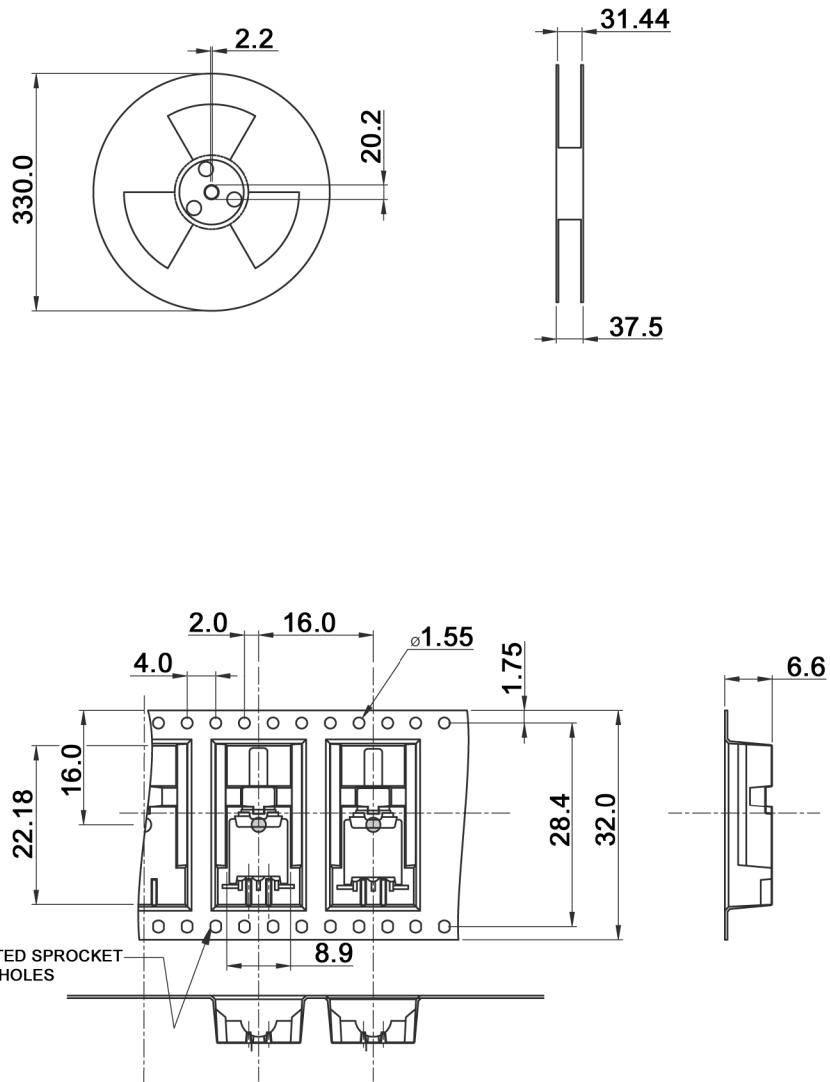
**knitter-switch**

**30 12 65**

Page

2/3

Packaging:



Packaging unit: 500 pcs. / reel



Tolerances: 0.00: $\pm 0.25\text{mm}$ 0.0: $\pm 0.40\text{mm}$		Date	Name	<h1>SSP 1 Cy R</h1>
		10/07	dr	
		<b>knitter-switch</b>		<h2>30 12 65</h2>
Modifications	Date	Name		Page 3/3

## X-ON Electronics

Largest Supplier of Electrical and Electronic Components

*Click to view similar products for [Pushbutton Switches](#) category:*

*Click to view products by [Knitter-Switch](#) manufacturer:*

Other Similar products are found below :

[LW1L-M1C10V-A](#) [LW2L-A1C20M-GD](#) [LW2L-M1C20M-A](#) [60324L](#) [M7E-HRN2](#) [67021K512](#) [67081K512X](#) [701PB580](#) [719-5504-000](#)  
[MDPSSGLFS](#) [810KSV30B](#) [MML21KA3ABK](#) [MML23KA3AC05K-001](#) [MML23KW3AA01W](#) [8418K2](#) [8646AB6X718UL](#) [8646ABUL](#)  
[FSDWH](#) [9001KXRK](#) [9001T8BK](#) [9533CD4+U574+U4922](#) [1203MRA](#) [A22EM01S](#) [A595](#) [1202A6](#) [12037A2ULCSA](#) [1203A2UL](#) [ABD122N-](#)  
[B](#) [1211390004](#) [ABN111-Y](#) [ABN400-R](#) [1211500044](#) [1211580012](#) [1212MRA](#) [1232A6NF](#) [RA3CSH6A](#) [1241.1183.7047](#) [1241.2511](#)  
[1241.3428](#) [1223A2ULCSA](#) [1223MRA](#) [1232AX2119](#) [1241.1183.8000](#) [1241.1183.8029](#) [1241.2506](#) [1241.2606](#) [12MA6](#) [1301940184](#)  
[RELBARF6X10\(PLASTIC\)](#) [13435AG](#)