

# Customer Information Sheet

DRAWING No.: M90-3102R10SL-3S SHEET 2 OF 2 IF IN DOUBT - ASK © THIRD ANGLE PROJECTION NOT TO SCALE ALL DIMENSIONS IN mm



HARWIN USA  
TEL: 603 893 5376  
FAX: 603 893 5396  
mis@harwin.com

HARWIN Europe (UK)  
TEL: 023 9231 4545  
FAX: 023 9231 4590  
mis@harwin.co.uk

HARWIN Asia  
TEL: +65 6 779 4909  
FAX: +65 6 779 3868  
mis@harwin.com.sg

THIS INFORMATION AND ANY  
MATTER SET OUT HEREON ARE  
CONFIDENTIAL AND COPYRIGHT  
PROPERTY OF THE HARWIN  
GROUP AND MUST NOT BE  
DISCLOSED, LOANED, COPIED  
OR USED FOR MANUFACTURING,  
TENDERING OR FOR ANY  
OTHER PURPOSE WITHOUT  
THEIR WRITTEN PERMISSION

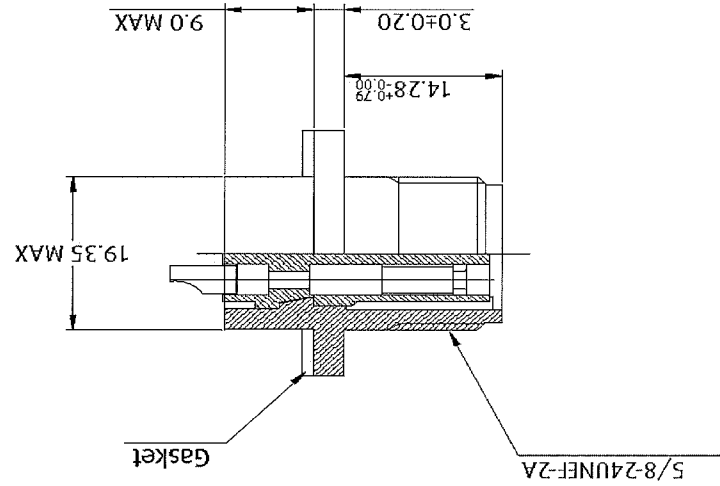
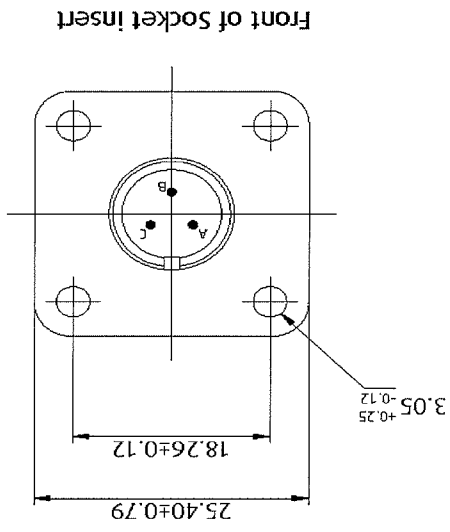
TOLEANCES  
X = ±1mm  
X.X = ±0.25mm  
X.XX = ±0.10mm  
X.XXX = ±0.01mm  
ANGLES = ±5°  
UNLESS STATED

MATERIAL: SEE ABOVE  
FINISH: SEE ABOVE  
S/AREA: SEE ABOVE

TITLE: PANEL MOUNT - 3 SOCKET CONTACTS  
DRAWING NUMBER: M90-3102R10SL-3S

2 OF 2 SHT

- NOTES:
1. PRODUCT IS ROHS COMPLIANT
  2. PRODUCT IS PACKED IN BAGS.
  3. RECOMMENDED WIRE SIZE 16-22 AWG.



SPECIFICATIONS:

MATERIAL: SHELL = ALUMINIUM ALLOY  
INSULATOR = POLYCHLOROPRENE  
GROMMET = POLYCHLOROPRENE  
CONTACT = COPPER ALLOY

FINISH: SHELL = ZINC WITH BLACK CHROMATE COATING  
CONTACT = SILVER

ELECTRICAL: CURRENT RATING = 13 AMPS  
VOLTAGE RATING = 500V AC, 700V DC  
INSULATION RESISTANCE = 5,000 MΩ MIN

ENVIRONMENTAL: TEMPERATURE RANGE = -55°C TO +125°C  
VIBRATION = 10 - 500Hz (10G) PER MIL-STD-1344, Method 2005  
SALT SPRAY = 48 HRS, 5% SALT SOLUTION, PER MIL-STD-1344  
Method 1001

MECHANICAL: HUMIDITY = 95±3%, 71±2°C, 14 DAYS  
COUPLING : THREADED  
POLARISATION : SINGLE KEY/ KEYWAY  
CONTACT TYPE : SOLDER  
CONTACT ARRANGEMENT : 3 CONTACTS  
DURABILITY : 500 OPERATIONS

NAME	ISS.	DATE	C/NOTE
RA	3	15.01.09	10228

APPROVED: *[Signature]*  
CHECKED: *[Signature]*  
DRAWN: M.G.PLESTED  
CUSTOMER REF:  
ASSEMBLY DRG:

# Customer Information Sheet

DRAWING No.: M90-3102R10SL-4S SHEET 2 OF 2 IF IN DOUBT - ASK © THIRD ANGLE PROJECTION NOT TO SCALE ALL DIMENSIONS IN mm



HARWIN USA  
 TEL: 603 893 5376  
 FAX: 603 893 5396  
 mis@harwin.com

HARWIN Europe (UK)  
 TEL: 023 9231 4545  
 FAX: 023 9231 4590  
 mis@harwin.co.uk

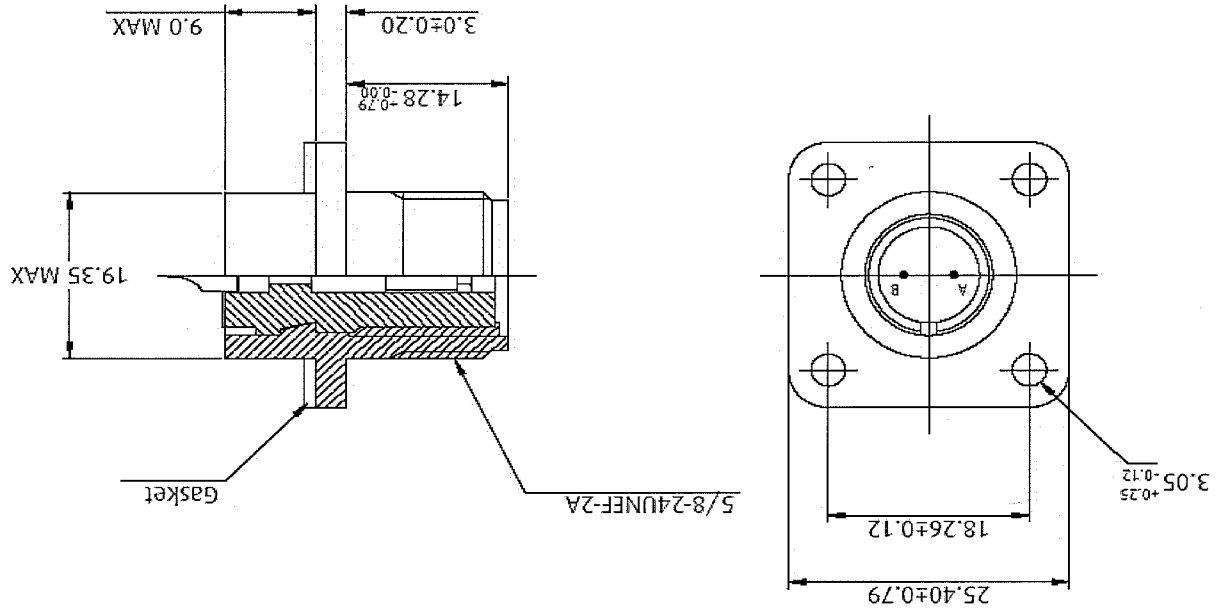
HARWIN Asia  
 TEL: +65 6 779 4909  
 FAX: +65 6 779 3868  
 mis@harwin.com.sg

THIS INFORMATION AND ANY  
 MATTER SET OUT HEREON ARE  
 CONFIDENTIAL AND COPYRIGHT  
 PROPERTY OF THE HARWIN  
 GROUP AND MUST NOT BE  
 DISCLOSED, LOANED, COPIED  
 OR USED FOR MANUFACTURING,  
 TENDERING OR FOR ANY  
 OTHER PURPOSE WITHOUT  
 THEIR WRITTEN PERMISSION

TOLERANCES  
 X = ±1mm  
 X.X = ±0.25mm  
 X.XX = ±0.10mm  
 X.XXX = ±0.01mm  
 ANGLES = ±5°  
 UNLESS STATED

MATERIAL: SEE ABOVE  
 FINISH: SEE ABOVE  
 S/AREA: SEE ABOVE  
 DRAWING NUMBER: M90-3102R10SL-4S  
 SHEET 2 OF 2

- NOTES:
1. PRODUCT IS RoHS COMPLIANT
  2. PRODUCT IS PACKED IN BAGS
  3. RECOMMENDED WIRE SIZE 16-22 AWG.



SPECIFICATIONS:

MATERIAL: SHELL = ALUMINIUM ALLOY  
 INSULATOR = POLYCHLOROPRENE  
 GROMMET = POLYCHLOROPRENE  
 CONTACT = COPPER ALLOY  
 FINISH: SHELL = ZINC WITH BLACK CHROMATE COATING  
 CONTACT = SILVER  
 ELECTRICAL: CURRENT RATING = 13 AMPS  
 VOLTAGE RATING = 500V AC, 700V DC  
 INSULATION RESISTANCE = 5,000 MΩ MIN  
 ENVIRONMENTAL: TEMPERATURE RANGE = -55°C TO +125°C  
 VIBRATION = 10 - 500HZ (10G) PER MIL-STD-1344, Method 2005  
 SALT SPRAY = 48 HRS, 5% SALT SOLUTION, PER MIL-STD-1344  
 Method 1001  
 HUMIDITY = 95±3%, 71±2°C, 14 DAYS  
 MECHANICAL: COUPLING : THREADED  
 POLARISATION : SINGLE KEY/ KEYWAY  
 CONTACT TYPE : SOLDER  
 CONTACT ARRANGEMENT : 2 CONTACTS  
 DURABILITY : 500 OPERATIONS

NAME	ISS.	DATE	C/NOTE
RA	3	15.01.09	10228

APPROVED: *[Signature]*  
 CHECKED: *[Signature]*  
 DRAWN: M.G.PLESTED  
 CUSTOMER REF:  
 ASSEMBLY DRG:

# Customer Information Sheet

DRAWING No.: M90-3102R12S-3S SHEET 1 OF 2 IF IN DOUBT - ASK (C) NOT TO SCALE THIRD ANGLE PROJECTION ALL DIMENSIONS IN mm

**SPECIFICATIONS:**

MATERIAL: ALUMINIUM ALLOY

SHELL: NITRILE BUTADIENE RUBBER

INSULATOR: NITRILE BUTADIENE RUBBER

GROMMET: NITRILE BUTADIENE RUBBER

CONTACT COPPER ALLOY

FINISH:

SHELL: ZINC PLATED WITH BLACK CHROMATE COATING

CONTACT: SILVER

ELECTRICAL:

CURRENT RATING: 13 AMPS

VOLTAGE RATING: 500V AC, 700V DC

INSULATION RESISTANCE: 5,000 M $\Omega$  MIN

MECHANICAL:

COUPLING: THREADED

POLARISATION: SINGLE KEY/KEYWAY

CONTACT TYPE: SOLDER

CONTACT ARRANGEMENT: 2 CONTACTS

DURABILITY: 500 CYCLES

ENVIRONMENTAL:

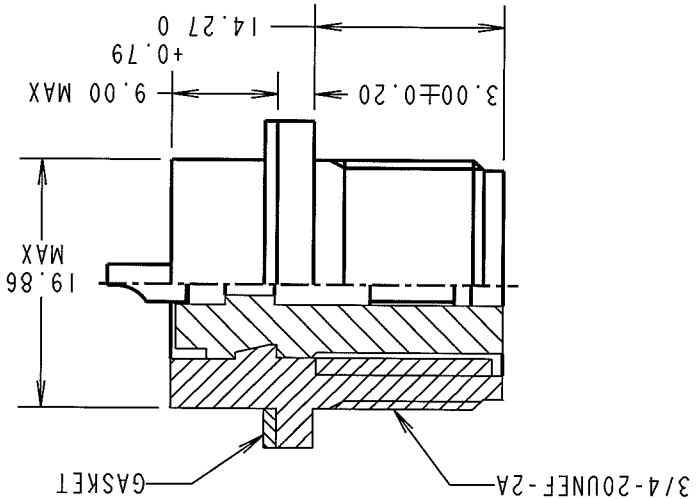
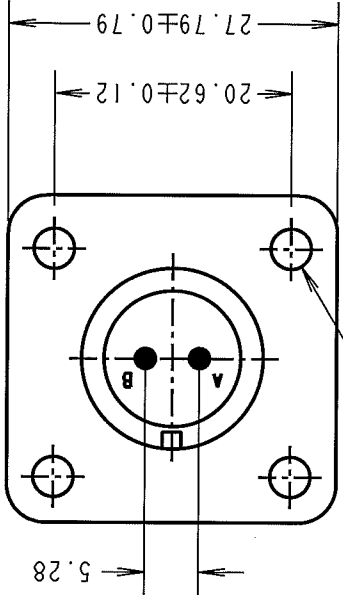
TEMPERATURE RANGE: -55°C TO -125°C

VIBRATION: 10-500Hz(10G), PER MIL-STD-1344, METHOD 2005

SALT SPRAY: 48HRS. SALT SOLUTION 5%, PER MIL-1344,

METHOD 1001

HUMIDITY: RELATIVE HUMIDITY 95 $\pm$ 3%, 71°C $\pm$ 2°C, 14 DAYS



- NOTES:
1. PRODUCT IS ROHS COMPLIANT
  2. PRODUCT IS PACKED IN BAGS.
  3. RECOMMENDED WIRE SIZE 16-22 AWG.

**HARWIN!**

HARWIN USA  
TEL: 603 893 5376  
FAX: 603 893 5396  
mis@harwin.com

HARWIN Europe (UK)  
TEL: 023 9231 4545  
FAX: 023 9231 4590  
mis@harwin.co.uk

HARWIN Asia  
TEL: +65 6 779 4909  
FAX: +65 6 779 3868  
mis@harwin.com.sg

THIS DRAWING AND ANY INFORMATION OR DESCRIPTIVE MATTER SET OUT HEREON ARE CONFIDENTIAL AND COPYRIGHT PROPERTY OF THE HARWIN GROUP AND MUST NOT BE DISCLOSED, LOANED, COPIED OR USED FOR MANUFACTURING, TENDERING OR FOR ANY OTHER PURPOSE WITHOUT THEIR WRITTEN PERMISSION.

TOLERANCES  
X. =  $\pm$ 1mm  
X.X =  $\pm$ 0.25mm  
X.XX =  $\pm$ 0.10mm  
X.XXX =  $\pm$ 0.01mm  
ANGLES =  $\pm$ 5°  
UNLESS STATED

MATERIAL: SEE ABOVE

FINISH:

S/AREA: mm<sup>2</sup>

CABLE CONNECTOR-  
2 PIN CONTACTS

DRAWING NUMBER:

M90-3102R12S-3S

SHT 2 OF 2

RA	2	16.01.09	10228
NAME	ISS.	DATE	C/NOTE
APPROVED: <i>[Signature]</i>			
CHECKED: <i>[Signature]</i>			
DRAWN: R. ADDE			
CUSTOMER REF.:			
ASSEMBLY DRG:			

# Customer Information Sheet

DRAWING No.: M90-3102R14S-2S SHEET 2 OF 2 IF IN DOUBT - ASK © THIRD ANGLE PROJECTION NOT TO SCALE ALL DIMENSIONS IN mm



HARWIN USA  
 TEL: 603 893 5376  
 FAX: 603 893 5396  
 mis@harwin.com

HARWIN Europe (UK)  
 TEL: 023 9231 4545  
 FAX: 023 9231 4590  
 mis@harwin.co.uk

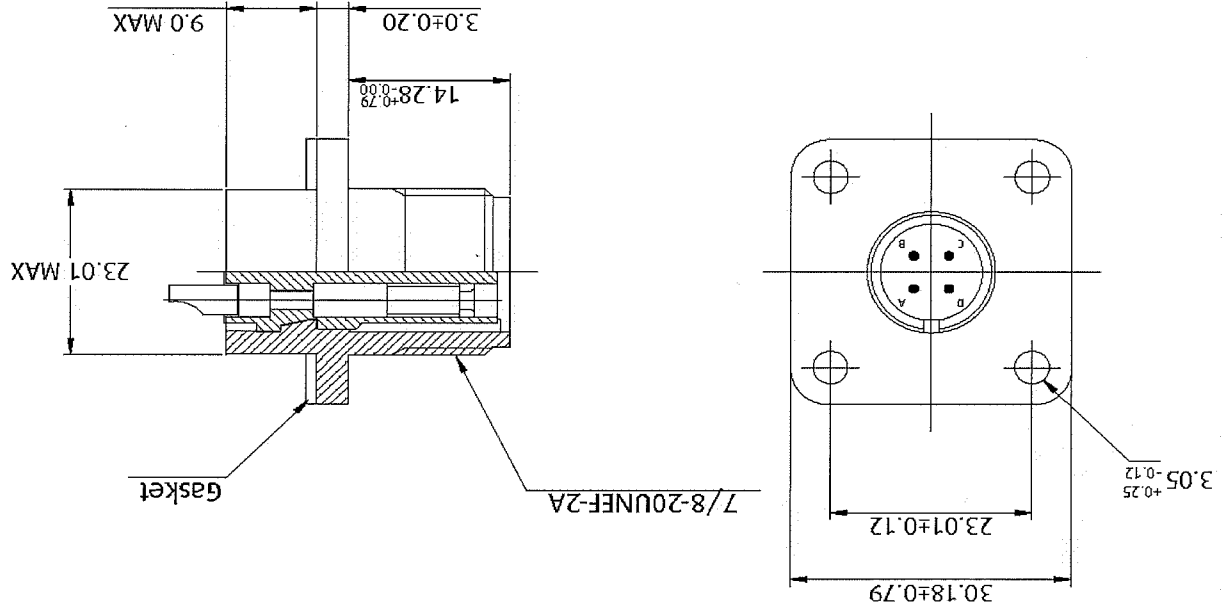
HARWIN Asia  
 TEL: +65 6 779 4909  
 FAX: +65 6 779 3868  
 mis@harwin.com.sg

THIS INFORMATION AND ANY INFORMATION OR DESCRIPTIVE MATTER SET OUT HEREON ARE CONFIDENTIAL AND COPYRIGHT PROPERTY OF THE HARWIN GROUP AND MUST NOT BE DISCLOSED, LOANED, COPIED OR USED FOR MANUFACTURING, TENDERING OR FOR ANY OTHER PURPOSE WITHOUT THEIR WRITTEN PERMISSION

TOLERANCES  
 X = ±1mm  
 X.X = ±0.25mm  
 X.XX = ±0.10mm  
 X.XXX = ±0.01mm  
 ANGLES = ±5°  
 UNLESS STATED

TITLE: PANEL MOUNT - 4 SOCKET CONTACTS		MATERIAL: SEE ABOVE	S/AREA: SEE ABOVE	DRAWING NUMBER: M90-3102R14S-2S	2 OF 2 SHT
--	--	---------------------	-------------------	---------------------------------	------------

- NOTES:
1. PRODUCT IS RoHS COMPLIANT
  2. PRODUCT IS PACKED IN BAGS
  3. RECOMMENDED WIRE SIZE 16-22 AWG.



SPECIFICATIONS:

MATERIAL: SHELL = ALUMINIUM ALLOY  
 INSULATOR = POLYCHLOROPRENE  
 GROMMET = POLYCHLOROPRENE  
 CONTACT = COPPER ALLOY

FINISH: SHELL = ZINC WITH BLACK CHROMATE COATING  
 CONTACT = SILVER

ELECTRICAL: CURRENT RATING = 13 AMPS  
 VOLTAGE RATING = 200V AC, 250V DC  
 INSULATION RESISTANCE = 5,000 MΩ MIN

ENVIRONMENTAL: TEMPERATURE RANGE = -55°C TO +125°C  
 VIBRATION = 10 - 500Hz (10G) PER MIL-STD-1344, Method 2005  
 SALT SPRAY = 48 HRS, 5% SALT SOLUTION, PER MIL-STD-1344  
 Method 1001  
 HUMIDITY = 95±3%, 71±2°C, 14 DAYS

MECHANICAL: COUPLING : THREADED  
 POLARISATION : SINGLE KEY/ KEYWAY  
 CONTACT TYPE : SOLDER

CONTACT ARRANGEMENT : 4 CONTACTS  
 DURABILITY : 500 OPERATIONS

NAME	ISS.	DATE	C/NOTE
RA	4	15.01.09	10228

APPROVED: *[Signature]*  
 CHECKED: *[Signature]*  
 DRAWN: M.G.PLESTED  
 CUSTOMER REF:  
 ASSEMBLY DRG:

# Customer Information Sheet

DRAWING No.: M90-3102R14S-6S SHEET 2 OF 2 IF IN DOUBT - ASK © THIRD ANGLE PROJECTION NOT TO SCALE ALL DIMENSIONS IN mm

# HARWIN

HARWIN USA  
TEL: 603 893 5376  
FAX: 603 893 5396  
mis@harwin.com

HARWIN Europe (UK)  
TEL: 023 9231 4545  
FAX: 023 9231 4590  
mis@harwin.co.uk

HARWIN Asia  
TEL: +65 6 779 4909  
FAX: +65 6 779 3868  
mis@harwin.com.sg

THIS INFORMATION AND ANY  
MATTER SET OUT HEREON ARE  
CONFIDENTIAL AND COPYRIGHT  
PROPERTY OF THE HARWIN  
GROUP AND MUST NOT BE  
DISCLOSED, LOANED, COPIED  
OR USED FOR MANUFACTURING,  
TENDERING OR FOR ANY  
OTHER PURPOSE WITHOUT  
THEIR WRITTEN PERMISSION.

TOLERANCES  
X = ±1mm  
X.X = ±0.25mm  
X.XX = ±0.10mm  
X.XXX = ±0.01mm  
ANGLES = ±5°  
UNLESS STATED

MATERIAL: SEE ABOVE

FINISH: SEE ABOVE

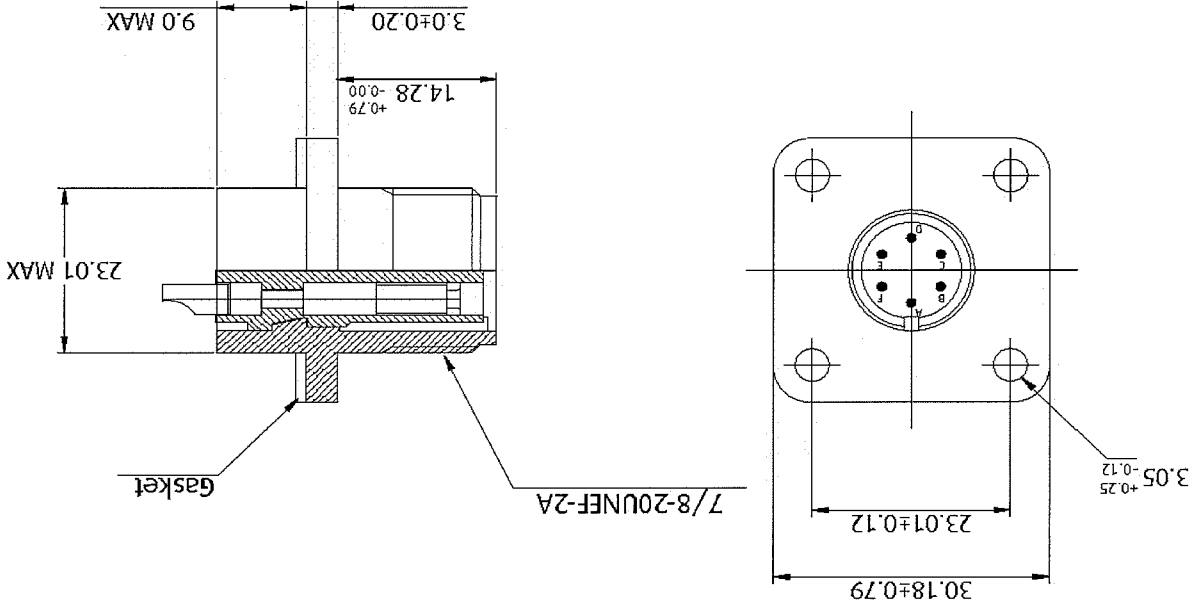
S/AREA:

TITLE: PANEL MOUNT - 6 SOCKET CONTACTS

DRAWING NUMBER: M90-3102R14S-6S

SHT 2 OF 2

- NOTES:
1. PRODUCT IS ROHS COMPLIANT
  2. PRODUCT IS PACKED IN BAGS
  3. RECOMMENDED WIRE SIZE 16-22 AWG.



SPECIFICATIONS:

MATERIAL: SHELL = ALUMINIUM ALLOY  
INSULATOR = POLYCHLOROPRENE  
GROMMET = POLYCHLOROPRENE  
CONTACT = COPPER ALLOY  
FINISH: SHELL = ZINC WITH BLACK CHROMATE COATING  
CONTACT = SILVER

ELECTRICAL: CURRENT RATING = 13 AMPS  
VOLTAGE RATING = 200V AC, 250V DC  
INSULATION RESISTANCE = 5,000 MΩ MIN

ENVIRONMENTAL: TEMPERATURE RANGE = -55°C TO +125°C  
VIBRATION = 10 - 500HZ (10G) PER MIL-STD-1344, Method 2005  
SALT SPRAY = 48 HRS, 5% SALT SOLUTION, PER MIL-STD-1344  
Method 1001

MECHANICAL: HUMIDITY = 95±3%, 71±2°C, 14 DAYS  
COUPLING : THREADED  
POLARISATION : SINGLE KEY/ KEYWAY  
CONTACT TYPE : SOLDER  
CONTACT ARRANGEMENT : 6 CONTACTS  
DURABILITY : 500 OPERATIONS

NAME	ISS.	DATE	C/NOTE
RA	4	15.01.09	10228

APPROVED: *[Signature]*

CHECKED: *[Signature]*

DRAWN: M.G.PLESTED

CUSTOMER REF:

ASSEMBLY DRG:

## X-ON Electronics

Largest Supplier of Electrical and Electronic Components

*Click to view similar products for [Circular MIL Spec Connector](#) category:*

*Click to view products by [Harwin](#) manufacturer:*

Other Similar products are found below :

[89075GULPR](#) [0025-262-542](#) [0025-264-3014](#) [58-570121-04S](#) [0134-213-1208](#) [0134-213-2209](#) [0025-258-000](#) [60-042022-07P](#) [60-042022-19P](#)  
[60-042022-23P](#) [60-042217-10P](#) [0114-201-1278](#) [012-0467-000](#) [602GB06EG24-61SN](#) [0134-201-1207](#) [0134-213-1006](#) [6104-207-2302](#) [6104-](#)  
[208-1902](#) [61-168211-04P](#) [61-168617-10P](#) [6131-202-19149P](#) [6131-204-21149P](#) [6131-208-13149P](#) [6131-209-17149P](#) [6131-210-11149P](#) [6131-](#)  
[211-19149P](#) [6131-216-19149P](#) [6131-259-21149P](#) [6131-259-23149P](#) [6131-265-17149P](#) [6131-265-19149P](#) [CS3100A18-1P-472](#) [CS3100A-36-](#)  
[77P](#) [CS3101A-16-55P](#) [CS3102A-10SL-55P](#) [CS3102A-14S-58P](#) [CS3102A-32-17P](#) [CS3102A32-25S](#) [CS3102C18-4P-472](#)  
[CS3106A10SL3S004](#) [CS3106A-18-73S](#) [CS3108A-14S-52S](#) [CS3108A-28-51S](#) [6162-233-1277](#) [6162-324-1231](#) [M243082296Z](#)  
[M2884010AC1S1](#) [CT0-24-10SC](#) [CT0M20-7PCAU](#) [M28840/17AC1G3](#)