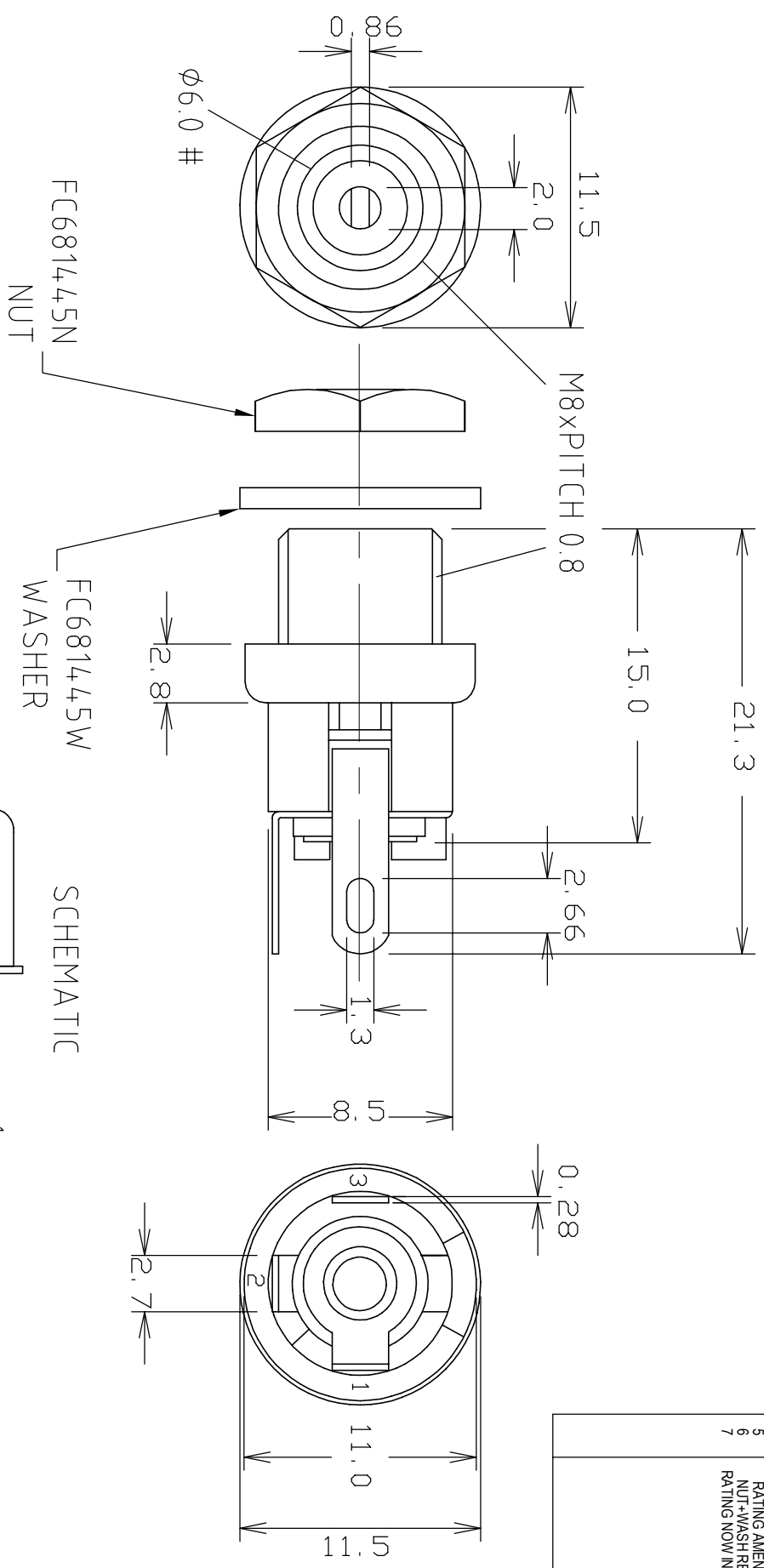
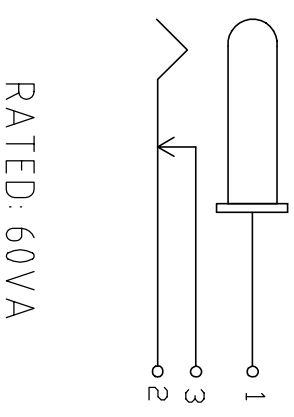


NO.	REVISIONS	DATE
1	1st DRAWN	28/04/9
2	SEE #	19/07/9
3	RATING AMEND	11/08/9
4	WASH DIM DEL	28/07/0
5	RATING AMEND	30/10/0
6	NUT+WASH REF	17/03/0
7	RATING NOW N VA	28/01/1



VARIANTS		
CENTRE PIN	MODEL No.	PART No.
$\phi 2.0$ mm	SCD-026	FC681445
$\phi 2.5$ mm	SCD-026A	FC681446



ROHS COMPLIANT

TOLERANCE
 NO DEC. PLACE ± 0.50
 1 DEC. PLACE ± 0.20
 2 DEC. PLACE ± 0.10
 HOLE $\phi \pm 0.10$
 ANGLES $\pm 1/2^\circ$
 UNLESS OTHERWISE STATED

Cliff Electronic Components Ltd.
 76 Holmehorne Avenue, Holmehorne Industrial Estate,
 Redhill, Surrey, RH1 2PF, England, UK
 Tel: 01737-771375 Fax: 01737-766012 Website: www.cliffuk.co.uk

DIMENSIONS IN MILLIMETERS UNLESS OTHERWISE STATED. WORK TO DIMENSIONS. REMOVE ALL BURRS. IF IN DOUBT ASK.

MATERIAL: BRASS / PBT

FINISH: Ni PLATED / Ag PLATED / AS MOULDED

DRAWN: C.A.M.J. APPROVED: R.W.T.

TITLE: DC POWER JACK SCD-026

3rd ANGLE PROJECTION:

DRWG. No. **FC681445**

FORM: ADDRWC

THE CONTENTS OF THIS DOCUMENT MUST NOT BE COPIED OR DISCLOSED TO A 3rd PARTY WITHOUT WRITTEN PERMISSION OF CLIFF UK © 1992

X-ON Electronics

Largest Supplier of Electrical and Electronic Components

Click to view similar products for [DC Power Connectors](#) category:

Click to view products by [Cliff](#) manufacturer:

Other Similar products are found below :

[1600206-1](#) [163-0301-EX](#) [163-0302](#) [163-0308-EX](#) [163-0310-EX](#) [163-1061-EX](#) [163-1100-EX](#) [163-4024](#) [163-4117-EX](#) [163-4118-EX](#) [163-5005-E](#) [163-7421](#) [163-MJ22-EX](#) [171-0721-EX](#) [171-0725-EX](#) [171-3118-EX](#) [171-3210-E](#) [171-3221-EX](#) [171-3222-EX](#) [171-A1326-EX](#) [173-23507-ST-EX](#) [173-5521TIP-EX](#) [173-6330TIP-EX](#) [KLDVX-SMT-02-ATR](#) [KLDX-0201-AHT-1](#) [KLDX-0202-AHT](#) [KLDX-SMT-0202-BP](#) [KLDX-SMT-0202-BPTR](#) [163-0179-EX](#) [163-0307-E](#) [163-0309-EX](#) [163-4007-EX](#) [163-4015-EX](#) [163-4025](#) [163-4119-E](#) [163-4303-E](#) [16PJ101-EX](#) [171-0702-EX](#) [171-0722-E](#) [171-0726-EX](#) [171-2122-EX](#) [171-3216-EX](#) [171-3218-EX](#) [171-3219-EX](#) [171-3220-EX](#) [171-7391](#) [173-3413-ST-EX](#) [173-4017-ST-EX](#) [RAPCBRK](#) [K596](#)