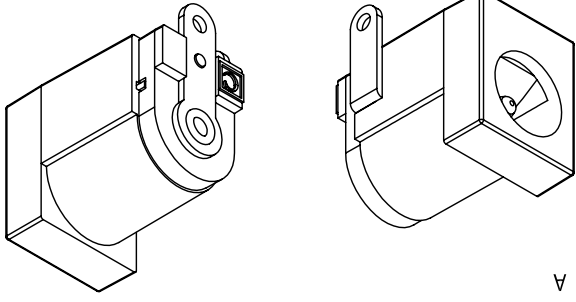
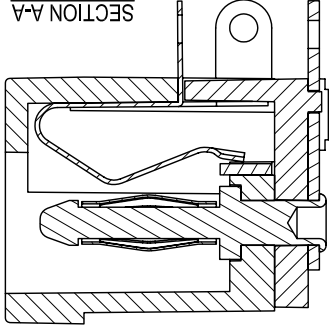
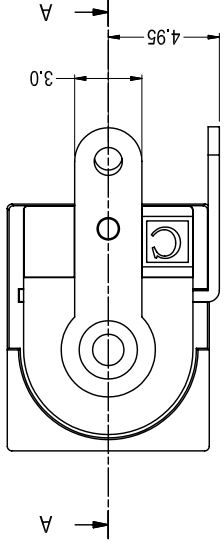
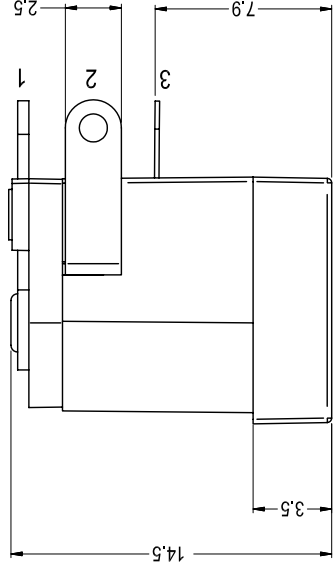
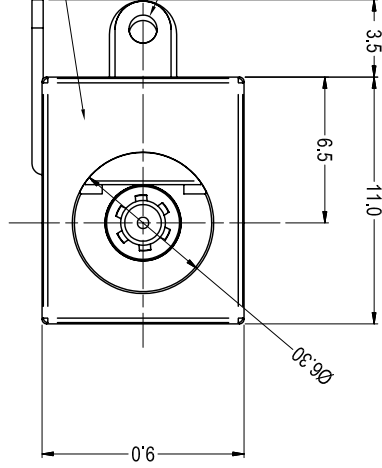
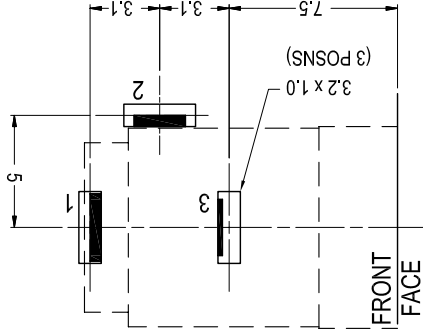


PC LAYOUT
(COMPONENT SIDE
-SOCKET OMITTED
FOR CLARITY)



- 1. SUITABLE FOR USE WITH $\varnothing 2.1\text{mm}$ OR $\varnothing 2.5\text{mm}$ DC PLUG.
- 2. RATED: 5A / 12V DC.
- LIFE: 5,000 INSERTIONS MINIMUM.
- INSULATION RESISTANCE BETWEEN ANY OPEN CONTACT
- > 100M Ω @ 500V DC.
- 3. HOUSING MATERIAL: PBT 30% GF TO UL94 V-0 (3.2mm)
- (CHANG CHUN PLASTIC PB74830)

NOTES:-

Cliff Electronic Components Ltd.
76 Holmehorpe Avenue, Holmehorpe Industrial Estate,
Redhill, Surrey, RH1 2PF, England, UK
Tel: 01737-771375 Fax: 01737-766012 Website: www.cliffuk.co.uk

MATERIAL: PBT / BRASS / PHBtz / BeCu

FINISH: AS MOULDED / SILVER PLATED TAGS

DRAWN: NJB APPROVED: DPJ

TITLE: DC10L SOCKET (SOLDER TAG)

DRWG. No. FC 681465

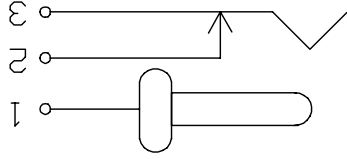
3rd ANGLE PROJECTION: DO NOT SCALE

TOLERANCE
NO DEC. PLACE \pm
1 DEC. PLACE \pm
2 DEC. PLACE \pm
HOLE \varnothing \pm
ANGLES \pm
UNLESS
OTHERWISE STATED



SECTION A-A

SCHMATIC



ISS.

AMEND

DATE

1

2

3

ISSUED

NOTE 3 ADDED

LOGO POSITION

28/07/2011

06/10/2011

22/03/2012

FORM: A4DRWGH

THE CONTENTS OF THIS DOCUMENT MUST NOT BE COPIED OR DISCLOSED TO A 3rd PARTY WITHOUT WRITTEN PERMISSION OF CLIFF UK. © 2011

X-ON Electronics

Largest Supplier of Electrical and Electronic Components

Click to view similar products for [DC Power Connectors](#) category:

Click to view products by [Cliff](#) manufacturer:

Other Similar products are found below :

[1600206-1](#) [163-0301-EX](#) [163-0302](#) [163-0308-EX](#) [163-0310-EX](#) [163-1061-EX](#) [163-1100-EX](#) [163-4024](#) [163-4117-EX](#) [163-4118-EX](#) [163-5005-E](#) [163-7421](#) [163-MJ22-EX](#) [171-0721-EX](#) [171-0725-EX](#) [171-3118-EX](#) [171-3210-E](#) [171-3221-EX](#) [171-3222-EX](#) [171-A1326-EX](#) [173-23507-ST-EX](#) [173-5521TIP-EX](#) [173-6330TIP-EX](#) [KLDVX-SMT-02-ATR](#) [KLDX-0201-AHT-1](#) [KLDX-0202-AHT](#) [KLDX-SMT-0202-BP](#) [KLDX-SMT-0202-BPTR](#) [163-0179-EX](#) [163-0307-E](#) [163-0309-EX](#) [163-4007-EX](#) [163-4015-EX](#) [163-4025](#) [163-4119-E](#) [163-4303-E](#) [16PJ101-EX](#) [171-0702-EX](#) [171-0722-E](#) [171-0726-EX](#) [171-2122-EX](#) [171-3216-EX](#) [171-3218-EX](#) [171-3219-EX](#) [171-3220-EX](#) [171-7391](#) [173-3413-ST-EX](#) [173-4017-ST-EX](#) [RAPCBRK](#) [K596](#)