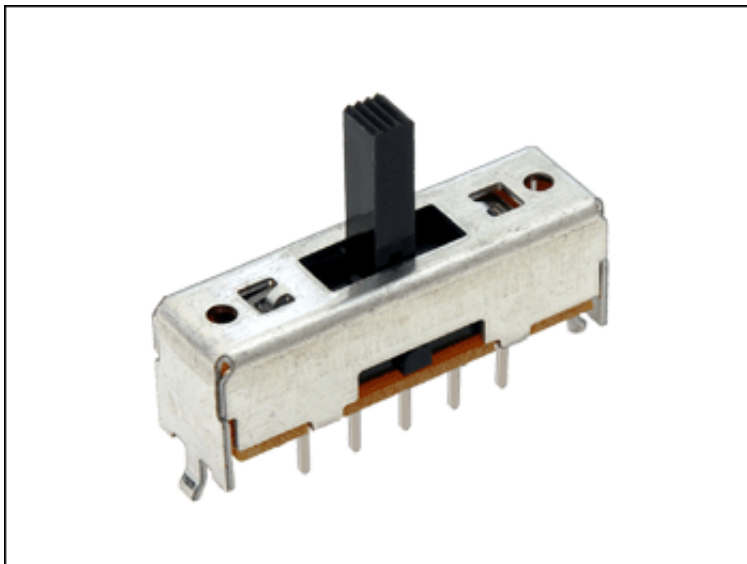


## 8.5(H)mm, 3.0mm-travel Type SSSU Series

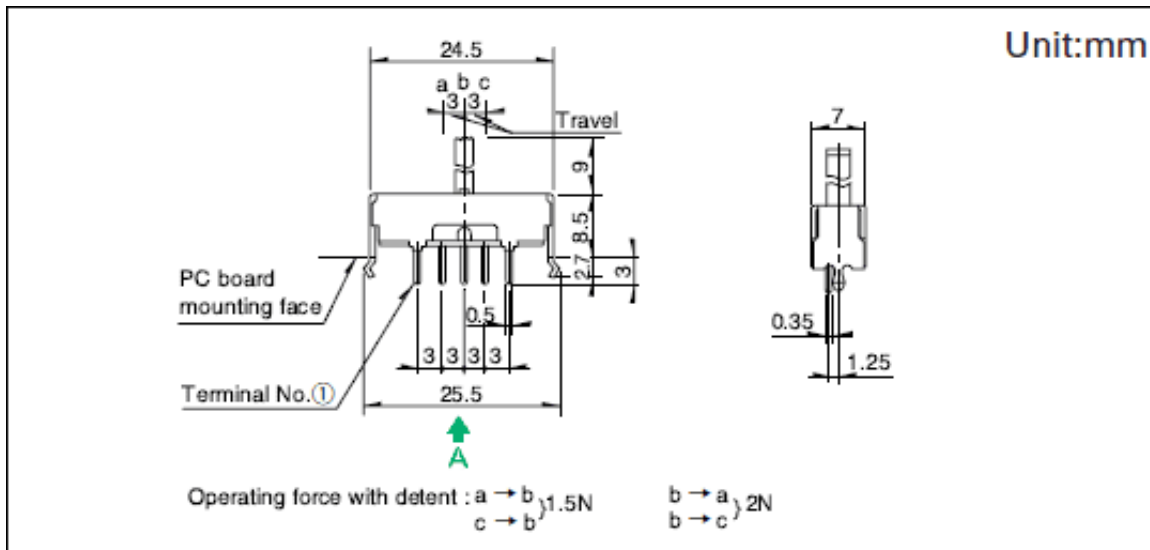
Part number	<b>SSSU015100</b>		
Travel	3mm		
Actuator directions	Vertical		
Actuator length	9mm		
Poles	1		
Positions	3		
Operating force	Refer to the dimensions.		
Mounting method	Snap-in (t1.6)		
Changeover timing	Non shorting		
Soldering	Manual, Dip		
Operating temperature range	-40°C to +85°C		
Rating (max.)/(min.) (Resistive load)	0.1A 30V DC/10μA 1V DC		
Electrical performance	Contact resistance (Initial performance/After lifetime)	25mΩ max./65mΩ max.	
	Insulation resistance	100MΩ min. 500V DC	
	Voltage proof	500V AC for 1 minute	
Mechanical performance	Terminal strength	5N for 1 minute	
	Actuator strength	Operating direction	30N
		Pulling direction	30N, Static force
Durability	Operating life without load	10,000 cycles 45mΩ max.	

	Operating life with load (at max. rated load)	10,000 cycles 65mΩ max.
Environmental performance	Cold	-40±2°C for 500h
	Dry heat	85±2°C for 500h
	Damp heat	60±2°C, 90 to 95%RH for 500h
Minimum order unit (pcs.)	Japan	100
	Export	2,500

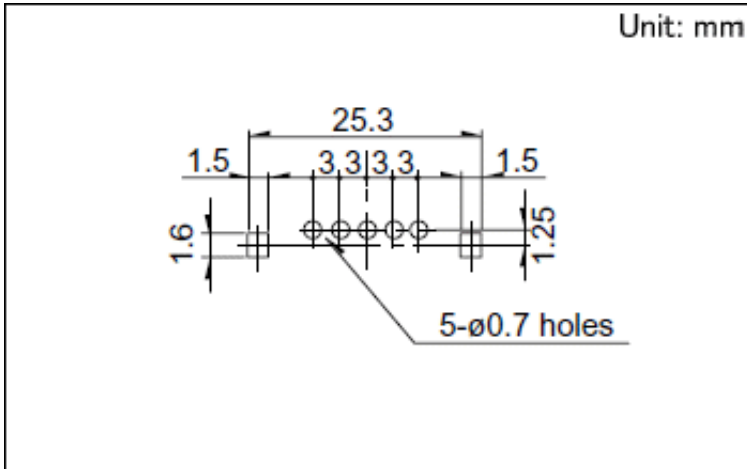
## Photo



## Dimensions

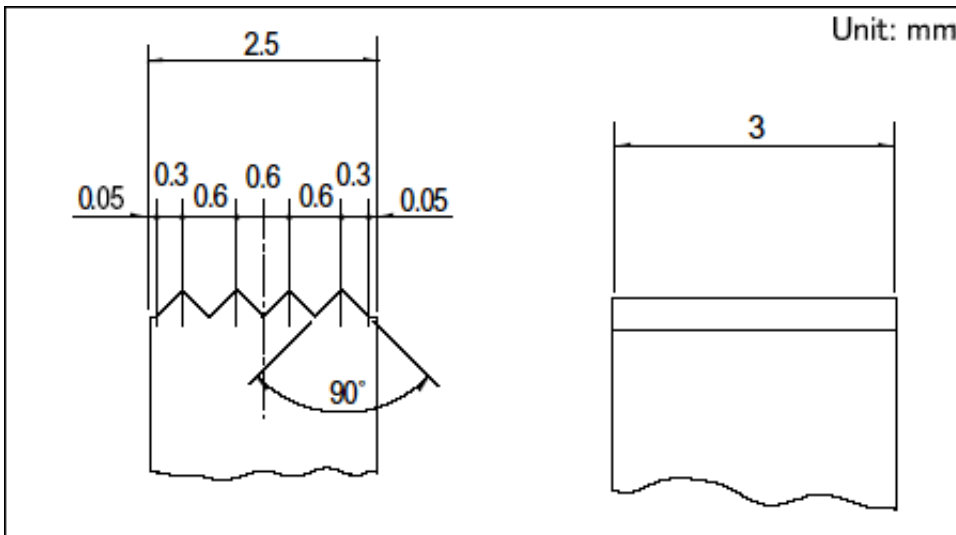


## Mounting Hole Dimensions



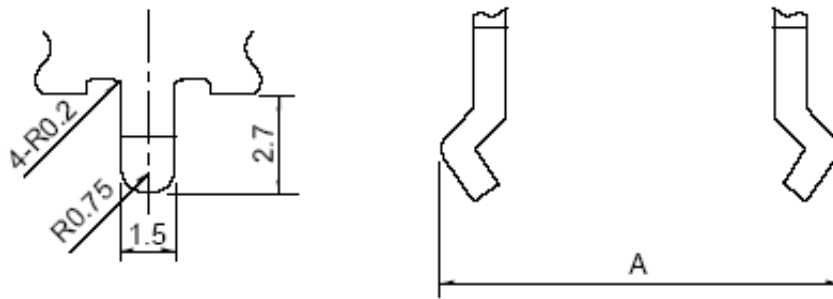
Viewed from direction A in the dimensions.

## Actuator Configuration



## Shape of Frame Leg

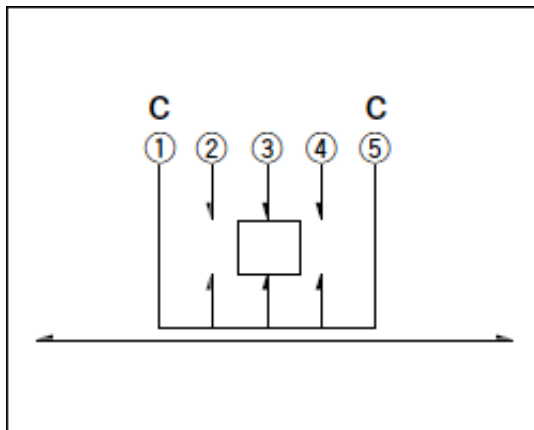
Unit: mm



Pole - position	A	
	Vertical	Horizontal
1 - 2	19.5	19.5
1 - 3	25.5	25.5
2 - 2	19.5	19.5
2 - 3	25.5	25.5
4 - 2	22.5	22.5

Thickness of PC board  $t=1.6$

### Circuit Diagram



### Packing Specifications

#### Bulk

Number of packages 1 case / Japan 500  
(pcs.)

1 case / export  
packing 2,500

Export package measurements (mm) 400×270×290

### Soldering Conditions

### Reference for Dip Soldering

---

Items	Preheating temperature	-
	Preheating time	-
Dip soldering	Soldering temperature	260±5°C
	Duration of immersion	5±1s

---

### Reference for Hand Soldering

---

Soldering temperature	350±10°C
Soldering time	3+1/0s

---

Notes are common to this series/models.

1. This site catalog shows only outline specifications. When using the products, please obtain formal specifications for supply.
2. Please place purchase orders per minimum order unit (integer).
3. Products other than those listed in the above chart are also available. Please contact us for details.
4. Please contact us for automotive use.

## X-ON Electronics

Largest Supplier of Electrical and Electronic Components

*Click to view similar products for [Slide Switches](#) category:*

*Click to view products by [ALPS](#) manufacturer:*

Other Similar products are found below :

[6-1437581-1](#) [M43R](#) [MHS123K15D](#) [MHSS1104A](#) [MMD](#) [GH49S010001](#) [GH49WW00001](#) [1437576-8](#) [EPS1PC1](#) [1825074-1](#) [1825160-3](#)  
[1825167-2](#) [25139NLDB](#) [25436NLDB](#) [25449NAH](#) [25536NA](#) [L101011ML04B](#) [SLB1240R45](#) [SLSA12004](#) [1825078-1](#) [1825080-4](#) [1825081-1](#)  
[1825269-1](#) [1825270-2](#) [STS141RA04](#) [T2215BEN506](#) [GF-124-0204](#) [GH46P000001](#) [GH46W000001](#) [GH49P010001](#) [25339NA](#) [25436NLDH](#)  
[CST91246FK](#) [TG36P000000](#) [TG36P000050](#) [47227LFE](#) [49331L](#) [MHSS1105A](#) [50208L](#) [HW4S-5LF22N3](#) [L202091MS02Q](#) [4-1437581-7](#)  
[X2225CR-437W](#) [48BFSP3M2QT](#) [49329L](#) [1101M1S3ZB8E2](#) [1-1437581-1](#) [EG1218REDACTUATOR](#) [TG39W000000](#) [1825075-1](#)