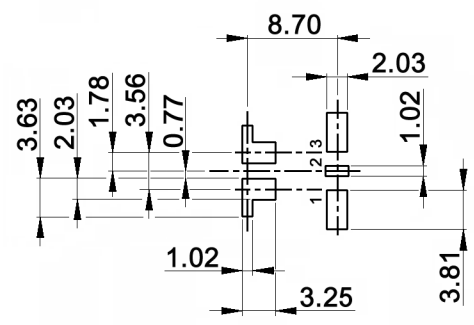


Toggle shown in pos. 1

P.C. MOUNTING



CONTACT ARRANGEMENT:

code for x	function	toggle in position 1	toggle opposite to pos. 1
D	On-On	2-3	1-2
F	On-Mom		

code for x	function	toggle in position 1	toggle in center	toggle opposite
E	On-Off-On			
G	Mom-Off-Mom	2-3	open	1-2
H	On-Off-Mom			

SWITCH RATING:

code for y	contacts and terminals	rating AC with real load	rating DC with real load
empty	silver-plated over nickel	1A/250V, 3A/120V	3A/28V
B	gold-plated over nickel	0.4VA/20V	0.4VA/20V
S	silver-plated over nickel, terminals tin-plated	1A/250V, 3A/120V	3A/28V
T	gold-plated over silver over nickel, terminals tin-plated	1A/250V, 3A/120V	3A/28V
G	gold-plated over silver over nickel	1A/250V, 3A/120V	3A/28V

obsolete 2013 June



Tolerances: 0.00: ±0.25mm 0.0: ±0.40mm		Date	Name
		03/06	dr
Revised	02/14	dr	
Specifications	07/13	dr	
Switch rating	12/11	dr	
Contact arrangement	10/09	dr	
Switch rating	10/09	dr	
P.C.B. Layout	10/07	dr	
Modifications	Date	Name	

SST 1 xy-R

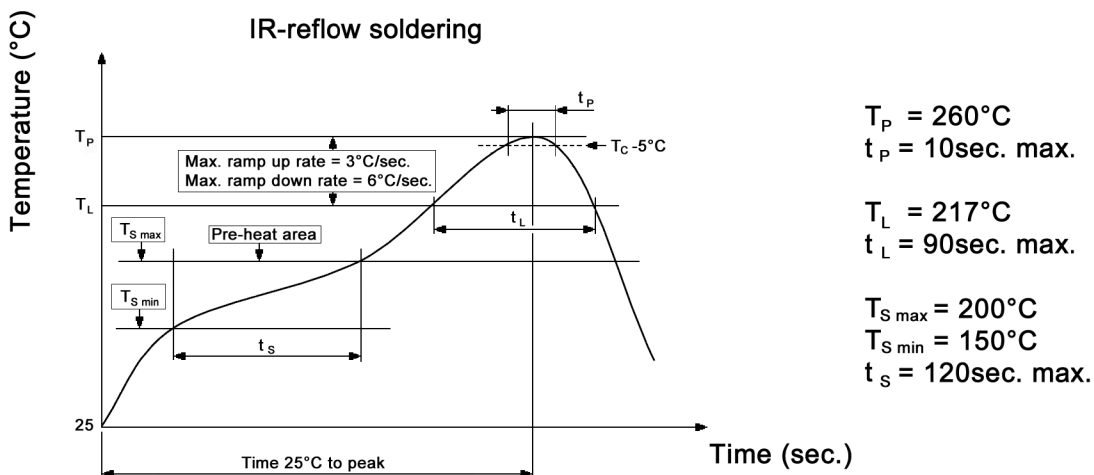
knitter-switch

30 08 36

Specifications:

Contact resistance: 20mOhm max. at 2-4V DC
 Insulation resistance: 1 000MOhm min.
 Dielectric strength: 1 000V RMS
 Operating temperature: -30°C to +85°C
 Mechanical life: 30 000 make-and-break cycles
 IP rating: IP 67
 Material: Case / bushing: glass filled nylon 6/6, flame retardant, heat stabilized (UL94V-0)
 Actuator: brass, chrome plated
 Switch support: brass, tin plated

Soldering conditions:



Tolerances: 0.00: ±0.25mm 0.0: ±0.40mm	Date	Name
	03/06	dr

SST 1 xy-R

Modifications	Date	Name	knitter-switch	30 08 36	Page
					2/2

X-ON Electronics

Largest Supplier of Electrical and Electronic Components

Click to view similar products for [Toggle Switches](#) category:

Click to view products by [Knitter-Switch](#) manufacturer:

Other Similar products are found below :

[A19HV](#) [8A1-C-222](#) [60012L](#) [6006L](#) [6663](#) [7101MD9V30GE](#) [7101SPDV30BE](#) [7103SDV30BE](#) [7105D](#) [7108P3YAV2BE](#) [71YY50282](#)
[7201MD9AVBE](#) [7301K38](#) [7306K36](#) [7310K36](#) [7314K36](#) [7506K4](#) [7592K6](#) [7691K14](#) [7700K1](#) [8396K108](#) [8824K14](#) [8828K13](#) [G2VX](#) [G3VX](#)
[PS83-121G](#) [A101MD9AB04](#) [A101SD9AB04](#) [A101SDCQ04](#) [A103SD9AQ04](#) [A107TZB04](#) [A123P32YZQ](#) [A123S1YZG](#) [A127S1YCQ](#) [1-](#)
[1825192-0](#) [A131S1YZQ](#) [A201SCWZB04](#) [A207SYCB04](#) [A208J61ZQ0004](#) [A221K12KAG](#) [A221S1YZQ](#) [A221T1TCQ](#) [A232K12KZQ](#)
[A232M1YCQ](#) [A323S1CWZQ](#) [A423S1CWZG-M8](#) [A423S1YZQ](#) [12149A-3V](#) [12156AX408](#) [12147AGKX679](#)