

REV	ECN, ERN NO.	DATE	APPRD.
E	PRODUCT DRAWING (EAR 14155)	JUN29/15	K.L.

REVISIONS			
NO DIGIT = STANDARD 15 MICRONS GOLD ON MATING AREA	0-50 MICRONS [1.27 MICRONS] GOLD ON CONTACT FINISH/GOLD THICKNESS		
MODIFIER			
B=METAL MOUNTING BRACKETS			
GOLD ON MATING AREA			
CONNECTOR STYLE			
P=PIN			
S=SOCKET			
TERMINATION TYPE			
A=.318 [8.08] FOOTPRINT			
MOUNTING			
2=.120 [3.05] DIA THROUGH HOLE			
3=#4-40 UNC SELF-LOCKING THREAD			
4=#4-40 UNC THREAD			
6=#3 x 0.5 THREAD			
E=CODE 4 MOUNTING WITH #4-40 UNC HEX JACK SOCKETS SUPPLIED.			
F=FIXED FRONT JACK SOCKET #4-40 UNC			
D=50 pf			
B=100 pf			
7=1200 pf			
6=1500 pf			
0=180 pf			
T=220 pf			
J=1500 pf			
E=2200 pf			
L=380 pf			
8=4700 pf			
9=5600 pf			
1=470 pf			
8=47000 pf			
N=NO FILTERS			
4=820 pf			
REFER TO AMPHENOL CATALOGUE FOR FILTER PERFORMANCE CHARACTERISTICS			



NOTES:

1. MATERIALS: ALL MATERIALS ARE ROHS COMPLIANT.
 2. CONTACT RESISTANCE: 15 MILLIOHMS MAXIMUM
 3. INSULATION RESISTANCE: 3000 MEGOHMS MINIMUM
 4. CURRENT RATING: 5 AMPS MAXIMUM
 5. OPERATING TEMPERATURE: -40C TO 85C
 6. TOLERANCE UNLESS INDICATED OTHERWISE: ±.005 [0.13]
- CONTACTS: PHOSPHOR BRONZE, PLATED WITH GOLD OVER 50µ" [1.27 MICRONS] MINIMUM NICKEL IN THE MATING AREA AND 100µ" [2.54 MICRONS] MINIMUM MATTE TIN ON THE TAILS.
 - INSULATOR: ENGINEERING THERMOPLASTIC, GLASS REINFORCED, UL FLAMMABILITY RATING 94V-0, COLOUR: BLACK
 - MOUNTING HARDWARE, STEEL OR COPPER ALLOY, TIN OR NICKEL PLATED.

SIZE	STYLE	A#	B#	C#	D#	E BSC.
E09	PIN	1.213	[30.81]	.666 [16.92]	.984 [24.99]	[10.97]
A15	PIN	1.541	[39.14]	.971 [24.66]	1.312 [33.32]	[19.20]
B25	PIN	2.088	[53.04]	1.534 [38.96]	1.852 [47.04]	[33.12]
C37	PIN	2.729	[69.32]	2.159 [54.84]	2.500 [63.50]	[49.68]
	SOCKET					

AMPHENOL Canada Corp.

DESIGNED BY: DRAWN K. LAMBIE

DATE: MAR13/05

REV. E

DWG. NO. P-FCE17-XXXXA-XXBX

ENG. REL. NO.

DWG. APPRD.

L. E. APPRD.

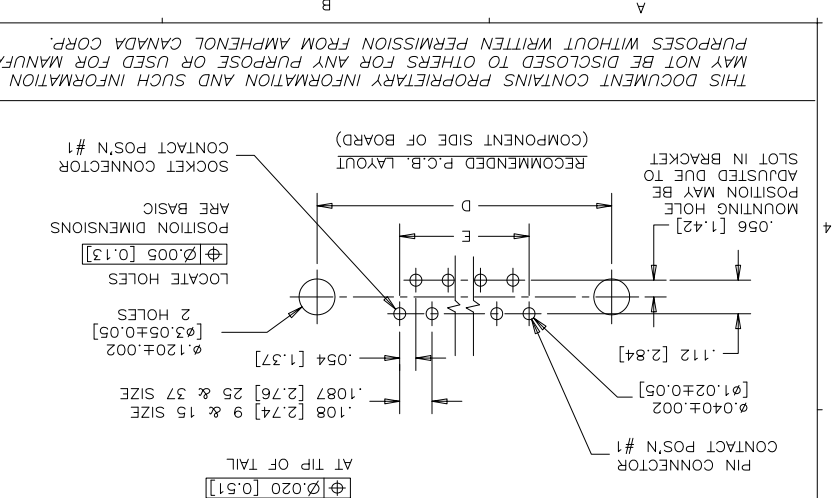
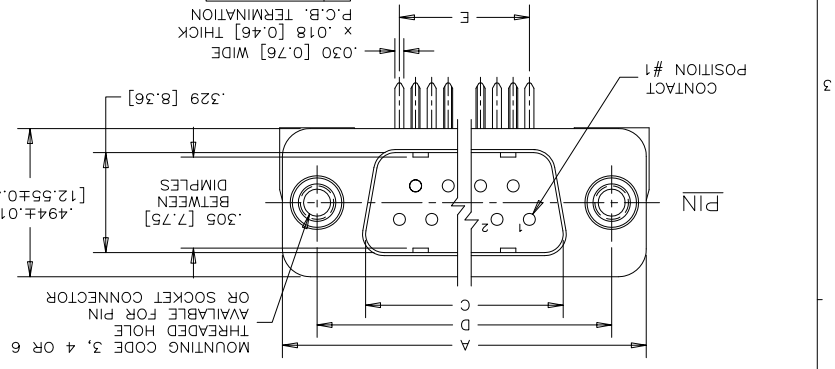
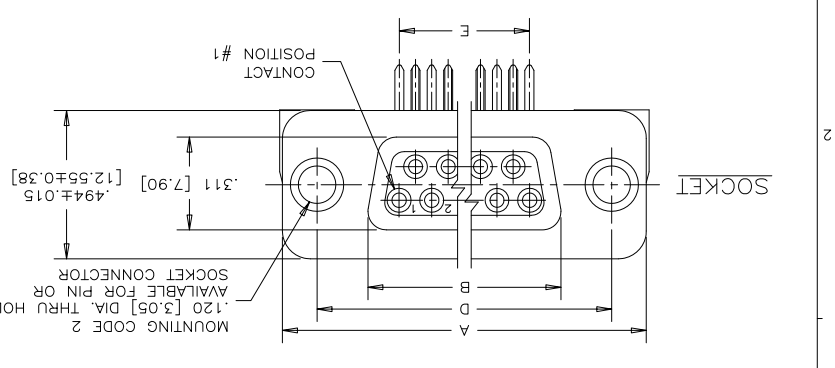
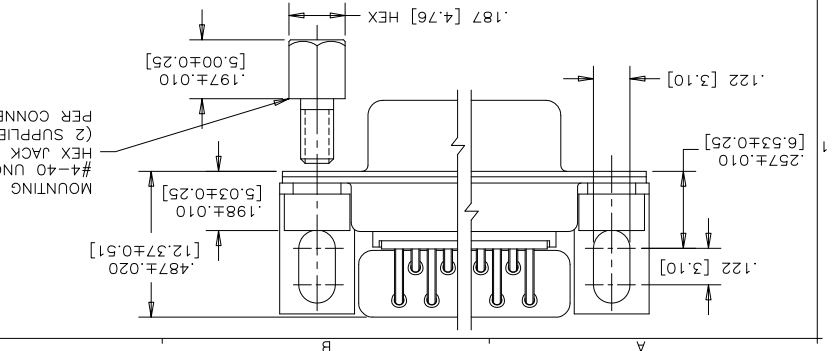
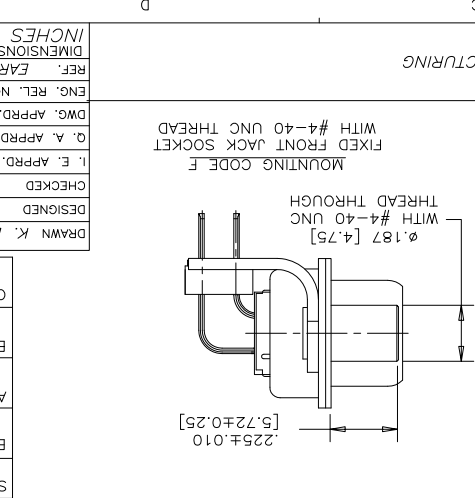
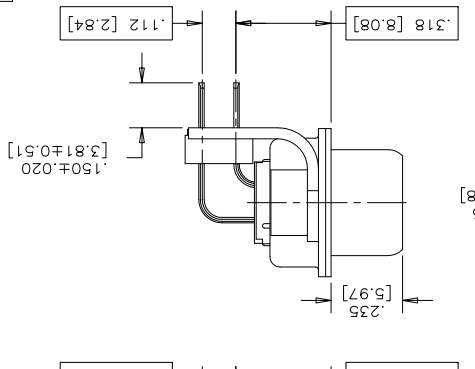
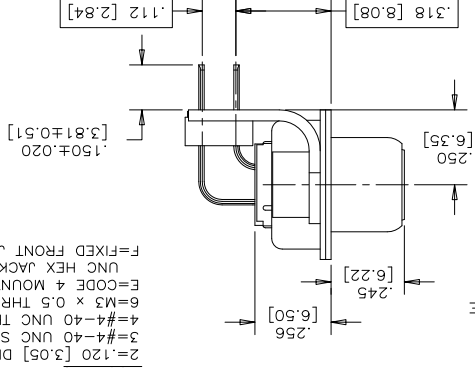
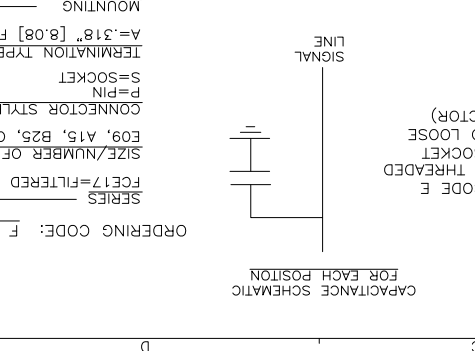
G. A. APPRD.

REF. EAR #12742

DIMENSIONS ARE IN INCHES [mm]

SCALE 3/1

SHEET 1 OF 1



THIS DOCUMENT CONTAINS PROPRIETARY INFORMATION AND SUCH INFORMATION MAY NOT BE DISCLOSED TO OTHERS FOR ANY PURPOSE OR USED FOR MANUFACTURING PURPOSES WITHOUT WRITTEN PERMISSION FROM AMPHENOL CANADA CORP.

X-ON Electronics

Largest Supplier of Electrical and Electronic Components

Click to view similar products for [D-Sub Standard Connectors](#) category:

Click to view products by [Amphenol](#) manufacturer:

Other Similar products are found below :

[DCM37S732N](#) [DAM15P500](#) [DEV09S364GTLF](#) [DEM09P032N](#) [DDM50P732N](#) [DAM15S332N](#) [173109-2218](#) [173109-2466](#) [173109-2436](#)
[173109-2435](#) [56F706-005-LI](#) [56F711-015](#) [015-0341-000](#) [015-0372-008](#) [015-8544-011](#) [017041-0005](#) [020419-0104](#) [012-0515-000](#) [012-9507-](#)
[034](#) [012-9507-114](#) [012-9534-001](#) [020745-0008](#) [609-25P](#) [M24308/2-23Z](#) [M243082310F](#) [M243082410F](#) [M243082411F](#) [M24308/4-21](#)
[CT1A18-11PSA206](#) [CT1N36-5SC](#) [CT2-16S-17PS](#) [CT2-20-15PCAU](#) [CT2-24-12PS](#) [CT2-24-28PSF127A206](#) [CT2-32-9PC](#) [CT6F9767-14-4-](#)
[14S-5PC](#) [CT6FA10SL-4PS](#) [CT7-18-10SC](#) [CT7-18-10SCAU](#) [CT7-18-12SCAU](#) [CT7-18-1PC](#) [CT7-18-1PCAU](#) [CT7-18-21SCAU](#) [M83513/01-](#)
[FC](#) [M83723/76W24619 L/C](#) [M85049/48-3-2F](#) [69001-865](#) [6STD09PCM99B70X](#) [6STD09SCM99B30X](#) [6STD09SCT99S40X](#)