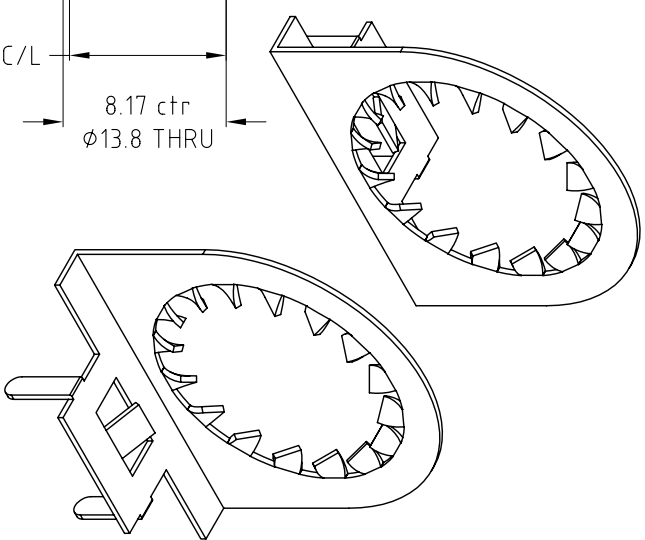


DETAIL B
TEETH TWISTED 45°
SCALE 2.5/1



ISS.	AMEND	DATE
1	1 st DRAWN	05/04/94
2	TEETH CHANGE	28/06/94
3	PCB: 4mm WAS 5mm	30/06/94
4	16 TEETH WAS 20	06/07/94
5	Ø11.0 WAS Ø10.8	14/07/94
6	SEE MOD 02/14	12/08/95
7	WAS CL1422	07/04/05
8	UPDATED	11/06/05
9	Ø11.2 WAS Ø11 REDRAWN	12/07/11

ROHS
COMPLIANT

TOLERANCE
NO DEC. PLACE ±0.25
1 DEC. PLACE ±0.10
2 DEC. PLACE ±
HOLE Ø ±
ANGLES ±1/2°
UNLESS
OTHERWISE STATED

Cliff Electronic Components Ltd.
76 Holmehope Avenue, Holmehope Industrial Estate,
Redhill, Surrey, RH1 2PF, England, UK
Tel: 01737-771375 Fax: 01737-766012 Website: www.cliffuk.co.uk

DIMENSIONS IN MILLIMETERS UNLESS OTHERWISE STATED. WORK TO DIMENSIONS. REMOVE ALL BURRS. IF IN DOUBT ASK.
MATERIAL: SPRING STEEL 0.32mm THK
FINISH: TIN PLATED (MUST BE SOLDERABLE)
DRAWN: C.A.M.J. APPROVED: R.W.T.

3rd ANGLE PROJECTION: DO NOT SCALE
TITLE: EARTHING WASHER FOR S2/S4 JSKT (2 PIN TYPE)
DRWG. No. FCR14422

THE CONTENTS OF THIS DOCUMENT MUST NOT BE COPIED OR DISCLOSED TO A 3rd PARTY WITHOUT WRITTEN PERMISSION OF CLIFF UK. © 1994

FORM: A4DRWGH

X-ON Electronics

Largest Supplier of Electrical and Electronic Components

Click to view similar products for [DC Power Connectors](#) category:

Click to view products by [Cliff](#) manufacturer:

Other Similar products are found below :

[1600206-1](#) [163-0301-EX](#) [163-0302](#) [163-0308-EX](#) [163-0310-EX](#) [163-1061-EX](#) [163-1100-EX](#) [163-4024](#) [163-4117-EX](#) [163-4118-EX](#) [163-5005-E](#) [163-7421](#) [163-MJ22-EX](#) [171-0721-EX](#) [171-0725-EX](#) [171-3118-EX](#) [171-3210-E](#) [171-3221-EX](#) [171-3222-EX](#) [171-A1326-EX](#) [173-23507-ST-EX](#) [173-5521TIP-EX](#) [173-6330TIP-EX](#) [KLDVX-SMT-02-ATR](#) [KLDX-0201-AHT-1](#) [KLDX-0202-AHT](#) [KLDX-SMT-0202-BP](#) [KLDX-SMT-0202-BPTR](#) [163-0179-EX](#) [163-0307-E](#) [163-0309-EX](#) [163-4007-EX](#) [163-4015-EX](#) [163-4025](#) [163-4119-E](#) [163-4303-E](#) [16PJ101-EX](#) [171-0702-EX](#) [171-0722-E](#) [171-0726-EX](#) [171-2122-EX](#) [171-3216-EX](#) [171-3218-EX](#) [171-3219-EX](#) [171-3220-EX](#) [171-7391](#) [173-3413-ST-EX](#) [173-4017-ST-EX](#) [RAPCBRK](#) [K596](#)