

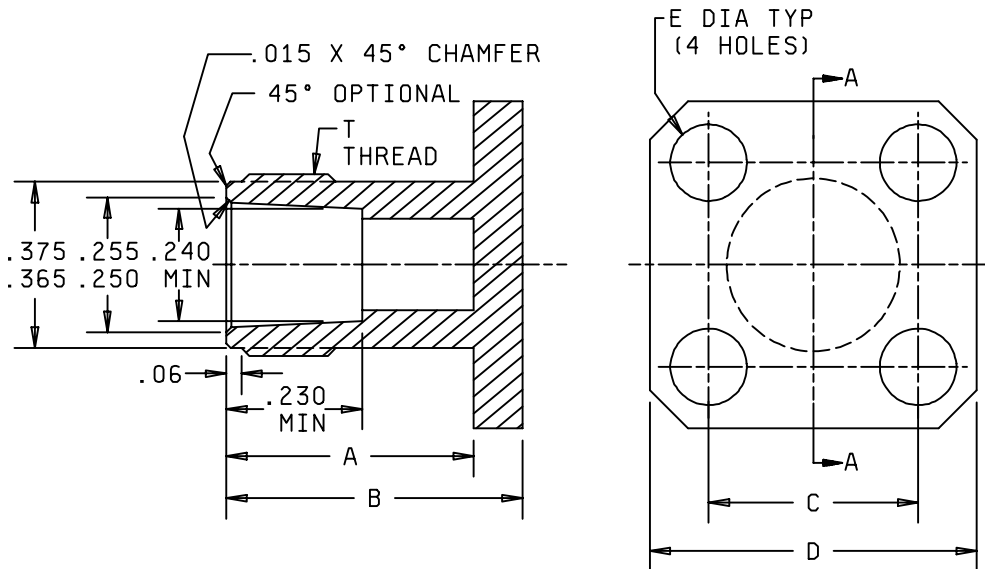
**REVISIONS**

<b>LTR</b>	<b>DESCRIPTION</b>	<b>DATE</b>	<b>APPROVED</b>
A	Part number and source update. Editorial changes throughout.	14 June 2001	Robert Heber

Prepared in accordance with MIL-STD-100

<b>REV</b>																			
<b>PAGE</b>																			
<b>REV STATUS</b>	<b>REV</b>	A	A	A	A	A	A	A	A	A									
<b>OF PAGES</b>	<b>PAGE</b>	1	2	3	4	5	6	7	8										

<b>PMIC</b> N/A	<b>PREPARED BY</b> Ron Gary	<b>DEFENSE SUPPLY CENTER, COLUMBUS</b> <b>COLUMBUS, OHIO 43216-5000</b>
Original date of drawing 10 Aug 1987	<b>CHECKED BY</b> C. W. Koeller	<b>TITLE</b> <b>CONNECTOR, RADIO FREQUENCY, DUMMY</b> <b>STOWAGE, VARIOUS SERIES</b>
	<b>APPROVED BY</b> Richard Marbais	
	<b>SIZE</b> <b>A</b>	<b>CAGE CODE</b> <b>037Z3</b>
	<b>REV</b> A	<b>PAGE</b> 1 <b>OF</b> 8



Inches	mm	Inches	mm
.015	0.38	.250	6.35
.06	1.52	.255	6.48
.230	5.84	.365	9.27
.240	6.10	.375	9.53

PIN	A	B	C	D	E	T (thread)	Series
87093ZBS	.99 (25.15)	1.07 (27.18)	.510 (12.95)	.700 (17.78)			
87093ZSP	.96 (24.38)	1.01 (25.65)	.490 (12.45)	.680 (17.27)	.125 (3.18)	.4375-28-UNEF-2A	TK

NOTES:

1. Dimensions are in inches.
2. Metric equivalents are given for general information only.
3. Metric equivalents are in parenthesis.

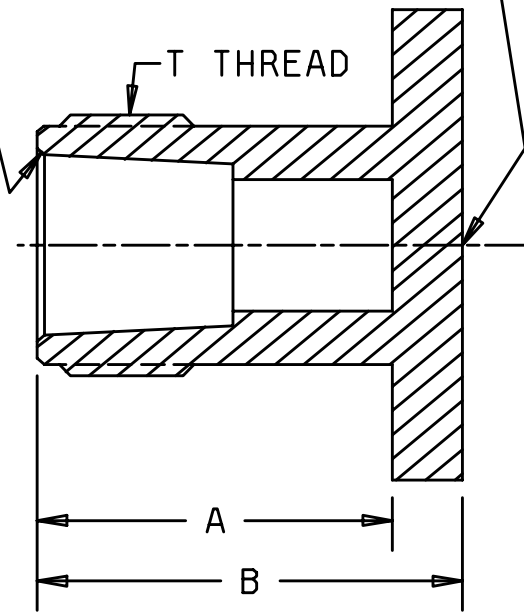
FIGURE 1. Dummy stowage, series TK.

<b>DEFENSE SUPPLY CENTER, COLUMBUS</b> <b>COLUMBUS, OH 43216-5000</b>	SIZE <b>A</b>	CAGE CODE <b>037Z3</b>	DWG NO. <b>87093</b>
		REV <b>A</b>	PAGE <b>2</b>

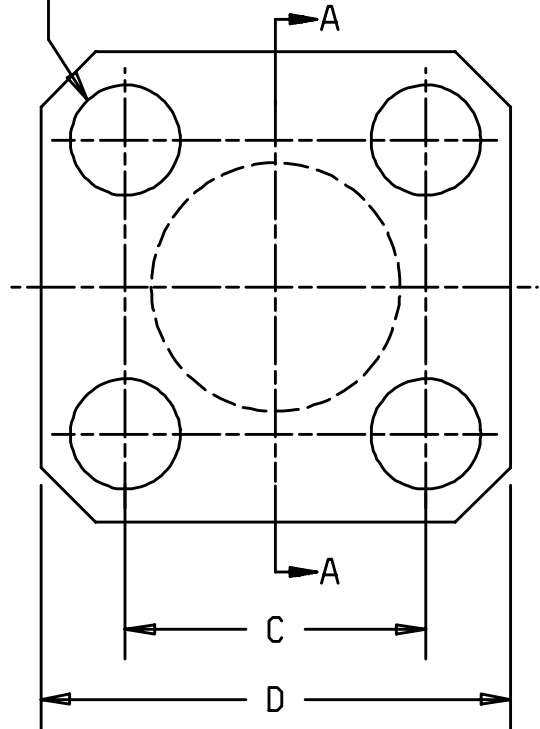
INTERFACE IAW  
MIL-STD-348 FIGURE  
313-2 MINUS CONTACT  
AND DIELECTRIC

BACK MAY BE  
OPENED OR CLOSED

T THREAD



E DIA TYP  
(4 HOLES)



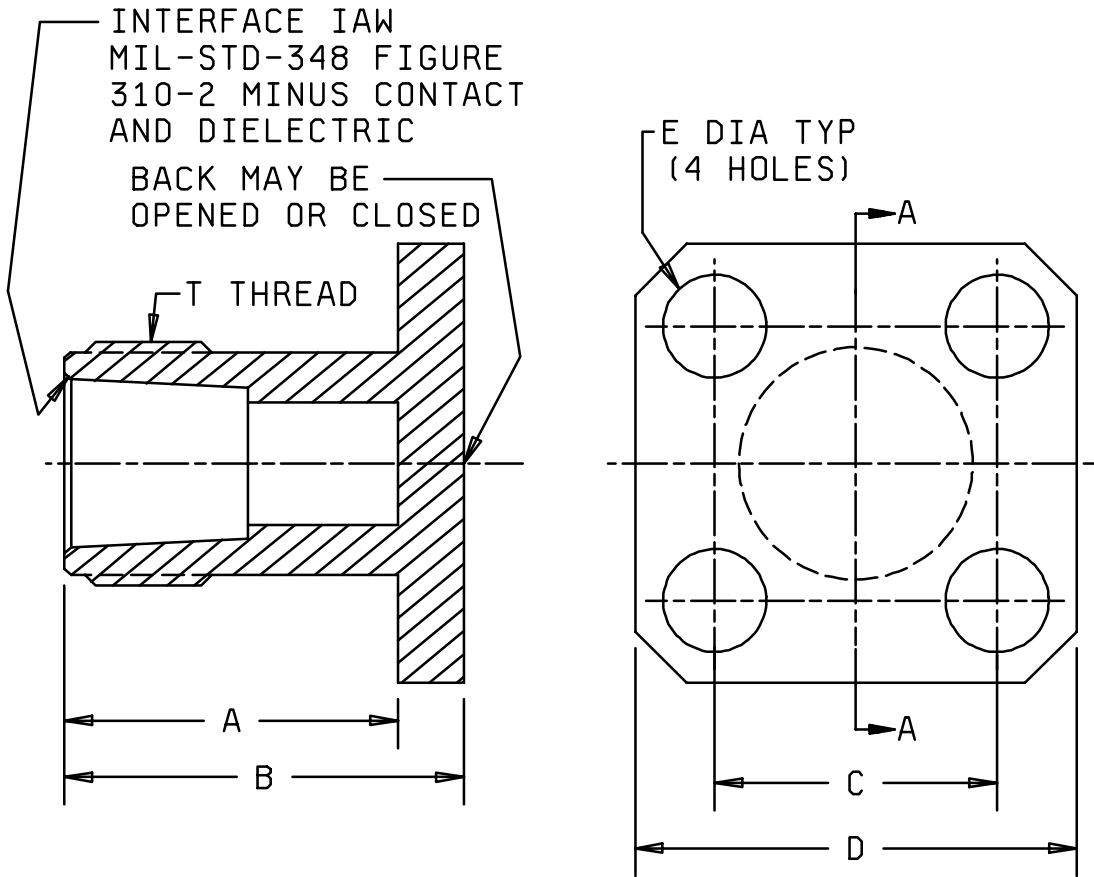
PIN	A	B	C	D	E	T (thread)	Series
87093TBS	.630 (16.00)	.725 (18.42)	.504 (12.88)	.70 (17.8)			
87093TSP	.540 (13.70)	.625 (15.88)	.496 (12.60)	.68 (17.3)	.125 (3.18)	.4375-28-UNEF-2A	TNC

NOTES:

1. Dimensions are in inches.
2. Metric equivalents are given for general information only.
3. Metric equivalents are in parenthesis.

FIGURE 2. Dummy stowage, series TNC.

<b>DEFENSE SUPPLY CENTER, COLUMBUS</b> <b>COLUMBUS, OH 43216-5000</b>	SIZE <b>A</b>	CAGE CODE <b>037Z3</b>	DWG NO. <b>87093</b>
		REV <b>A</b>	PAGE <b>3</b>



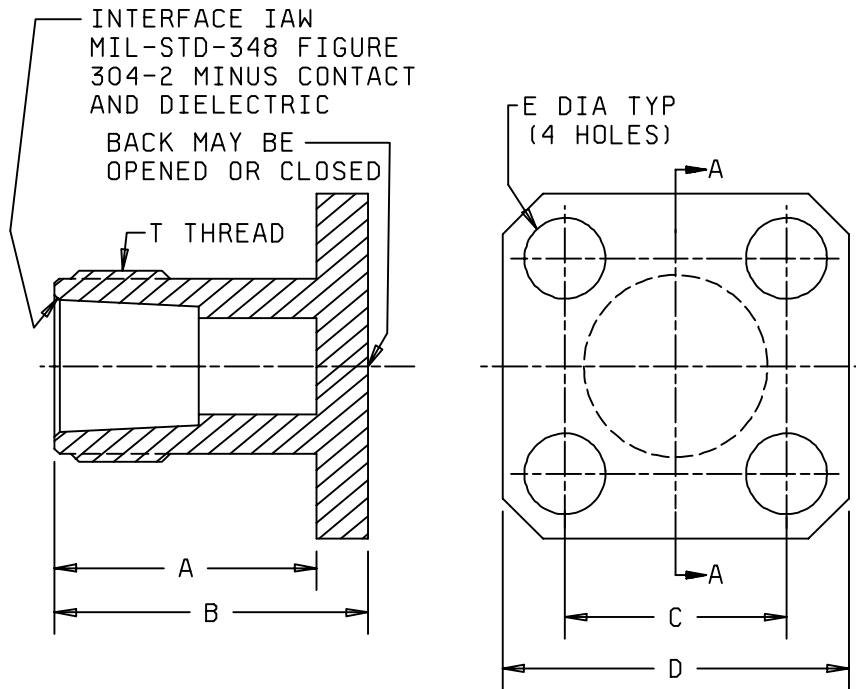
PIN	A	B	C	D	E	T (thread)	Series
87093SSP	.340 (8.64)	.415 (10.54)	.342 (8.69)				
87093SCG	.310 (7.87)	.365 (9.27)	.338 (8.59)	.510 max (12.95)	.102 (2.59)	.250-36-UNS-2A	SMA

NOTES:

1. Dimensions are in inches.
2. Metric equivalents are given for general information only.
3. Metric equivalents are in parenthesis.

FIGURE 3. Dummy stowage, series SMA.

<b>DEFENSE SUPPLY CENTER, COLUMBUS COLUMBUS, OH 43216-5000</b>	SIZE	CAGE CODE	DWG NO.
	<b>A</b>	<b>037Z3</b>	<b>87093</b>
		REV <b>A</b>	PAGE <b>4</b>



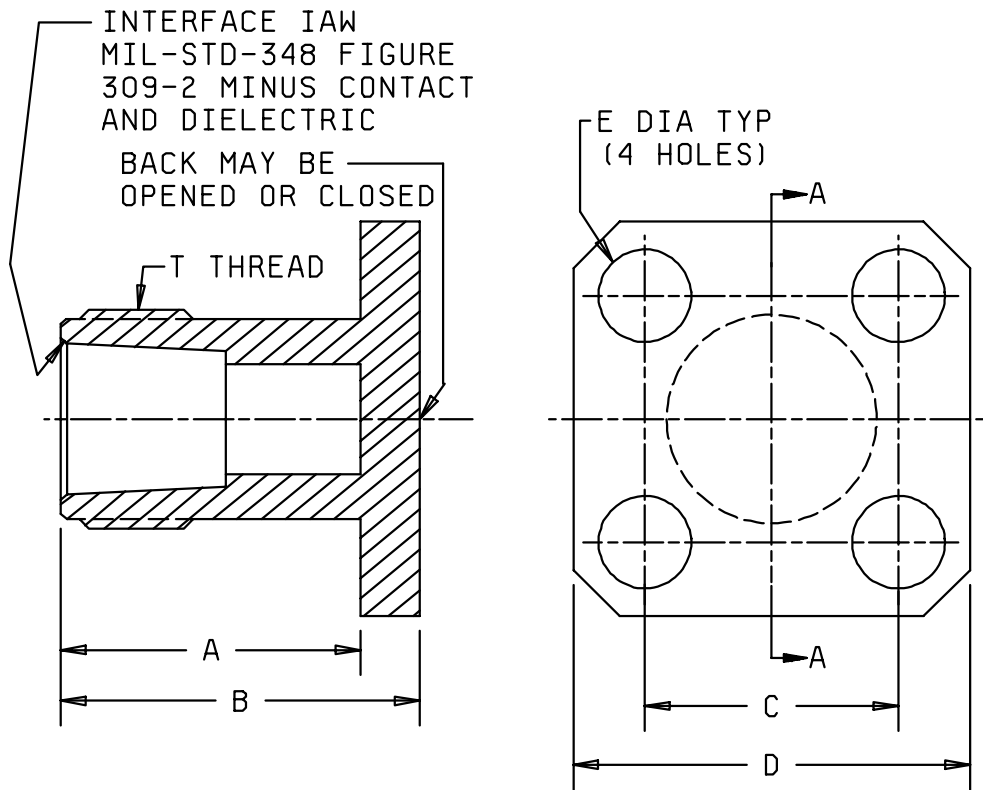
PIN	A	B	C	D	E	T (thread)	Series
87093NBS	.671 (17.04)	.756 (19.20)	.723 (18.36)	1.00 (25.40)			
87093NSP	.641 (16.28)	.716 (18.19)	.713 (18.11)	.985 (25.02)	.125 (3.18)	.625-24-UNEF-2A	N

NOTES:

1. Dimensions are in inches.
2. Metric equivalents are given for general information only.
3. Metric equivalents are in parenthesis.

FIGURE 4. Dummy stowage, series N.

<b>DEFENSE SUPPLY CENTER, COLUMBUS</b> <b>COLUMBUS, OH 43216-5000</b>	SIZE  <b>A</b>	CAGE CODE  <b>037Z3</b>	DWG NO.  <b>87093</b>
		REV <b>A</b>	PAGE <b>5</b>



NOTES:

1. Dimensions are in inches.
2. Metric equivalents are given for general information only.
3. Metric equivalents are in parenthesis.
4. Tolerances shall be  $\pm 0.015$  unless otherwise specified.

PIN	A	B	C	D	E	T (thread)	Series
87093ZBS-1	.865 (21.97)	.960 (24.38)	.720 (18.29)	1.00 (25.40)			
87093ZSP-1	.835 (21.21)	.910 (23.11)	.714 (18.14)	.985 (25.02)	.125 (3.18)	.6875-24-UNEF-2A	SC

FIGURE 5. Dummy stowage, series SC.

<b>DEFENSE SUPPLY CENTER, COLUMBUS</b> <b>COLUMBUS, OH 43216-5000</b>	SIZE  <b>A</b>	CAGE CODE  <b>037Z3</b>	DWG NO.  <b>87093</b>
		REV <b>A</b>	PAGE <b>6</b>

ENGINEERING DATA:

Temperature rating: -65°C to +260°C.

REQUIREMENTS:

Dimensions and configurations: See figures 1 through 5.

Insulation resistance: Not applicable.

Corrosion (salt Spray): Method 101, test condition B, MIL-STD-202. The salt solution concentration shall be 5 percent.

Special detail: After exposure, hardware shall be washed, shaken, and lightly brushed, as specified in method 101 of MIL-STD-202, and then permitted to dry for 24 hours at 40°C. Hardware shall then be examined for evidence of corrosion and pitting and ease of coupling.

Part or Identifying Number (PIN): See table I.

Approved sources of supply. Approved sources of supply are listed herein. Additional sources will be added as they become available. The vendors listed on the requirements drawing have agreed to this drawing and a certificate of compliance has been submitted to DSCC-VAI.

<b>DEFENSE SUPPLY CENTER, COLUMBUS COLUMBUS, OH 43216-5000</b>	SIZE	CAGE CODE	DWG NO.
	<b>A</b>	<b>037Z3</b>	<b>87093</b>
	REV	<b>A</b>	PAGE <b>7</b>

TABLE I. PIN's

DSCC drawing PIN <u>1/</u>	Vendor CAGE number	Vendor reference PIN
87093ZBS 87093ZSP 87093TBS 87093TSP 87093SSP 87093SCG 87093NBS 87093NSP 87093ZBS-1 87093ZSP-1	00795	7163000A090-002 7163000K090-001 1263000A090-000 1263000K090-001 1363000K050-002 1363000G050-001 1163000A330-000 1163000K330-002 1963000A330-001 1963000K330-002

1/ Parts must be purchased to this DSCC PIN to assure that all performance requirements and tests are met.

Vender CAGE  
number

00795

Vendor name  
and address

Delta Electronics  
416 Cabot Street  
Beverly, MA 01915

**DEFENSE SUPPLY CENTER, COLUMBUS  
COLUMBUS, OH 43216-5000**

SIZE

**A**

CAGE CODE

**037Z3**

REV

**A**

DWG NO.

**87093**

PAGE

**8**



## X-ON Electronics

Largest Supplier of Electrical and Electronic Components

*Click to view similar products for [RF Connectors](#) / [Coaxial Connectors](#) category:*

*Click to view products by [Delta](#) manufacturer:*

Other Similar products are found below :

[R125315120](#) [8915-1511-000](#) [89674-0827](#) [5916-1103-603](#) [0106-001-000](#) [6-0001-3](#) [6001-7071-019](#) [6002-7051-003](#) [6002-7551-202](#) [6059674-1](#) [619550-1](#) [630059-000](#) [M39012/25-0021](#) [M39012/79-3008](#) [M39030/3-01N](#) [M39030/3-03N](#) [M3933/25-29N](#) [M3933/25-36N](#) [6500-7071-046](#) [6501-1071-002](#) [M83723/72W24576](#) [M83723/72W2457N](#) [6769](#) [CX050L2AQ](#) [7002-1541-010](#) [7003-1572-002](#) [7004-1512-000](#) [7009-1511-004](#) [7010-1511-000](#) [7029-1511-060](#) [7101-1541-010](#) [7101-1571-002](#) [7105-1521-002](#) [7145-1521-002](#) [7209-1511-011](#) [7210-1511-012](#) [7210-1511-015](#) [7210-1511-019](#) [7210-1511-040](#) [7225-1512-050](#) [7242-1511-000](#) [73137-5015](#) [73216-2241](#) [73251-0111](#) [73251-0672](#) [73276-1501](#) [73366-0013](#) [73404-2300](#) [73413-6080](#) [734151610](#)