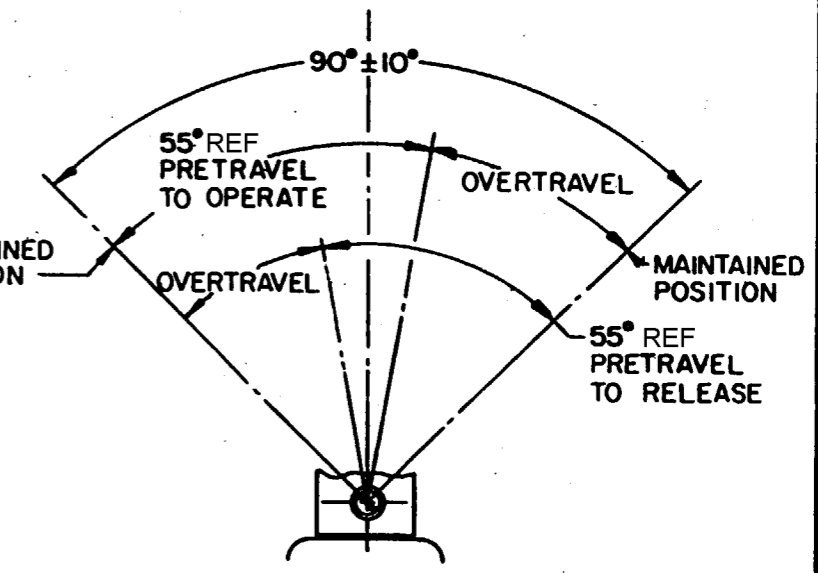
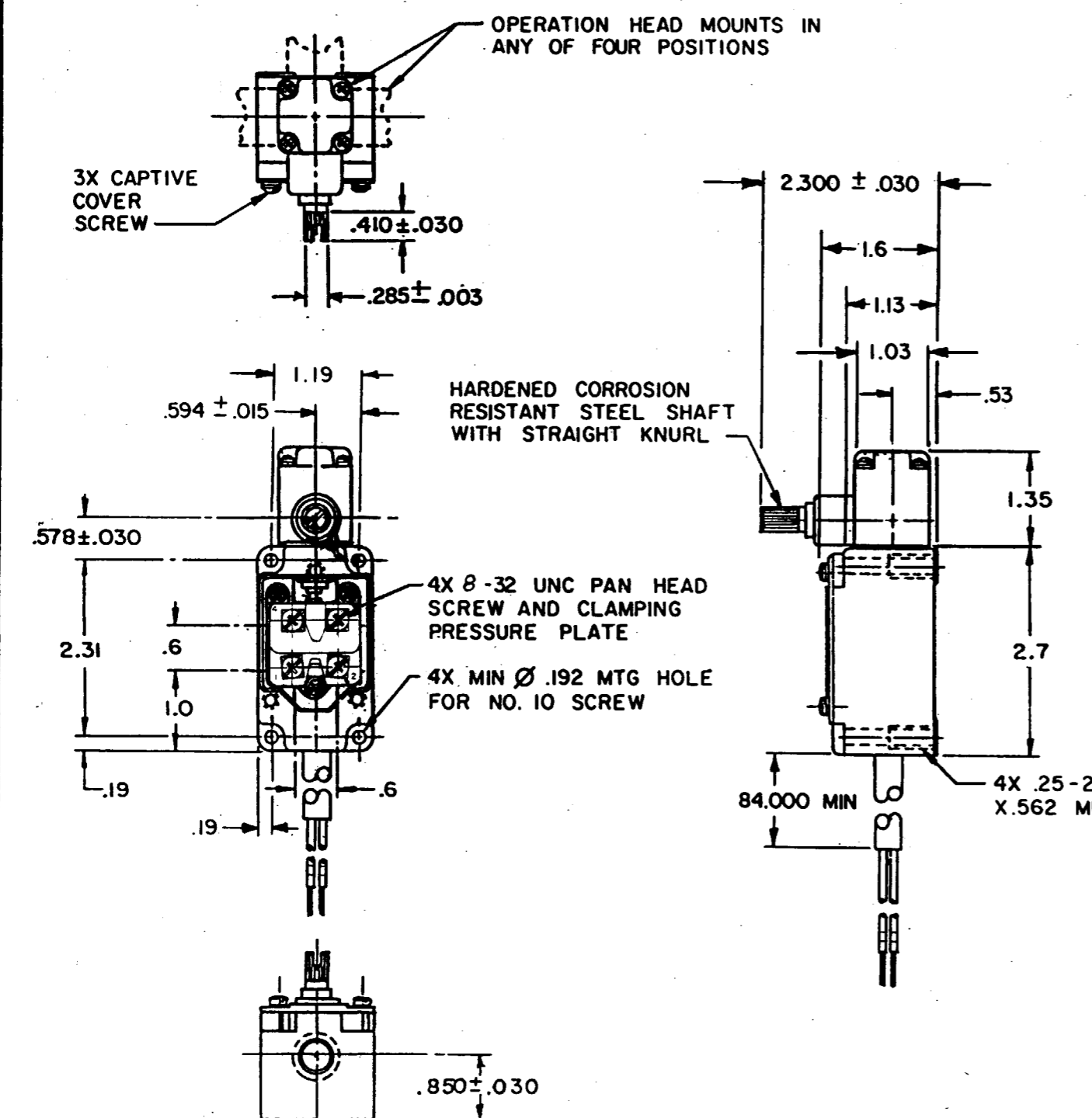
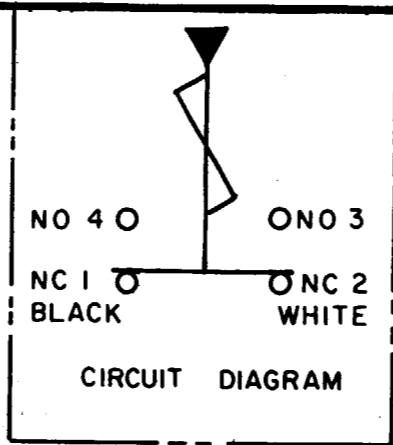


MICRO SWITCH
 FREEPORT, ILLINOIS, U.S.A.
 A DIVISION OF HONEYWELL
 FED. MFG. CODE 91929

SWITCH-ENCLOSED

CATALOG LISTING
6LS2-7

6LS2-7
 M
 DRAWING NUMBER
 X
 ISSUE
 3
 REVISIONS
 A CO-77031
 J B B
 22 DEC 93
 B 202975
 GLH
 11MAY01
 CHECK
 G-R7 20 SEP 90
 CHECK
 SAV 17 SEP 90
 DRAWN
 FO-52851-B



MECHANICAL TRIP TO OCCUR BEFORE ELECTRICAL TRIP IN CW DIRECTION

NOTES
 1 - PROVIDED WITH 16 GAGE, 2 CONDUCTOR TYPE SO CABLE

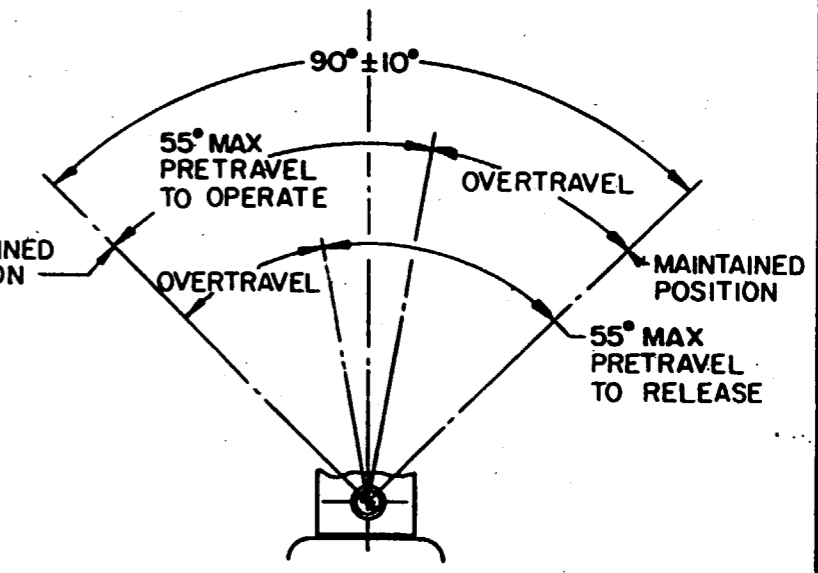
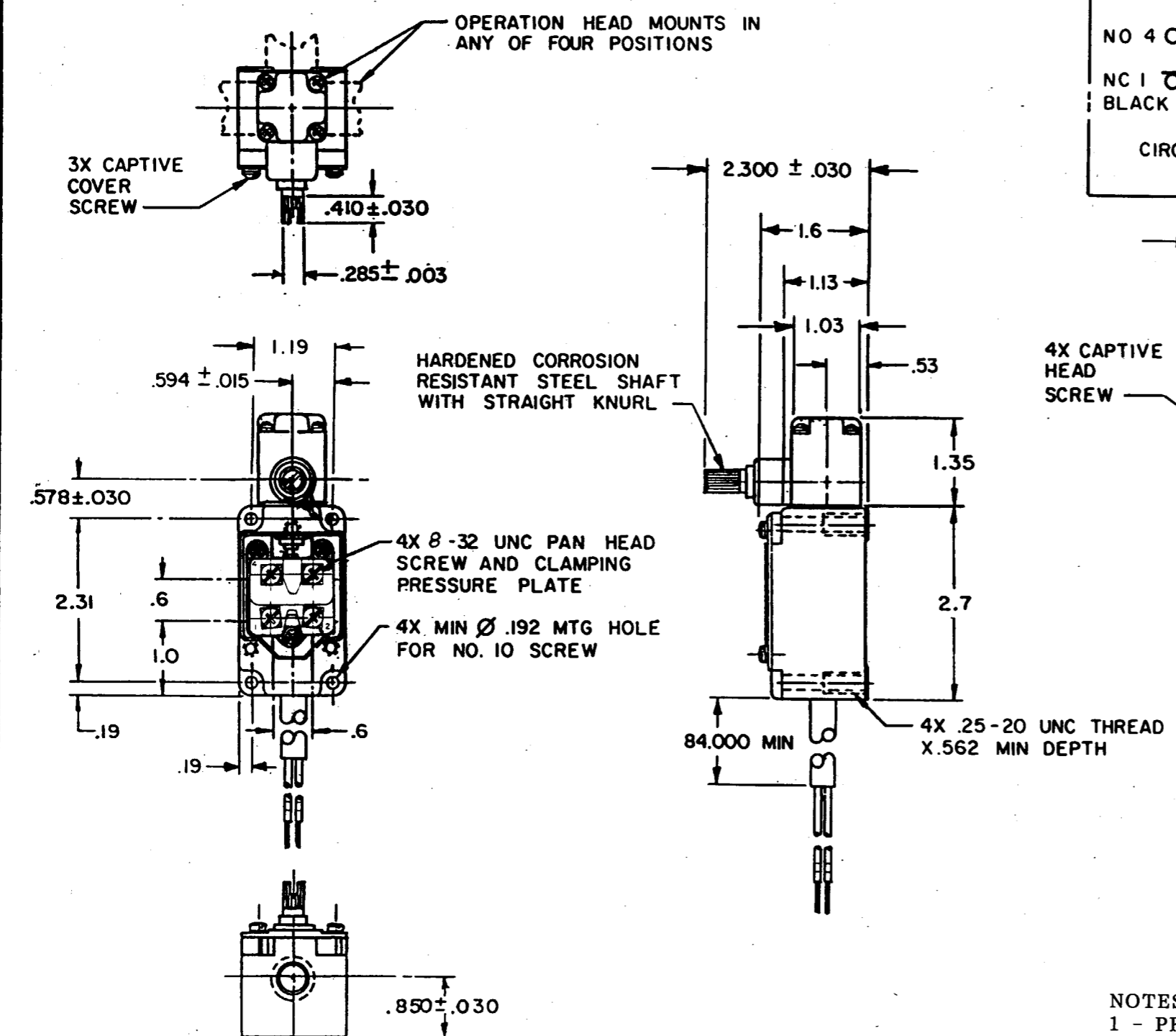
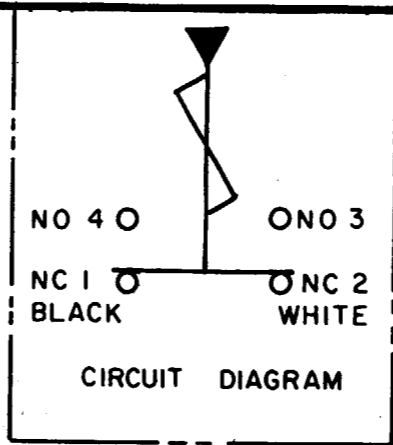
THIS DRAWING COVERS A PROPRIETARY ITEM AND IS THE PROPERTY OF MICRO SWITCH, A DIVISION OF HONEYWELL. THIS DRAWING IS NOT TO BE COPIED OR USED WITHOUT THE APPROVAL OF MICRO SWITCH		SCALE 1/2 TO 1
CHARACTERISTICS		DO NOT SCALE PRINT
OPERATING TORQUE ----- 3 IN LB MAX	ELECTRICAL DATA	UNLESS OTHERWISE SPECIFIED TOLERANCES ARE
	CONTACT ARRANGEMENT (SEE CIRCUIT DIAGRAM)	ONE PLACE (.0) \pm .030
	10A-120, 240, OR 480 VAC, 1/3 HP-120 VAC 3/4 HP-240 VAC; 0.8A-115 VDC; 0.4 A-230 VDC .1A-550 VDC	TWO PLACE (.00) \pm .015
	PILOT DUTY: 600 VAC MAX	THREE PLACE (.000) \pm .005
SWITCH-BASIC REPLACEMENT ----- 2MNI		ANGLES \pm
		THIRD ANGLE PROJECTION
		WEIGHT

MICRO SWITCH
 FREEPORT, ILLINOIS, U.S.A.
 A DIVISION OF HONEYWELL
 FED. MFG. CODE 91929

SWITCH-ENCLOSED

CATALOG LISTING
6LS2-7

6LS2-7
 M
 DRAWING NUMBER
 X 2
 ISSUE
 REVISIONS
 A CO-77031
 J B B
 22 DEC 93
 CHECK
 G-R7 20 SEP 90
 CHECK
 SAV 17 SEP 90
 DRAWN
 FO-52851-B



NOTES
 1 - PROVIDED WITH 16 GAGE, 2 CONDUCTOR TYPE SO CABLE

THIS DRAWING COVERS A PROPRIETARY ITEM AND IS THE PROPERTY OF MICRO SWITCH, A DIVISION OF HONEYWELL. THIS DRAWING IS NOT TO BE COPIED OR USED WITHOUT THE APPROVAL OF MICRO SWITCH		SCALE 1/2 TO 1
CHARACTERISTICS		DO NOT SCALE PRINT
OPERATING TORQUE ----- 3 IN LB MAX	ELECTRICAL DATA	UNLESS OTHERWISE SPECIFIED TOLERANCES ARE
	CONTACT ARRANGEMENT (SEE CIRCUIT DIAGRAM)	ONE PLACE (.0) $\pm .030$
	10A-120, 240, OR 480 VAC; 1/3 HP-120 VAC	TWO PLACE (.00) $\pm .015$
	3/4 HP-240 VAC; 0.8A-115 VDC; 0.4A-230 VDC	THREE PLACE (.000) $\pm .005$
	.1A-550 VDC	ANGLES \pm
	PILOT DUTY: 600 VAC MAX	THIRD ANGLE PROJECTION
SWITCH-BASIC REPLACEMENT ----- 2MNI		WEIGHT

X-ON Electronics

Largest Supplier of Electrical and Electronic Components

Click to view similar products for [Limit Switches](#) category:

Click to view products by [Honeywell](#) manufacturer:

Other Similar products are found below :

[6LS2-4PG](#) [5ML1-E1](#) [5ML31](#) [LZG1](#) [LZL1-6C](#) [622EN114-R](#) [622EN18-6](#) [622EN224-6B](#) [622EN230](#) [622EN237-R](#) [622EN69-3](#) [622EN85-RB](#)
[MA-10019](#) [6PA109](#) [7LS51](#) [83547001](#) [83725002](#) [83830001](#) [83840001](#) [83840701](#) [83841001](#) [83870104](#) [83881140](#) [8AS42](#) [8LS10](#) [8LS125-](#)
[4PG](#) [8LS152-4PGN20](#) [914CE16-3A](#) [914CE3-3L1](#) [915PA10](#) [91MCE16-P2O](#) [924CE16-Y3](#) [924CE1-S6](#) [924CE1-T25A](#) [924CE1-T3](#) [924CE1-](#)
[T9A](#) [924CE2-T9](#) [924CE31-Y20-X5](#) [924CE31-Y3L1](#) [GL-10054](#) [GL-85710](#) [GL-85714](#) [GLAB26J2B](#) [GLDB03C-6](#) [GLZ324](#) [PS21R-](#)
[NT11N7-YK0](#) [D4A-1106N](#) [D4A1201N](#) [D4A-3E02N](#) [D4A-4510N](#)