



(1,27 mm) .050"

FFSD, FFMD SERIES

FFSD-20-S-10.00-01-N



FFMD-20-T-02.00-01-N-R

TIGER EYE™ FLAT IDC WIRE CABLES

SPECIFICATIONS

Mates with:

FTS, FTSH, EHF, SHF, ESHF

For complete specifications see www.samtec.com?FFSD

FFSD

Insulator Material: PBT



Contact:

BeCu

Plating:

10µ" (0,25 µm) Au over 50µ" (1,27 µm) Ni on contact area; Sn over 50µ" (1,27 µm) Ni on balance

Wire: 30 AWG

Current Rating:

0.5A per contact
Operating Temp Range: -40°C to +105°C

Lead Size Accepted:

(0,41 mm) .016" SQ

Contact Resistance:

15 mΩ

Insertion Depth:

(2,64 mm) .104" to

(3,17 mm) .125"

Insertion Force:

(Single contact only)

5 oz (1,39 N) avg.

Withdrawal Force:

(Single contact only)

3 oz (0,83 N) avg.

RoHS Compliant: Yes

Note: This Series is non-standard, non-returnable.

SPECIFICATIONS

Mates with:

FLE*, SFMC*,

Transfer End Option

Mates with: FTS, FTSH, EHF, SHF, ESHF

For complete specifications see www.samtec.com?FFMD

FFMD

Insulator Material: Black Glass Filled Polyester



Terminal: Phosphor Bronze

Contact: BeCu (-T)

Plating:

Sn over 50µ" (1,27 µm) Ni

Wire: 30 AWG

Current Rating: 0.5A/contact

Operating Temp Range: -40°C to +105°C

RoHS Compliant: Yes

*Note: Standard FFMD callout will not mate with FLE, SFMC.

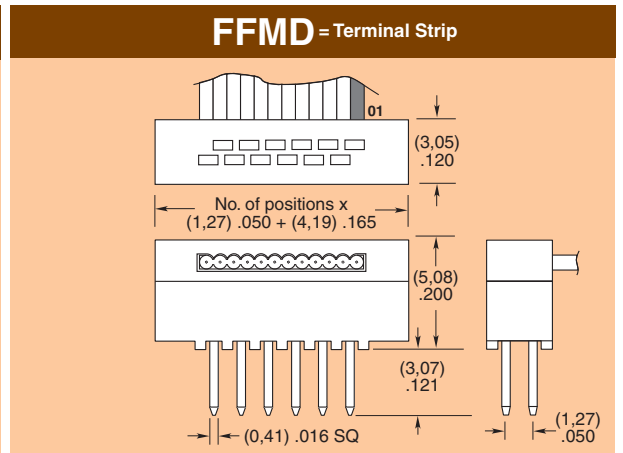
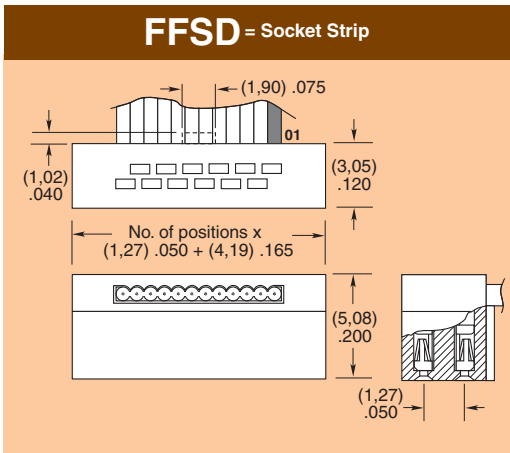
Must use gold plated callouts. (See drawing on web.)

When mated with a socket, Wire 1 mates with Pin 2;

Wire 2 mates with Pin 1, etc.

Note: This Series is non-standard, non-returnable.

TYPE STRIP	NO. PINS PER ROW	END OPTION	OVERALL LENGTH	01	OPTION	OTHER OPTION
	-06, -11, -12, 15 (FFSD only) -04, -05 -08, -10, -13, -17, -20, -25 (Call Samtec for other sizes)		-“XX.XX” = Assembled Length 		-N = Notch Polarization (FFSD only)	
		-S = Single End 				Leave blank for -S and -D End Options. For -T End Option Specify “-N” (Socket has notch polarization) (FFMD only)
		-D = Double End 				
		-T = Transfer End (FFMD only) 				
		-RW = Reverse Wiring 				
		-D “XX” = Daisy Chain 				
		-R = Reverse 				
		-M = Middle Reverse 				
		-O = Outside Reverse 				
		-SR = Strain Relief 				(Mates only with ESHF Series) No. of positions x (1,27) .050 + (8,00) .315 Not available with -O, -M, -R or -DXX



Due to technical progress, all designs, specifications and components are subject to change without notice.

WWW.SAMTEC.COM

X-ON Electronics

Largest Supplier of Electrical and Electronic Components

Click to view similar products for [D-Sub Micro-D Connectors](#) category:

Click to view products by [Samtec](#) manufacturer:

Other Similar products are found below :

[M243082311F](#) [M2430834F](#) [M24308/4-6F](#) [65-1920-15](#) [M83513/01-HN](#) [M83513/03-A10N](#) [M83513/03-B14C](#) [M83513/03-D09C](#) [M83513/03-D11N](#) [M83513/03-G02N](#) [M83513/03-G05N](#) [M83513/03-G08C](#) [M83513/03-G09N](#) [M83513/03-G12N](#) [M83513/03-H13N](#) [M83513/04-E15N](#) [M83513/04-G04C](#) [M83513/10-E01NP](#) [M83513/13-B01NP](#) [M83513/13-C01NN](#) [M83513/16-A01CP](#) [M83513/22-D01NP](#) [M83513/25-B01NP](#) [6R2004A30F015](#) [6R4006A28A120](#) [703006A13F060](#) [704002A03F200](#) [705001A13F120](#) [7-1532020-5](#) [748567-1-P](#) [MDB1-31SH003](#) [MDM-15PBS-L58](#) [MDM-15PCBRM7T](#) [MDM-15PH003B-A174](#) [75-068624-59S](#) [MDM-15PH034B](#) [MDM-15SH001L](#) [MDM-15SH004B](#) [MDM-21PH003K](#) [MDM-25PH003B-A174](#) [MDM-25PHW01F-A174](#) [MDM-37PH006L-A174](#) [MDM-37PH048M5-A174](#) [MDM-37SCBRP-A174](#) [MDM-51PBS-L56](#) [MDM-51PSF](#) [MDM-51SH003M7](#) [MDM-51SSM7-A174](#) [MDM-9PBSP-L58](#) [MDM-9PH003M7](#)