

MICRO SWITCH
a Honeywell Division

FED. MFG. CODE 91929

SWITCH — ENCLOSED

CATALOG LISTING
1EN42-R8

CATALOG LISTING
1EN42-R8

PAGE 1 OF 1

ISSUE
M
2

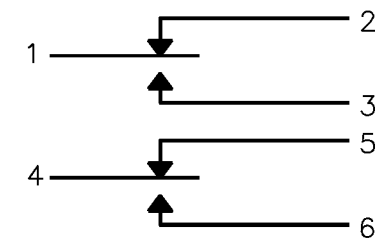
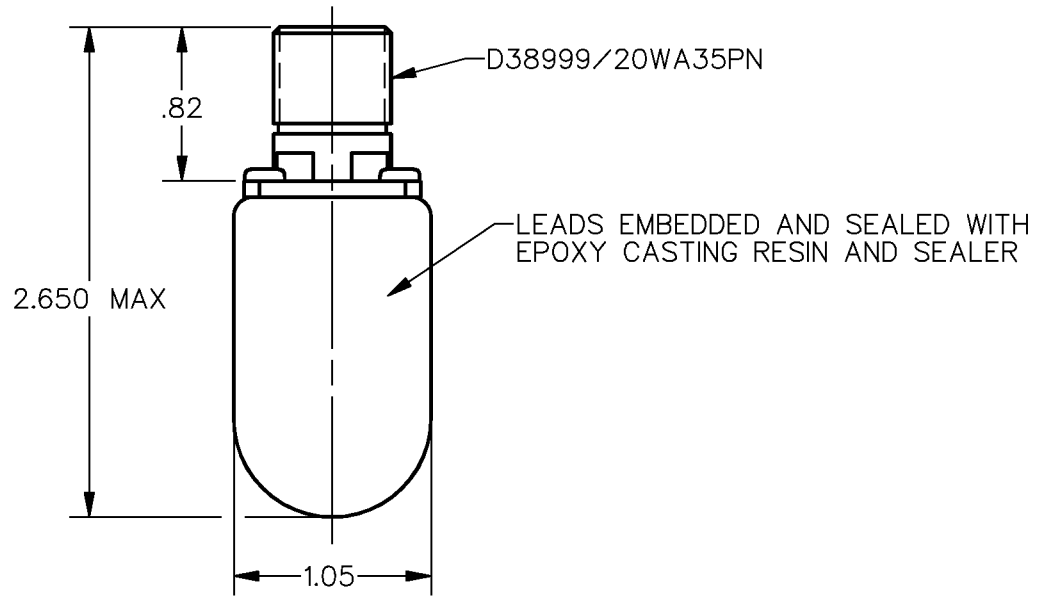
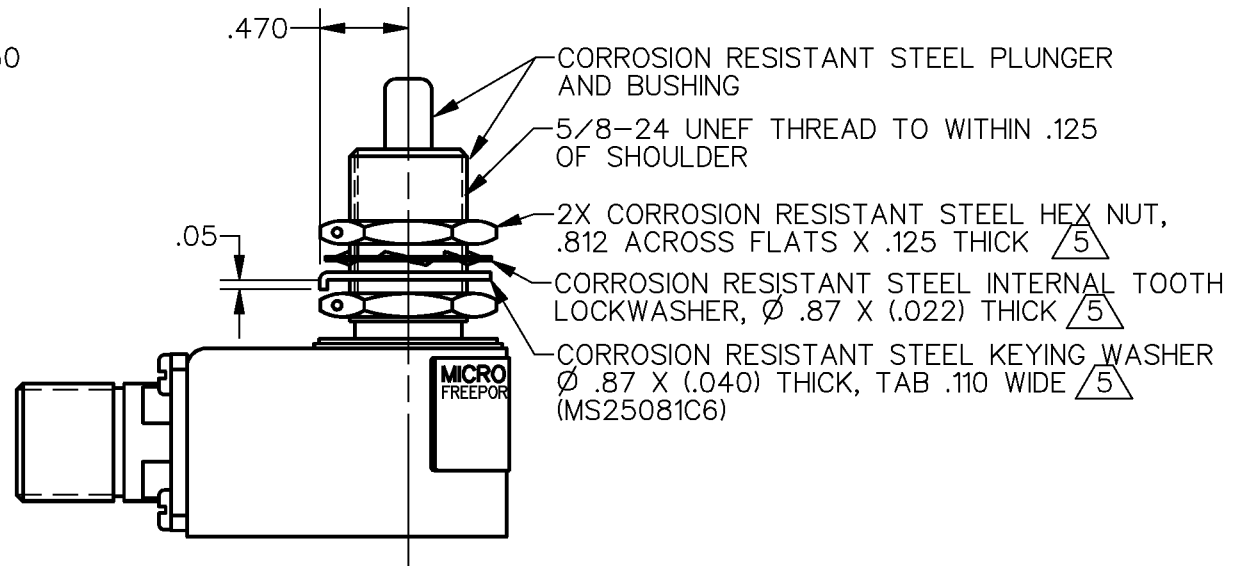
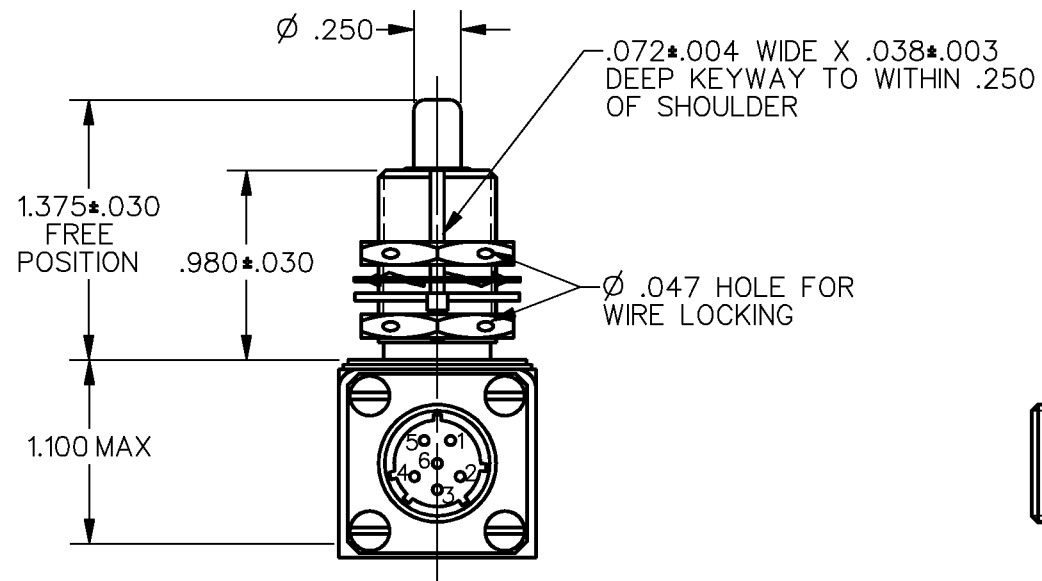
REVISIONS
A PR-22476
MAM
27 NOV 96

DDM/CAD
DRAWN
M A M 27NOV96

RELEASE NO. PR-22476 REPLACES

CHECK

CHECK



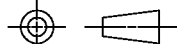
CIRCUIT DIAGRAM

NOTES

- 1 - CORROSION RESISTANT STEEL ENCLOSURE
- 2 - SWITCH SEALED PER MIL-S-8805 SYMBOL 4
- 3 - COINCIDENCE OF OPERATING AND RELEASING POINTS: $.010$ OF PLUNGER TRAVEL
- 4 - CIRCUIT DIAGRAM AND CATALOG LISTING ARE SHOWN ON NAMEPLATE
- $\triangle 5$ HARDWARE MAY BE PACKAGED UNASSEMBLED PER MIL-S-8805
- 6 - O-RING MATERIAL: SILICONE

THIS DRAWING COVERS A PROPRIETARY ITEM AND IS THE PROPERTY OF MICRO SWITCH, A DIVISION OF HONEYWELL. THIS DRAWING IS NOT TO BE COPIED OR USED WITHOUT THE APPROVAL OF MICRO SWITCH

THIRD ANGLE PROJECTION



CHARACTERISTICS	ELECTRICAL DATA		
OPERATING FORCE ——— 6-12 LB	CONTACT ARRANGEMENT 2X S P D T		
FULL OVERTRAVEL FORCE ——— 30 LB MAX			
RELEASE FORCE ——— 4 LB MIN	28 VDC		
PRETRAVEL ——— .040 MAX			
DIFFERENTIAL TRAVEL ——— .020 MAX	SEA LEVEL	50,000 FT.	
OVERTRAVEL ——— .250 MIN	RES	4	4
	IND	2	2
	MOTOR	4	

SCALE	FULL
DO NOT SCALE PRINT	
UNLESS OTHERWISE SPECIFIED TOLERANCES ARE	
ONE PLACE	(.0) $\pm .030$
TWO PLACE	(.00) $\pm .015$
THREE PLACE	(.000) $\pm .005$
ANGLES	\pm
WEIGHT	5.6 OZ MAX

ANSI Y14.5M-1982 APPLIES

X-ON Electronics

Largest Supplier of Electrical and Electronic Components

Click to view similar products for [Basic / Snap Action Switches](#) category:

Click to view products by [Honeywell](#) manufacturer:

Other Similar products are found below :

[83228001](#) [01.098.1358.1](#) [602EN1-6B](#) [602EN532](#) [602EN535-RB](#) [602HE5-RB1](#) [604HE162](#) [604HE223-6B](#) [624HE17-RB](#) [6HM89](#) [6PA78-JM](#)
[6SE1](#) [6SX1-H58](#) [70500840](#) [MBD5B1](#) [MBH2731](#) [73-316-0012](#) [79211759](#) [79211923](#) [79218589](#) [7AS12](#) [ML-1155](#) [ML-1376](#) [831010C3.0](#)
[831060C3.TL](#) [831090C2.EL](#) [83131904](#) [84212012](#) [8AS239](#) [8HM73-3](#) [903VB1-PG](#) [914CE1-6G](#) [PL-100](#) [11SM1077-H4](#) [11SM1077-H58](#)
[11SM1-TN107](#) [11SM405](#) [11SM703-T](#) [11SM8423-H2](#) [11SX37-T](#) [11SX48-H58](#) [11SX55-H58](#) [11SM2442-T](#) [11SM76-T](#) [11SM77-H58](#)
[11SM77-T](#) [11SM863-T](#) [11SM866](#) [11SX47-H58](#) [A7CN-1M-1-LEFT](#)