

**MICRO SWITCH**

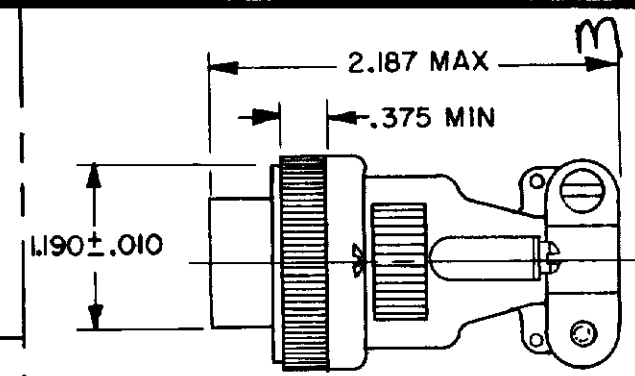
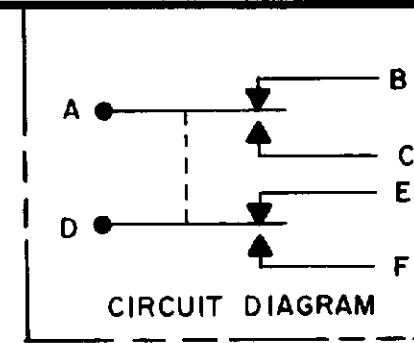
FREEPORT ILLINOIS U S A  
A DIVISION OF HONEYWELL

FED MFG CODE 91929

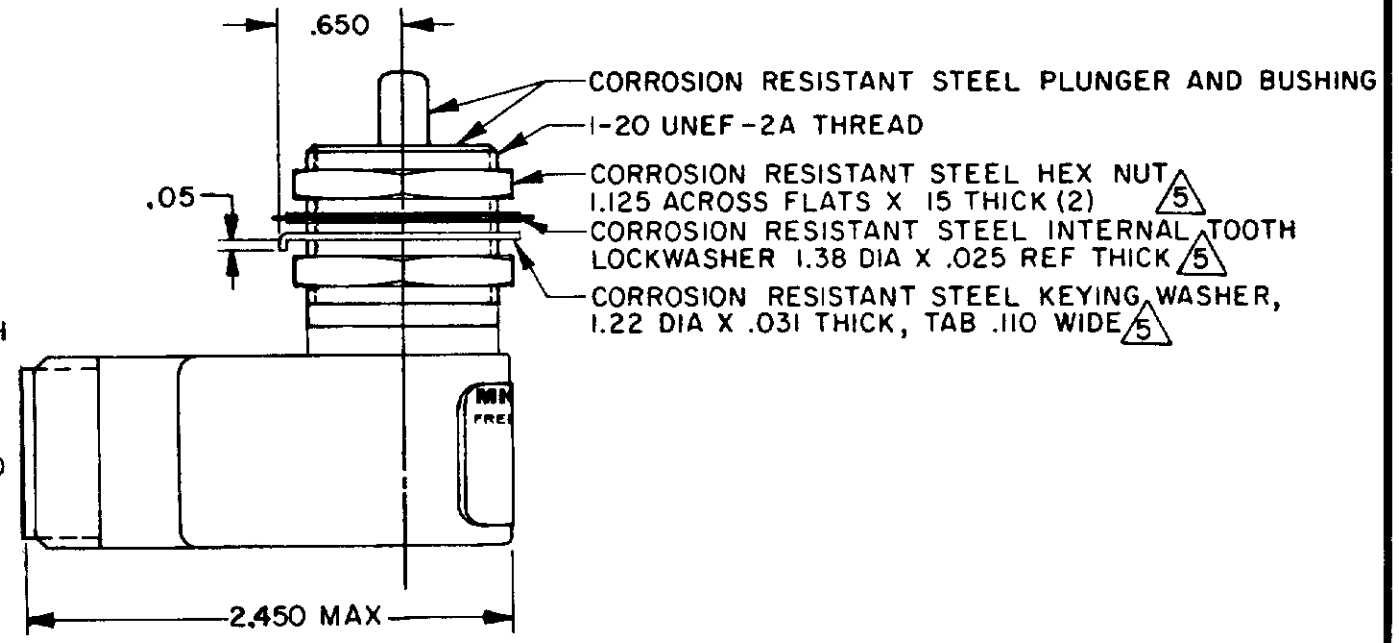
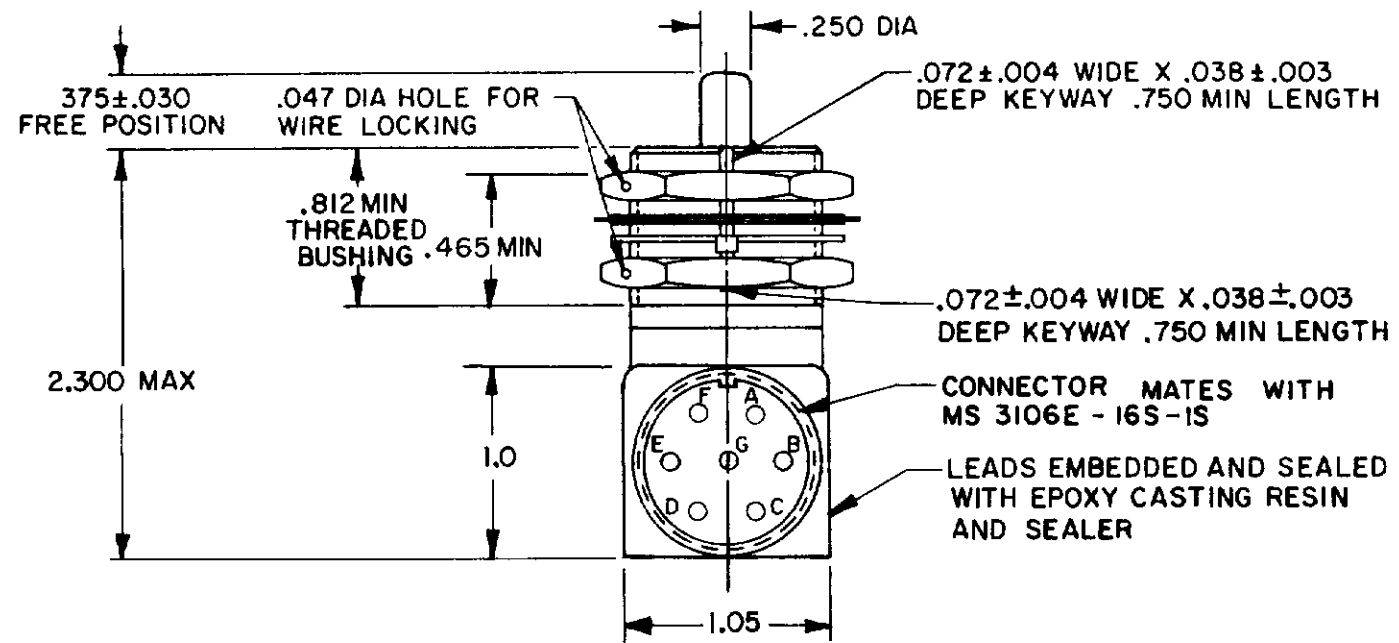
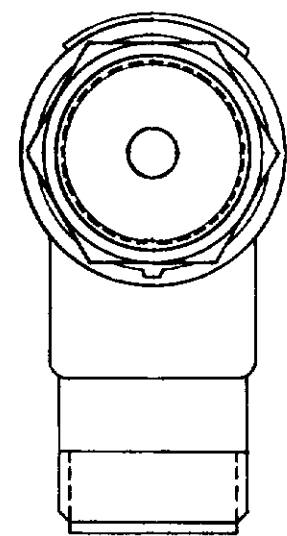
**SWITCH-ENCLOSED**

CATALOG LISTING

**1EN76-R1**



MATING CONNECTOR  
MS 3106E-16S-IS <sup>6</sup>



DRAWING NUMBER  
**1EN76-R1**  
PAGE 1 OF 1  
ISSUE  
**14**

REVISIONS

A	CO-44351	PART 7	27 MAR 79
B	CO-47488	R J H	20 MAR 80
C	CO-47573	J A P	5 AUG 80
D	CO-68547	S A V	15 OCT 90
E	CO-10758	J J O	22 JULY 91
F	CO73874	Y S M	5 DEC 92
G	CO85170	J A K	10 OCT 97

FORMTEK  
DRAWN  
T M M 27 MAR 79  
CHECK  
C E B 16 APR 79

THIS DRAWING COVERS A PROPRIETARY ITEM AND IS THE PROPERTY OF MICRO SWITCH, A DIVISION OF HONEYWELL. THIS DRAWING IS NOT TO BE COPIED OR USED WITHOUT THE APPROVAL OF MICRO SWITCH.		THIRD ANGLE PROJECTION	SCALE FULL
CHARACTERISTICS		ELECTRICAL DATA	DO NOT SCALE PRINT
OPERATING FORCE	6-12 LB	CONTACT ARRANGEMENT	TOLERANCES
FULL OVERTRAVEL FORCE	30 LB MAX	SPDT (2)	APPLY TO DESIGN UNITS CONVERSIONS ARE ONLY FOR REFERENCE UNLESS NOTED TOLERANCES ARE ±
RELEASE FORCE	4 LB MIN	LOAD	DIM TOL DIM TOL
PRETRAVEL	.040 MAX	28 VDC	mm mm/in in mm/in
DIFFERENTIAL TRAVEL	.020 MAX	SEA LEVEL 50,000 FT.	NO PLACES X 1/04
OVERTRAVEL	.250 MIN	RES 5	ONE PLACE X X 0 4/016 X X 0 8/03
		IND 3	TWO PLACES X X X 0 5/008 X X X 0 38/016
		MOTOR 4	THREE PLACES X X X 0 13/005
			ANGLES
			SI METRIC US CUSTOMARY
			DESIGN UNITS <input type="checkbox"/> <input checked="" type="checkbox"/>
			RAW MATERIAL-COMMERCIAL STANDARD
			MICRO SWITCH STANDARDS APPLY
			DIMENSIONS ARE TO BE MET BEFORE PROTECTIVE COATINGS ARE APPLIED
			WEIGHT

- NOTES
- CORROSION RESISTANT STEEL ENCLOSURE
  - SWITCH SEALED PER MIL-S-8805 SYMBOL 4
  - CIRCUIT DIAGRAM AND CATALOG LISTING ARE SHOWN ON NAMEPLATE
  - COINCIDENCE OF OPERATING AND RELEASING POINTS: .010 OF PLUNGER TRAVEL
- <sup>5</sup> HARDWARE MAY BE PACKAGED UNASSEMBLED PER MIL-S-8805
- <sup>6</sup> THIS CONNECTOR IS SUPPLIED WITH THE SWITCH

## X-ON Electronics

Largest Supplier of Electrical and Electronic Components

*Click to view similar products for [Basic / Snap Action Switches](#) category:*

*Click to view products by [Honeywell](#) manufacturer:*

Other Similar products are found below :

[83228001](#) [01.098.1358.1](#) [602EN1-6B](#) [602EN532](#) [602EN535-RB](#) [602HE5-RB1](#) [604HE162](#) [604HE223-6B](#) [624HE17-RB](#) [6HM89](#) [6PA78-JM](#)  
[6SE1](#) [6SX1-H58](#) [70500840](#) [MBD5B1](#) [MBH2731](#) [73-316-0012](#) [79211759](#) [79211923](#) [79218589](#) [7AS12](#) [ML-1155](#) [ML-1376](#) [831010C3.0](#)  
[831060C3.TL](#) [831090C2.EL](#) [83131904](#) [84212012](#) [8AS239](#) [8HM73-3](#) [903VB1-PG](#) [914CE1-6G](#) [PL-100](#) [11SM1077-H4](#) [11SM1077-H58](#)  
[11SM1-TN107](#) [11SM405](#) [11SM703-T](#) [11SM8423-H2](#) [11SX37-T](#) [11SX48-H58](#) [11SX55-H58](#) [11SM2442-T](#) [11SM76-T](#) [11SM77-H58](#)  
[11SM77-T](#) [11SM863-T](#) [11SM866](#) [11SX47-H58](#) [A7CN-1M-1-LEFT](#)