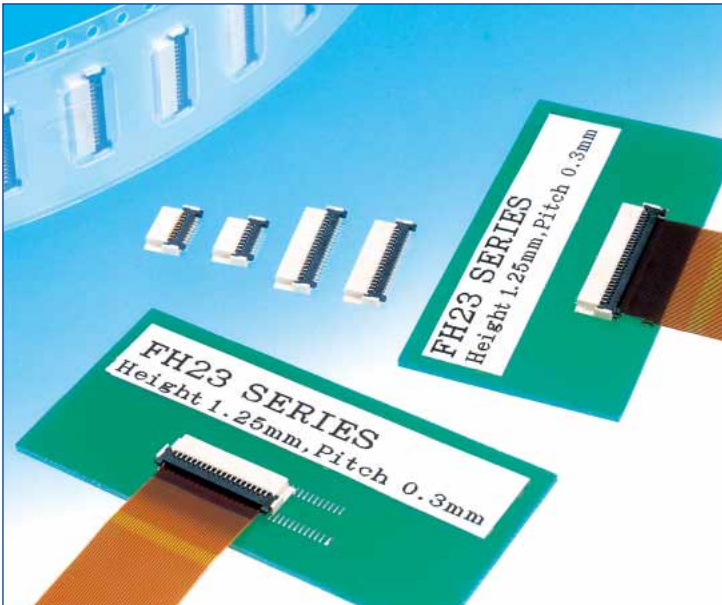
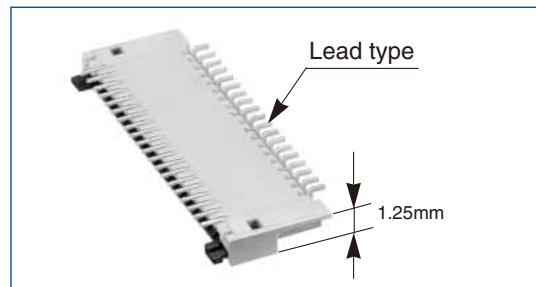
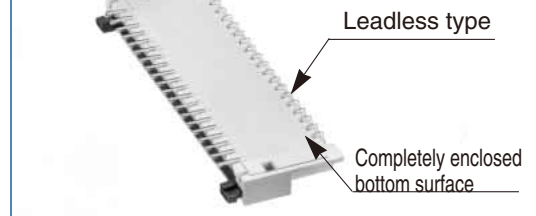


0.3mm Contact Pitch, 1.25mm above the board, Flexible Printed Circuit Connectors

FH 23 Series



● Staggered termination configuration. Only 1.25 mm above the board.



Features

1. FPC low insertion force and high holding force

Hirose Electric's unique low insertion force (LIF) design (patents pending) improves the Flexible Printed Circuit (FPC) holding force after insertion.

2. Temporary hold of FPC

There is no need to hold the FPC after insertion in the connector. The connector will hold it in correct position, allowing closing of the actuator.

3. Easy board mounting

The surface mounted termination of the contacts is staggered on 0.6 mm centers, positioned on front and back of the connector.

Bottom of the connector is completely insulated, allowing conductive traces on PCB to run under the connector.

4. Proven Flip-lock Actuator assures easy and reliable operation

Rotating actuator permits easy insertion and reliable connection with the FPC. Tactile sensation confirms complete mechanical locking of the actuator and the electrical connection.

5. Variations to suit different mounting areas

Available with lead and leadless type of terminations (for opposing FPC insertion side).

6. Designed for placement with automatic equipment

Flat top surface allows pick-up with vacuum nozzles.

Packaged in embossed tape, on reel. One reel contains 2,500 pieces.

7. Accepts 0.2mm thick FPC

8. Variety of contact positions

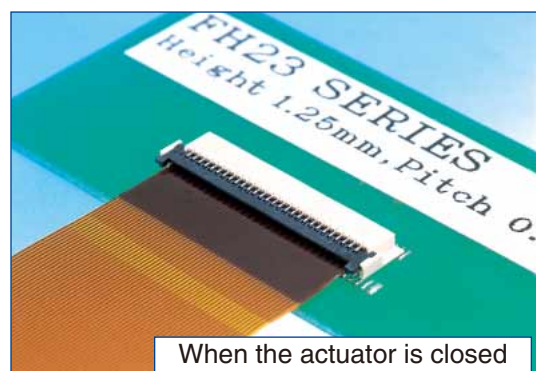
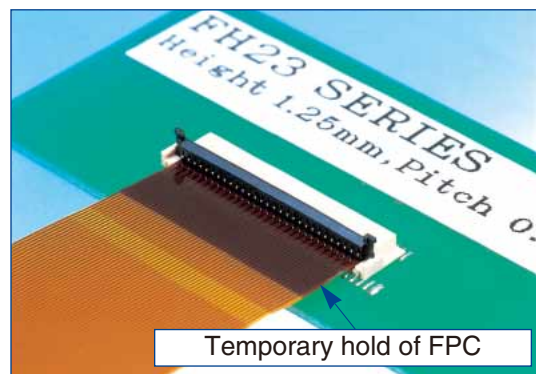
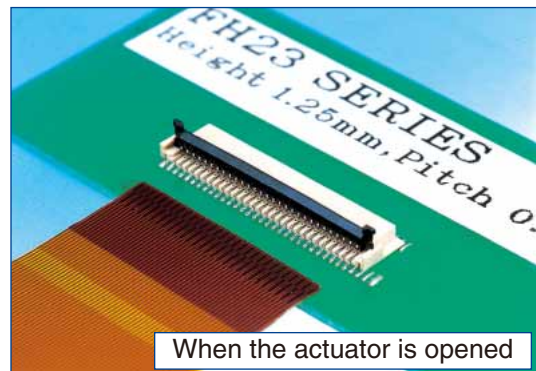
Available with 15, 17, 21, 23, 25, 27, 31, 33, 37, 39, 45, 51, 61 and 71 pos.

9. Halogen Free

The connector does not use chlorine and bromine exceeding standard limits.

*Defined in accordance with IEC61249-2-21

Br 900ppm or lower, Cl 900ppm or lower, Br + Cl 1,500ppm or lower



Product Specifications

| | | | | |
|---------|----------------|--------|---|--|
| Ratings | Current rating | 0.3A | Operating temperature range -55 °C to +85°C (Note 1) Operating humidity range Relative humidity 90% max. (No condensation) | Storage temperature range -10°C to +50°C (Note 2) Storage humidity range Relative humidity 90% max. (No condensation) |
| | Voltage rating | 30V AC | | |

| | |
|-----------------|-------------------------------------|
| Recommended FPC | Thickness: = 0.2±0.03mm Gold plated |
|-----------------|-------------------------------------|

| Item | Specification | Conditions |
|---|---|---|
| 1. Insulation resistance | 50 M ohms min. | 100 V DC |
| 2. Withstanding voltage | No flashover or insulation breakdown | 90 V AC/one minute |
| 3. Contact resistance | 100 m ohms max. *Including FPC/FFC conductor resistance | 1 mA AC |
| 4. Durability (insertion / withdrawal) | Contact resistance: 100 m ohms max. No damage, cracks, or parts dislocation. | 10 cycles |
| 5. Vibration | No electrical discontinuity of 1 μs or more. Contact resistance: 100 m ohms max. No damage, cracks, or parts dislocation. | Frequency: 10 to 55 Hz, single amplitude of 0.75 mm, 10 cycles, 3 axis. |
| 6. Shock | No electrical discontinuity of 1 μs or more. Contact resistance: 100 m ohms max. No damage, cracks, or parts dislocation. | Acceleration of 981 m/s ² , 6ms duration, sine half-wave waveform, 3 cycles, 3 axis. |
| 7. Humidity (Steady state) | Contact resistance: 100 m ohms max. Insulation resistance: 50 M ohms min. No damage, cracks, or parts dislocation. | 96 hours at 40°C and humidity of 90% to 95% |
| 8. Temperature cycle | Contact resistance: 100 m ohms max. Insulation resistance: 50 M ohms min. No damage, cracks, or parts dislocation. | Temperature:-55°C→+15°C to +35°C→+85°C→+15°C to +35°C Time: 30→ 2 to 3 → 30 → 2 to 3 (Minutes) 5 cycles |
| 9. Resistance to soldering heat | No deformation of components affecting performance. | Reflow: At the recommended temperature profile Manual soldering: 350 °C±5 °C for 5 seconds |

Note 1: Includes temperature rise caused by current flow.

Note 2: The term "storage" refers to products stored for long period of time prior to mounting and use. Operating Temperature Range and Humidity range covers non-conducting condition of installed connectors in storage, shipment or during transportation.

Materials

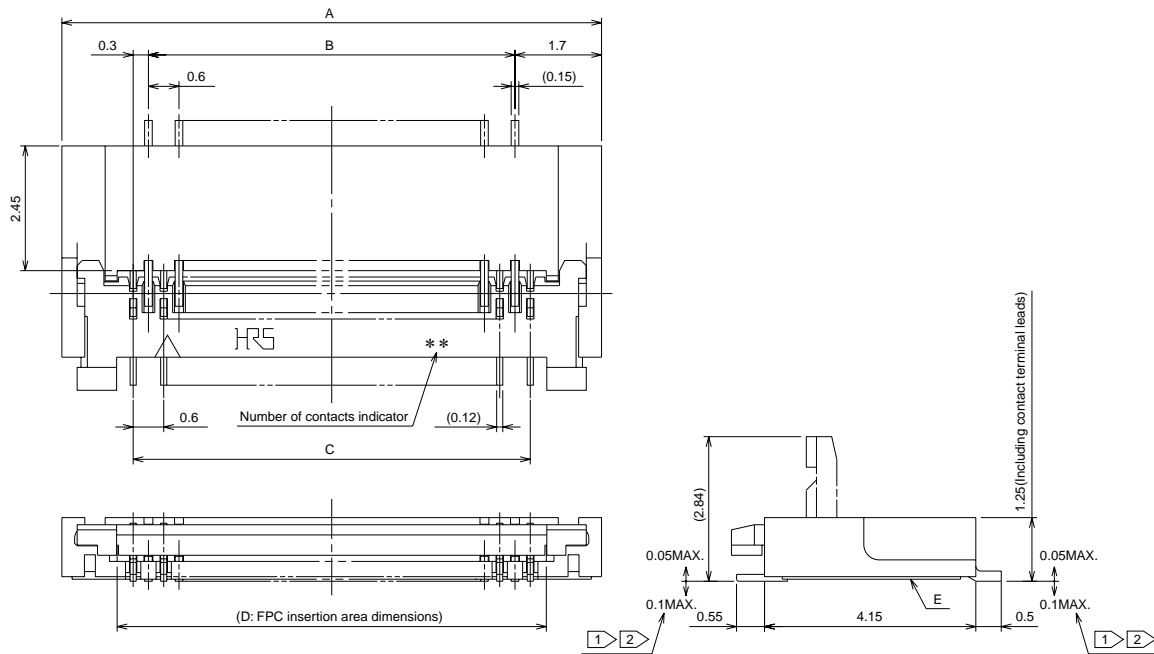
| Part | Material | Finish | Remarks |
|-----------|-----------------|--------------|---------|
| Insulator | LCP | Color: Beige | UL94V-0 |
| Actuator | LCP | Color: Black | |
| Contacts | Phosphor bronze | Gold plated | _____ |

Ordering information

FH 23 - 39S - 0.3 SHW (05)
1 2 3 4 5 6

| | |
|---|--|
| <p>① Series name : FH</p> <p>② Series No : 23</p> <p>③ Number of contacts : 15 to 71</p> <p>④ Contact pitch: 0.3mm</p> <p>⑤ Terminal type SHW: SMT horizontal mounting type, lead type termination. SHAW: SMT horizontal mounting type, lead-less type termination.</p> | <p>⑥ Plating specifications :</p> <p>(05) : Gold plated (All contact positions except 51 contacts)</p> <p>(06) : Gold plated (51 contacts)</p> |
|---|--|

Connector Dimensions (Lead Type termination)



- Notes
- 1 The coplanarity of each terminal lead is within 0.1.
 - 2 The contact terminal lead position indicates the dimension from the E surface, the bottom surface of the insulator body.
 - 3 Any discoloration of the plastic compound will NOT AFFECT form, fit or function of the connector.
 - 4 Packaged on tape and reel only. Check packaging specification.

Lead Type

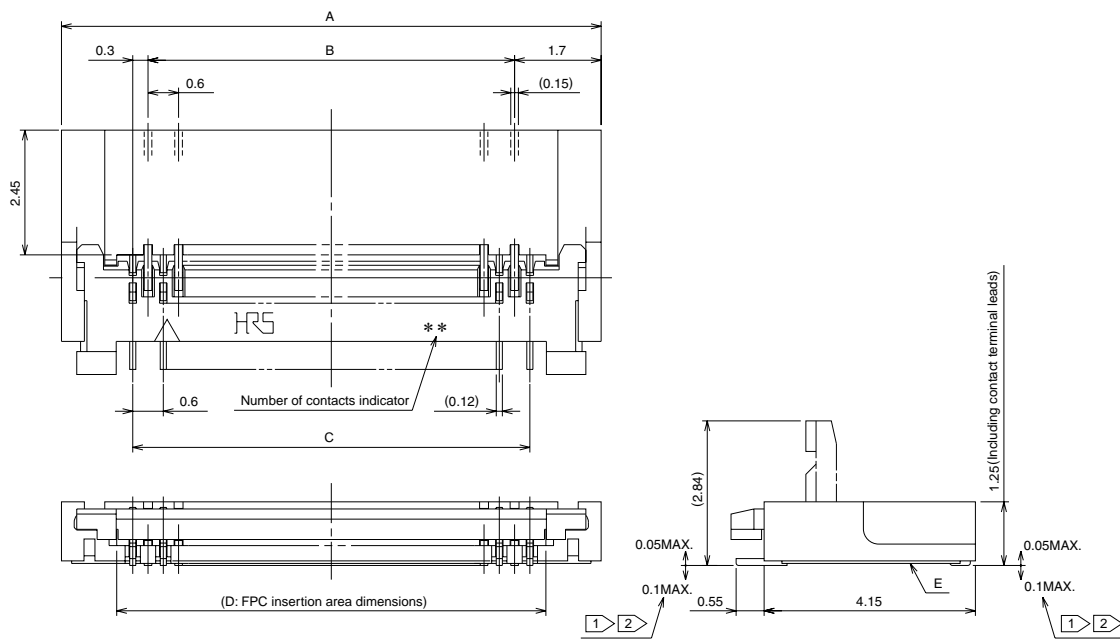
Unit: mm

| Part Number | CL No. | Number of Contacts | A | B | C | D |
|---------------------|---------------|--------------------|------|------|------|-------|
| FH23-15S-0.3SHW(05) | 586-1317-0-05 | 15 | 7 | 3.6 | 4.2 | 4.83 |
| FH23-17S-0.3SHW(05) | 586-1300-7-05 | 17 | 7.6 | 4.2 | 4.8 | 5.43 |
| FH23-21S-0.3SHW(05) | 586-1314-1-05 | 21 | 8.8 | 5.4 | 6 | 6.63 |
| FH23-23S-0.3SHW(05) | 586-1324-5-05 | 23 | 9.4 | 6 | 6.6 | 7.23 |
| FH23-25S-0.3SHW(05) | 586-1322-0-05 | 25 | 10 | 6.6 | 7.2 | 7.83 |
| FH23-27S-0.3SHW(05) | 586-1308-9-05 | 27 | 10.6 | 7.2 | 7.8 | 8.43 |
| FH23-31S-0.3SHW(05) | 586-1302-2-05 | 31 | 11.8 | 8.4 | 9 | 9.63 |
| FH23-33S-0.3SHW(05) | 586-1304-8-05 | 33 | 12.4 | 9 | 9.6 | 10.23 |
| FH23-37S-0.3SHW(05) | 586-1335-1-05 | 37 | 13.6 | 10.2 | 10.8 | 11.43 |
| FH23-39S-0.3SHW(05) | 586-1306-3-05 | 39 | 14.2 | 10.8 | 11.4 | 12.03 |
| FH23-45S-0.3SHW(05) | 586-1318-2-05 | 45 | 16 | 12.6 | 13.2 | 13.83 |
| FH23-51S-0.3SHW(06) | 586-1312-6-06 | 51 | 17.8 | 14.4 | 15 | 15.63 |
| FH23-61S-0.3SHW(05) | 586-1310-0-05 | 61 | 20.8 | 17.4 | 18 | 18.63 |
| FH23-71S-0.3SHW(05) | 586-1320-4-05 | 71 | 23.8 | 20.4 | 21 | 21.63 |

Note1: Embossed tape reel packaging(2,500 pieces/reel)
Order by number of reels.

Note2: The specification of (06) is applied to number of 51.
Refer to ordering information.

■Connector Dimensions Diagram (Leadless Type termination)



- Notes
- ① The coplanarity of each terminal lead is within 0.1.
 - ② The contact terminal lead position indicates the dimension from the E surface, the bottom surface of the insulator body.
 - 3 Any discoloration of the plastic compound will NOT AFFECT form, fit or function of the connector.
 - 4 Packaged on tape and reel only. Check packaging specification.

Leadless Type

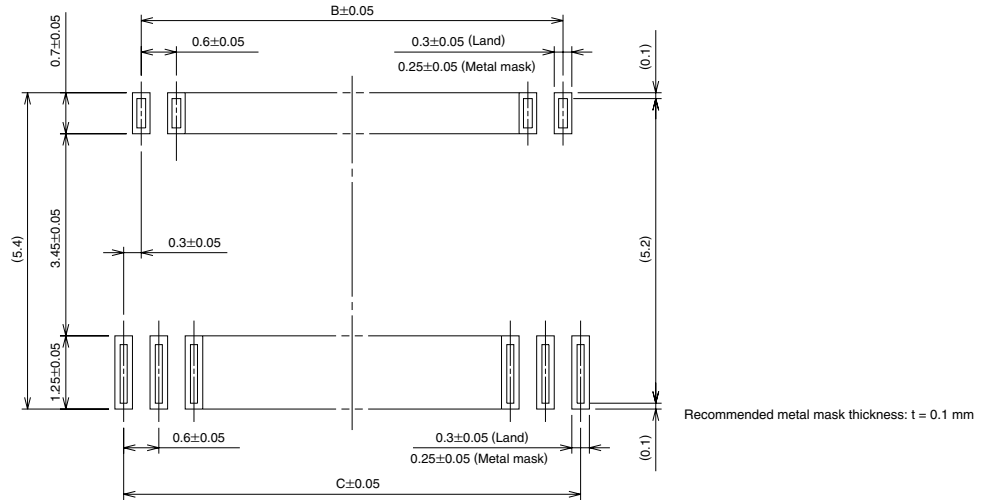
Unit: mm

| Part Number | CL No. | Number of Contacts | A | B | C | D |
|----------------------|---------------|--------------------|------|------|------|-------|
| FH23-15S-0.3SHAW(05) | 586-1316-7-05 | 15 | 7 | 3.6 | 4.2 | 4.83 |
| FH23-17S-0.3SHAW(05) | 586-1301-0-05 | 17 | 7.6 | 4.2 | 4.8 | 5.43 |
| FH23-21S-0.3SHAW(05) | 586-1315-4-05 | 21 | 8.8 | 5.4 | 6 | 6.63 |
| FH23-23S-0.3SHAW(05) | 586-1325-8-05 | 23 | 9.4 | 6 | 6.6 | 7.23 |
| FH23-25S-0.3SHAW(05) | 586-1323-2-05 | 25 | 10 | 6.6 | 7.2 | 7.83 |
| FH23-27S-0.3SHAW(05) | 586-1309-1-05 | 27 | 10.6 | 7.2 | 7.8 | 8.43 |
| FH23-31S-0.3SHAW(05) | 586-1303-5-05 | 31 | 11.8 | 8.4 | 9 | 9.63 |
| FH23-33S-0.3SHAW(05) | 586-1305-0-05 | 33 | 12.4 | 9 | 9.6 | 10.23 |
| FH23-39S-0.3SHAW(05) | 586-1307-6-05 | 39 | 14.2 | 10.8 | 11.4 | 12.03 |
| FH23-45S-0.3SHAW(05) | 586-1319-5-05 | 45 | 16 | 12.6 | 13.2 | 13.83 |
| FH23-51S-0.3SHAW(06) | 586-1313-9-06 | 51 | 17.8 | 14.4 | 15 | 15.63 |
| FH23-61S-0.3SHAW(05) | 586-1311-3-05 | 61 | 20.8 | 17.4 | 18 | 18.63 |
| FH23-71S-0.3SHAW(05) | 586-1321-7-05 | 71 | 23.8 | 20.4 | 21 | 21.63 |

Note1: Embossed tape reel packaging(2,500 pieces/reel)
Order by number of reels.

Note2: The specification of (06) is applied to number of 51.
Refer to ordering information.

Recommended PCB Land and Metal Mask Dimensions (Lead Type)



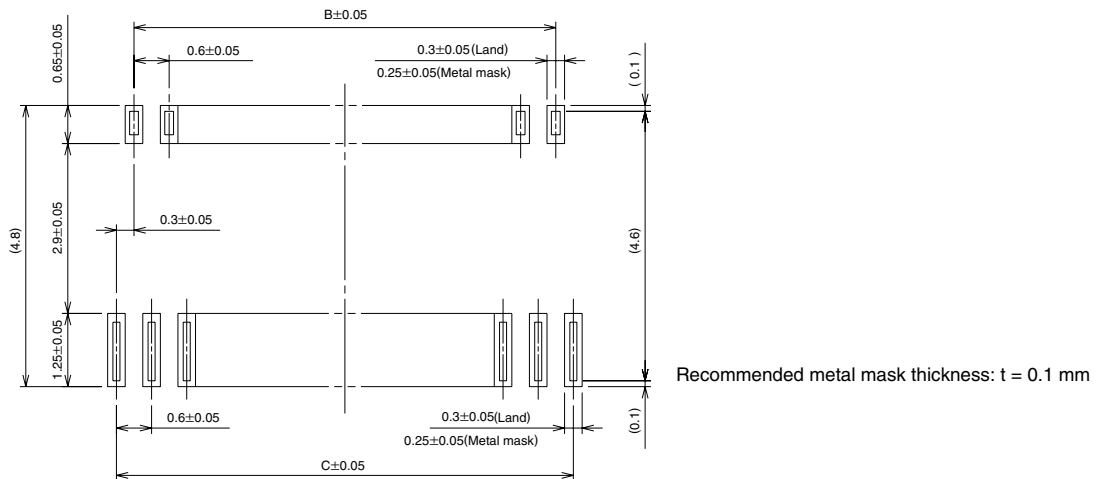
Lead Type

Unit: mm

| Part Number | CL No. | Number of Contacts | B | C | G |
|---------------------|---------------|--------------------|-----|-----|-----|
| FH23-15S-0.3SHW(05) | 586-1317-0-05 | 15 | 3.6 | 4.2 | 4.8 |
| FH23-17S-0.3SHW(05) | 586-1300-7-05 | 17 | 4.2 | 4.8 | 5.4 |
| FH23-21S-0.3SHW(05) | 586-1314-1-05 | 21 | 5.4 | 6 | 6.6 |
| FH23-23S-0.3SHW(05) | 586-1324-5-05 | 23 | 6 | 6.6 | 7.2 |
| FH23-25S-0.3SHW(05) | 586-1322-0-05 | 25 | 6.6 | 7.2 | 7.8 |
| FH23-27S-0.3SHW(05) | 586-1308-9-05 | 27 | 7.2 | 7.8 | 8.4 |
| FH23-31S-0.3SHW(05) | 586-1302-2-05 | 31 | 8.4 | 9 | 9.6 |

| Part Number | CL No. | Number of Contacts | B | C | G |
|---------------------|---------------|--------------------|------|------|------|
| FH23-33S-0.3SHW(05) | 586-1304-8-05 | 33 | 9 | 9.6 | 10.2 |
| FH23-37S-0.3SHW(05) | 586-1335-1-05 | 37 | 10.2 | 10.8 | 11.4 |
| FH23-39S-0.3SHW(05) | 586-1306-3-05 | 39 | 10.8 | 11.4 | 12 |
| FH23-45S-0.3SHW(05) | 586-1318-2-05 | 45 | 12.6 | 13.2 | 13.8 |
| FH23-51S-0.3SHW(06) | 586-1312-6-06 | 51 | 14.4 | 15 | 15.6 |
| FH23-61S-0.3SHW(05) | 586-1310-0-05 | 61 | 17.4 | 18 | 18.6 |
| FH23-71S-0.3SHW(05) | 586-1320-4-05 | 71 | 20.4 | 21 | 21.6 |

Recommended Land and Metal Mask Dimensions (Leadless Type)



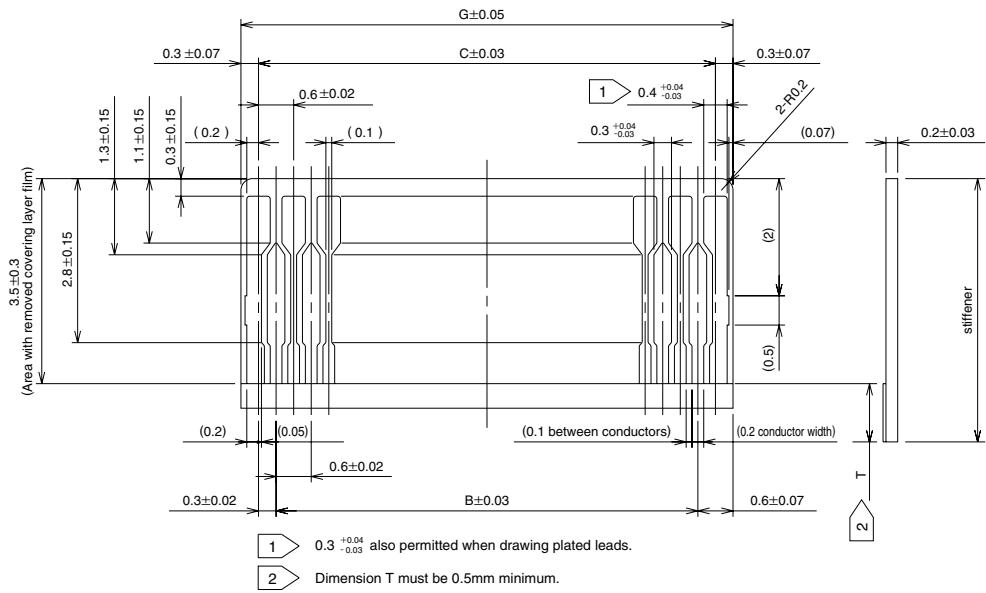
Leadless Type

Unit: mm

| Part Number | CL No. | Number of Contacts | B | C | G |
|----------------------|---------------|--------------------|-----|-----|-----|
| FH23-15S-0.3SHAW(05) | 586-1316-7-05 | 15 | 3.6 | 4.2 | 4.8 |
| FH23-17S-0.3SHAW(05) | 586-1301-0-05 | 17 | 4.2 | 4.8 | 5.4 |
| FH23-21S-0.3SHAW(05) | 586-1315-4-05 | 21 | 5.4 | 6 | 6.6 |
| FH23-23S-0.3SHAW(05) | 586-1325-8-05 | 23 | 6 | 6.6 | 7.2 |
| FH23-25S-0.3SHAW(05) | 586-1323-2-05 | 25 | 6.6 | 7.2 | 7.8 |
| FH23-27S-0.3SHAW(05) | 586-1309-1-05 | 27 | 7.2 | 7.8 | 8.4 |
| FH23-31S-0.3SHAW(05) | 586-1303-5-05 | 31 | 8.4 | 9 | 9.6 |

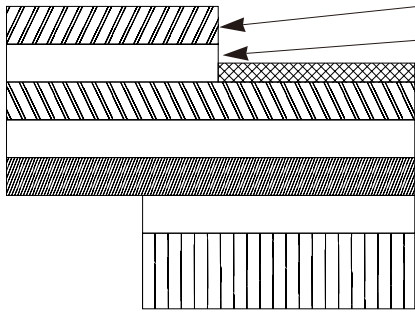
| Part Number | CL No. | Number of Contacts | B | C | G |
|----------------------|---------------|--------------------|------|------|------|
| FH23-33S-0.3SHAW(05) | 586-1305-0-05 | 33 | 9 | 9.6 | 10.2 |
| FH23-39S-0.3SHAW(05) | 586-1307-6-05 | 39 | 10.8 | 11.4 | 12 |
| FH23-45S-0.3SHAW(05) | 586-1319-5-05 | 45 | 12.6 | 13.2 | 13.8 |
| FH23-51S-0.3SHAW(06) | 586-1313-9-06 | 51 | 14.4 | 15 | 15.6 |
| FH23-61S-0.3SHAW(05) | 586-1311-3-05 | 61 | 17.4 | 18 | 18.6 |
| FH23-71S-0.3SHAW(05) | 586-1321-7-05 | 71 | 20.4 | 21 | 21.6 |

Recommended FPC Dimensions



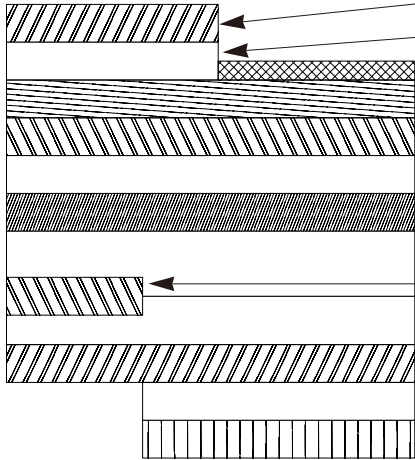
FH23 Series FPC Construction (Recommended Specifications)

1. Using Single-sided FPC



| Material Name | Material | Thickness (μm) |
|---------------------------------|--|----------------|
| Covering film layer. | Polyimide 1 mil thick. | (25) |
| Cover adhesive | | (25) |
| Surface treatment | Nickel under plated 1 to 5μm / Gold plated 0.2μm | 3 |
| Copper foil | Cu 1oz | 35 |
| Base adhesive | Heat-hardened adhesive | 25 |
| Base film | Polyimide 1 mil thick | 25 |
| Reinforcement material adhesive | Heat-hardened adhesive | 30 |
| Stiffener | Polyimide 3 mil thick | 75 |
| Total | | 193 |

2. Using Double-sided FPC



| Material Name | Material | Thickness (μm) |
|---------------------------------|--|----------------|
| Covering layer film | Polyimide 1 mil thick | (25) |
| Cover adhesive | | (25) |
| Surface treatment | Nickel under plated 1 to 5μm / Gold plated 0.2μm | 3 |
| Through-hole copper | Cu | 15 |
| Copper foil | Cu 1/2oz | 18 |
| Base adhesive | Heat-hardened adhesive | 18 |
| Base film | Polyimide 1 mil thick | 25 |
| Base adhesive | Heat-hardened adhesive | 18 |
| Copper foil | Cu 1/2oz | (18) |
| Cover adhesive | Heat-hardened adhesive | 25 |
| Covering layer film | Polyimide 1 mil thick | 25 |
| Reinforcement material adhesive | Heat-hardened adhesive | 25 |
| Stiffener | Polyimide 1 mil thick | 25 |
| Total | | 197 |

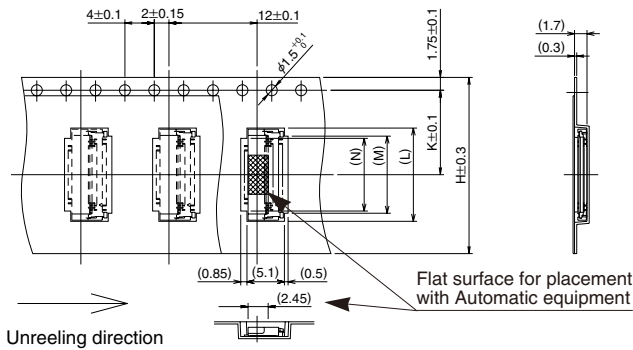
Note : Recommended specification for FPC 0.2±0.03 mm thick.

3. Precautions

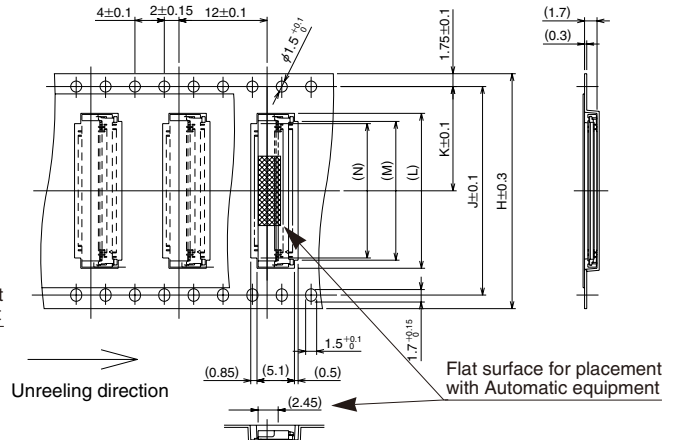
1. This specification is a recommendation for the construction of the FH23 Series FPC (t=0.2±0.03).
2. For details about the construction, please contact the FPC manufacturers.

■ Packaging Specification

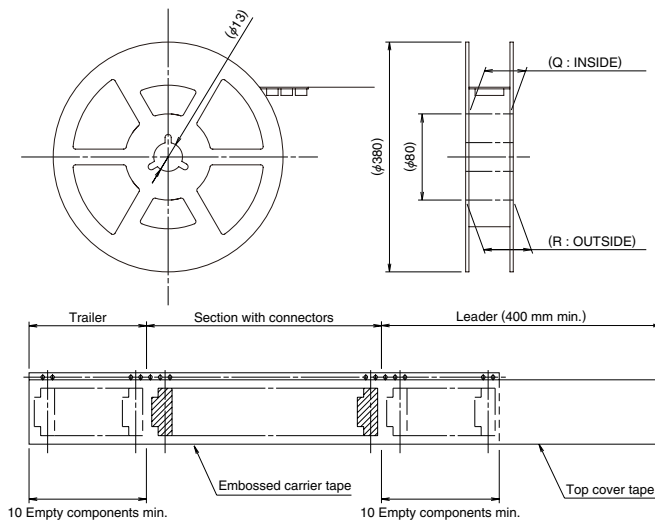
● Embossed Carrier Tape Dimensions (Tape width of 24 mm max.)



● Embossed Carrier Tape Dimensions (Tape width of 32 mm min.)



● Reel Dimensions

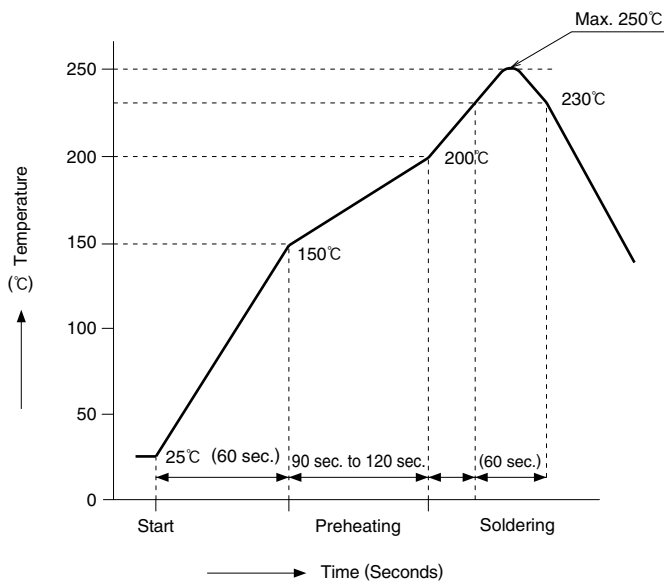


Unit: mm

| Part Number | CL No. | Number of Contacts | H | J | K | L | M | N | Q | R |
|---------------------|---------------|--------------------|----|------|------|------|------|------|------|------|
| FH23-15S-0.3SHW(05) | 586-1317-0-05 | 15 | 16 | — | 7.5 | 7.3 | 5.1 | 4.5 | 17.4 | 21.4 |
| FH23-17S-0.3SHW(05) | 586-1300-7-05 | 17 | 16 | — | 7.5 | 7.9 | 5.7 | 5.1 | 17.4 | 21.4 |
| FH23-21S-0.3SHW(05) | 586-1314-1-05 | 21 | 16 | — | 7.5 | 9.1 | 6.9 | 6.3 | 17.4 | 21.4 |
| FH23-23S-0.3SHW(05) | 586-1324-5-05 | 23 | 24 | — | 11.5 | 9.7 | 7.5 | 6.9 | 25.4 | 29.4 |
| FH23-25S-0.3SHW(05) | 586-1322-0-05 | 25 | 24 | — | 11.5 | 10.3 | 8.1 | 7.5 | 25.4 | 29.4 |
| FH23-27S-0.3SHW(05) | 586-1308-9-05 | 27 | 24 | — | 11.5 | 10.9 | 8.7 | 8.1 | 25.4 | 29.4 |
| FH23-31S-0.3SHW(05) | 586-1302-2-05 | 31 | 24 | — | 11.5 | 12.1 | 9.9 | 9.3 | 25.4 | 29.4 |
| FH23-33S-0.3SHW(05) | 586-1304-8-05 | 33 | 24 | — | 11.5 | 12.7 | 10.5 | 9.9 | 25.4 | 29.4 |
| FH23-37S-0.3SHW(05) | 586-1335-1-05 | 37 | 24 | — | 11.5 | 13.9 | 11.7 | 11.1 | 25.4 | 29.4 |
| FH23-39S-0.3SHW(05) | 586-1306-3-05 | 39 | 24 | — | 11.5 | 14.5 | 12.3 | 11.7 | 25.4 | 29.4 |
| FH23-45S-0.3SHW(05) | 586-1318-2-05 | 45 | 24 | — | 11.5 | 16.3 | 14.1 | 13.5 | 25.4 | 29.4 |
| FH23-51S-0.3SHW(06) | 586-1312-6-06 | 51 | 32 | 28.4 | 14.2 | 18.1 | 15.9 | 15.3 | 33.4 | 37.4 |
| FH23-61S-0.3SHW(05) | 586-1310-0-05 | 61 | 32 | 28.4 | 14.2 | 21.1 | 18.9 | 18.3 | 33.4 | 37.4 |
| FH23-71S-0.3SHW(05) | 586-1320-4-05 | 71 | 44 | 40.4 | 20.2 | 24.1 | 21.9 | 21.3 | 45.4 | 49.4 |

| Part Number | CL No. | Number of Contacts | H | J | K | L | M | N | Q | R |
|----------------------|---------------|--------------------|----|------|------|------|------|------|------|------|
| FH23-15S-0.3SHAW(05) | 586-1316-7-05 | 15 | 16 | — | 7.5 | 7.3 | 5.1 | 4.5 | 17.4 | 21.4 |
| FH23-17S-0.3SHAW(05) | 586-1301-0-05 | 17 | 16 | — | 7.5 | 7.9 | 5.7 | 5.1 | 17.4 | 21.4 |
| FH23-21S-0.3SHAW(05) | 586-1315-4-05 | 21 | 16 | — | 7.5 | 9.1 | 6.9 | 6.3 | 17.4 | 21.4 |
| FH23-23S-0.3SHAW(05) | 586-1325-8-05 | 23 | 24 | — | 11.5 | 9.7 | 7.5 | 6.9 | 25.4 | 29.4 |
| FH23-25S-0.3SHAW(05) | 586-1323-2-05 | 25 | 24 | — | 11.5 | 10.3 | 8.1 | 7.5 | 25.4 | 29.4 |
| FH23-27S-0.3SHAW(05) | 586-1309-1-05 | 27 | 24 | — | 11.5 | 10.9 | 8.7 | 8.1 | 25.4 | 29.4 |
| FH23-31S-0.3SHAW(05) | 586-1303-5-05 | 31 | 24 | — | 11.5 | 12.1 | 9.9 | 9.3 | 25.4 | 29.4 |
| FH23-33S-0.3SHAW(05) | 586-1305-0-05 | 33 | 24 | — | 11.5 | 12.7 | 10.5 | 9.9 | 25.4 | 29.4 |
| FH23-39S-0.3SHAW(05) | 586-1307-6-05 | 39 | 24 | — | 11.5 | 14.5 | 12.3 | 11.7 | 25.4 | 29.4 |
| FH23-45S-0.3SHAW(05) | 586-1319-5-05 | 45 | 24 | — | 11.5 | 16.3 | 14.1 | 13.5 | 25.4 | 29.4 |
| FH23-51S-0.3SHAW(06) | 586-1313-9-06 | 51 | 32 | 28.4 | 14.2 | 18.1 | 15.9 | 15.3 | 33.4 | 37.4 |
| FH23-61S-0.3SHAW(05) | 586-1311-3-05 | 61 | 32 | 28.4 | 14.2 | 21.1 | 18.9 | 18.3 | 33.4 | 37.4 |
| FH23-71S-0.3SHAW(05) | 586-1321-7-05 | 71 | 44 | 40.4 | 20.2 | 24.1 | 21.9 | 21.3 | 45.4 | 49.4 |

Recommended Temperature Profile



HRS test condition

| | |
|--------------------|---|
| Solder method | : Reflow, IR/hot air |
| Environment | : Room air |
| Solder composition | : Paste, 96.5%Sn/3.0%Ag/0.5%Cu (Senju Metal Industry, Co., Ltd.'s Part Number: M705-221-CM5-32- 10.5) |
| Test board | : Glass epoxy 45mm×100mm×1.6mm thick |
| Land dimensions | : Lead type 0.3mm×1.25mm, 0.3mm×0.7mm Leadless type 0.3mm×1.25mm, 0.3mm×0.65mm |
| Metal mask | : Lead type 0.25mm×1.25mm×0.1mm thick 0.25mm×0.7mm×0.1mm thick Leadless type 0.25mm×1.25mm×0.1mm thick 0.25mm×0.65mm×0.1mm thick |

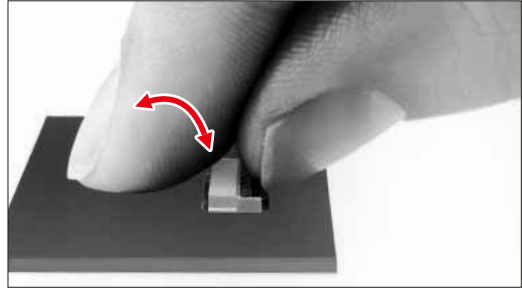
In individual applications the actual temperature may vary, depending on solder paste type, volume/thickness and board size/thickness. Consult your solder paste and equipment manufacturer for specific recommendations.

■ Connector Operating Instructions, precautions and recommendations

Operation

1.FPC Termination procedure. Connector installed on the board.

1) Lift up the actuator. Use thumb or index finger.



2) Fully insert the FPC in the connector parallel to mounting surface, with the exposed conductive traces facing down.

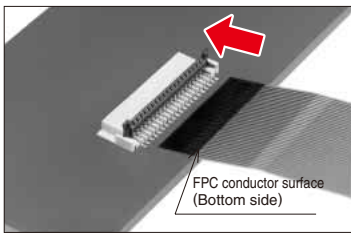


photo 1

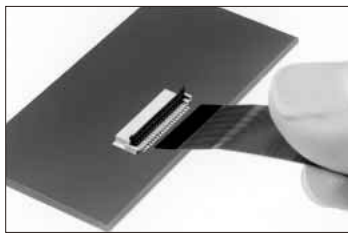


photo 2

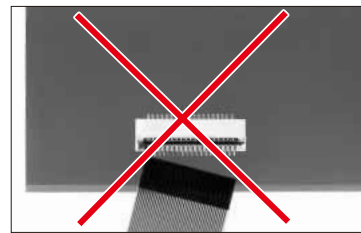
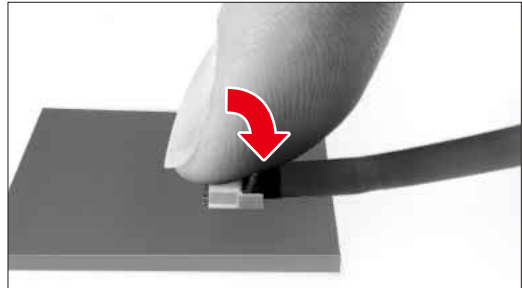
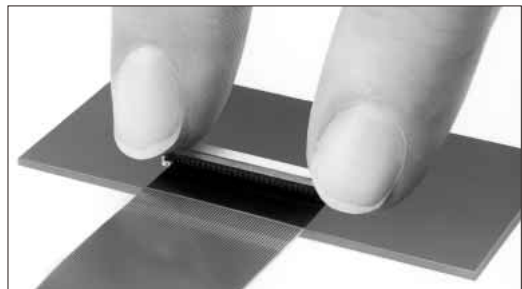


photo 3

3) Rotate down the actuator until firmly closed.
NOTE: The FPC must be fully inserted in the connector. If not fully inserted, the actuator will not close properly. Should this be the case, lift up the actuator (per Step 2 below) and repeat the process (starting with Step 1 above)



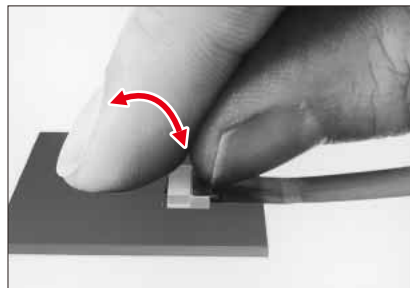
4) For connectors with multiple contacts, such as 61 and 71 pos. rotate down the actuator pushing at both ends.



2.FPC Removal

1) Lift up the actuator.

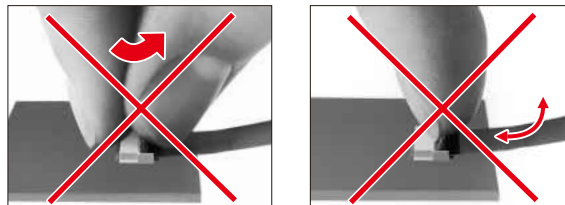
2) Carefully remove the FPC.



■ Connector Operating Instructions, precautions and recommendations

Precautions

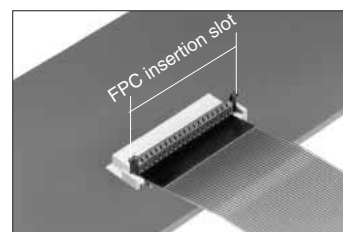
- 1) Do not apply excessive force or use any type of tool to operate the actuator.



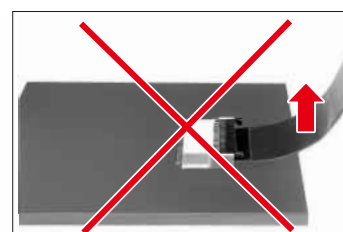
- 2) The connector will assure reliable performance when the actuator is open to 90° maximum. Do not exceed this angle, as this may cause permanent damage to the connector.



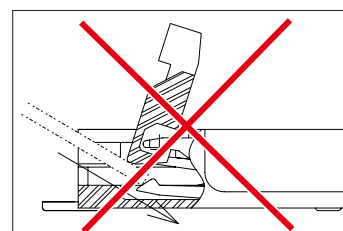
- 3) Properly insert the FPC at the positioning part of the connector. Locking the FPC while it is partially inserted, may cause lock damage, disconnection of the FPC, or continuity fault.



- 4) Do not apply force in the upward direction (as illustrated). Do not bend the FPC too close to the actuator.



- 5) When inserting the FPC, do not forcefully rub against the bottom surface of the connector insertion entrance. Doing so will result in the contacts and FPC making strong contact and may cause deformation of the contacts, peeling of the FPC conductor, and other problems.



USA:

HIROSE ELECTRIC (U.S.A.), INC. Headquarters

2688 Westhills Court, Simi Valley, CA 93065-6235
Phone : 1-805-522-7958
Fax : 1-805-522-3217
<http://www.hiroseusa.com>

USA:

HIROSE ELECTRIC (U.S.A.), INC. North California Office

20400 Stevens Creek Blvd., Ste 250, Cupertino, CA 95014
Phone : 1-408-253-9640
Fax : 1-408-253-9641
<http://www.hiroseusa.com>

USA:

HIROSE ELECTRIC (U.S.A.), INC. Detroit Office (Automotive)

37677 Professional Center Drive, Suite #100C Livonia, MI 48154
Phone : 1-734-542-9963
Fax : 1-734-542-9964
<http://www.hiroseusa.com>

GERMANY:

HIROSE ELECTRIC EUROPE B.V. GERMAN BRANCH

Herzog-Carl-Strasse 4 D-73760 Ostfildern (Scharnhäuser Park)
Phone : 49-711-4560-02-1
Fax : 49-711-4560-02-299
<http://www.hirose.de>

THE NETHERLANDS:

HIROSE ELECTRIC EUROPE B.V.

Hogehillweg #8 1101 CC Amsterdam Z-O
Phone : 31-20-6557460
Fax : 31-20-6557469
<http://www.hiroseeurope.com>

UK:

HIROSE ELECTRIC EUROPE B.V. UK BRANCH

First Floor, St Andrews House, Caldecotte Lake Business Park, Milton Keynes MK7 8LE
Phone : 44-1908-369060
Fax : 44-1908-369078
<http://www.hirose.co.uk>

CHINA:

HIROSE ELECTRIC CO., LTD. BEIJING REPRESENTATIVE OFFICE

A1001, Ocean International Center, Building 56# East 4th Ring Middle Road, Chao Yang District, Beijing, 100025
Phone : 86-10-5165-9332
Fax : 86-10-5908-1381
<http://www.hirose-china.com.cn>

CHINA:

HIROSE ELECTRIC (SHANGHAI) CO., LTD.

1501-02, Cross Tower Building, 318 Fuzhou Road, Huang Pu District, Shanghai 200001
Phone : 86-21-6391-3355
Fax : 86-21-6335-0767
<http://www.hirose-china.com.cn>

CHINA:

HIROSE ELECTRIC CO., LTD. SHENZHEN OFFICE

Room 09-13, 19/F, Office Tower Shun Hing Square, Di Wang Commercial Centre 5002, ShenNanDong Road, ShenZhen City, Guangdong Province, 518008
Phone : 86-755-8207-0851
Fax : 86-755-8207-0873
<http://www.hirose-china.com.cn>

HONG KONG:

HIROSE ELECTRIC HONGKONG TRADING CO., LTD.

Unit 1102 A&B, Energy Plaza, 92 Granville Road, Tsim Sha Tsui East, Kowloon
Phone : 852-2803-5338
Fax : 852-2591-6560
<http://www.hirose-hongkong.com.hk>

TAIWAN:

HIROSE ELECTRIC TAIWAN CO., LTD.

103 8F, No.87, Zhengzhou Rd., Taipei
Phone : 886-2-2555-7377
Fax : 886-2-2555-7350
<http://www.hirose-taiwan.com.tw>

SINGAPORE:

HIROSE ELECTRIC CO., LTD.

10 Anson Road #26-16 International Plaza 079903
Phone : 65-6324-6113
Fax : 65-6324-6123
<http://www.hirose-singapore.com.sg>

KOREA:

HIROSE KOREA CO., LTD.

1261-10, Jeoungwhang-Dong, Shihung-City, Kyunggi-Do 429-450
Phone : 82-31-496-7000,7124
Fax : 82-31-496-7100
<http://www.hirose.co.kr>



HIROSE ELECTRIC CO.,LTD.

6-3,Nakagawa Chuoh-2-Chome,Tsuzuki-Ku,Yokohama-Shi 224-8540,JAPAN
TEL: +81-45-620-3526 Fax: +81-45-591-3726
<http://www.hirose.com>
<http://www.hirose-connectors.com>

X-ON Electronics

Largest Supplier of Electrical and Electronic Components

Click to view similar products for [FFC & FPC Connectors](#) category:

Click to view products by [Hirose](#) manufacturer:

Other Similar products are found below :

[HFW11R-1STE1H1LF](#) [FH29B-100S-0.2SHW\(99\)](#) [FA5S008HP1](#) [FH29B-120S-0.2SHW\(99\)](#) [FH29B-80S-0.2SHW\(99\)](#) [FHS-16](#) [FPH-2022G](#)
[52610-1075](#) [52610-1275](#) [52610-1934](#) [XF3M\(1\)-1415-1B-R100](#) [501864-3091-TR225](#) [0525594033](#) [086210010340800](#) [086222026001800](#)
[52271-2869-CUT-TAPE](#) [62674-201121DLF](#) [62684-36210E9ALF](#) [52610-1675](#) [52746-1671-TR250](#) [10051922-2810EHLF](#) [6-520415-9](#)
[BD021-09A-A1-0350-0200-0550-LD](#) [SFV6R-1STE9HLF](#) [XF3M-2915-1B-R100](#) [1658549-1](#) [62674-221121ALF](#) [46214008010800](#)
[046298003000883](#) [151660622](#) [842-816-2630-035](#) [AYF530665TA](#) [AYF351525](#) [046296011930846+](#) [AYF352325A](#) [046254020000800+](#)
[FH19C-13S-0.5SH\(99\)](#) [FH39J-51S-0.3SHW\(99\)](#) [AYF355125A](#) [AYF530365TA](#) [FH29B-44S-0.2SHW\(99\)](#) [SFW5R-2STAE9LF](#) [AYF351125A](#)
[AYF350725A](#) [62684-502100AHLF](#) [FH39-61S-0.3SHW\(99\)](#) [AYF414035A](#) [10064555-172520HLF](#) [AYF212335A](#) [504754-2500](#)