

D COMPACT ENCLOSED SWITCH

Features

- High precision and long life.
- Suitable for applications demanding higher mechanical strength,
- Gasket diaphragm seal provides high environmental resistance.



Specifications

Item	Standard
Rating	10A, 125V or 250VAC
Contact Resistance	25mΩ max.(initial)
Insulation Resistance	100MΩ min. (at 500VDC)
Dielectric Strength	1,000VAC,50/60Hz for 1 minute
Service Life Mechanically:	1,000,000 operations min.
Service Life Electrically	100,000 operations min.

Product Selection

D
1

HEAD AND ACTUATOR

5000: Push plunger type

5020: Roller plunger type

5040: Cross Roller plunger type

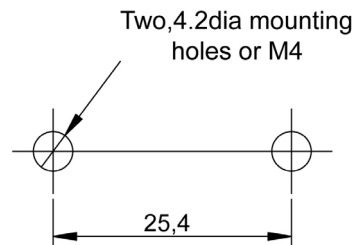
1000: Lever type

1020: Short Lever type

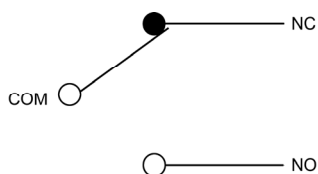
2000: Lever roller type

2020: Short Lever roller type

Mounting Hole



Contact Configuration



HIGHLY

C9

Design, specifications are subject to change without notice.

D COMPACT ENCLOSED SWITCH

Operating Characteristics

Unit : mm

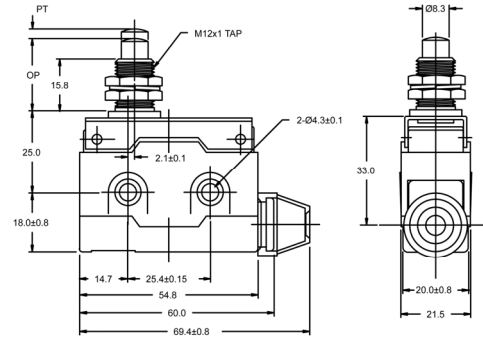
Item NO.

Dimensions

D5000



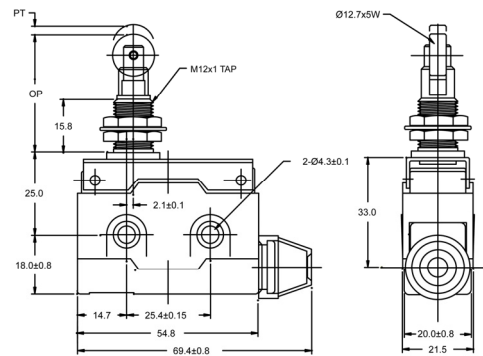
OF max.	600g
RF min.	100g
PT max.	1.6mm
OT min.	5mm
MD max.	0.2mm
OP	21.8± 1.2mm
FP	--



D5020



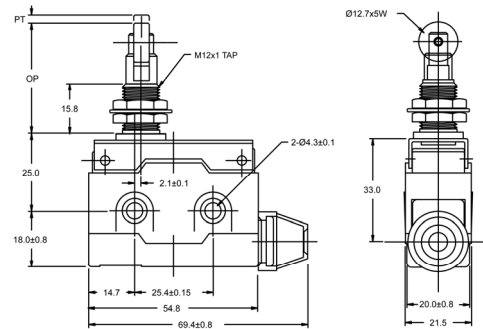
OF max.	600g
RF min.	100g
PT max.	1.6mm
OT min.	5mm
MD max.	0.2mm
OP	33.35± 1.2mm
FP	--



D5040



OF max.	600g
RF min.	100g
PT max.	1.6mm
OT min.	5mm
MD max.	0.2mm
OP	33.35± 1.2mm
FP	--



HIGHLY

C10

Design, specifications are subject to change without notice.

D COMPACT ENCLOSED SWITCH

Operating Characteristics

Unit : mm

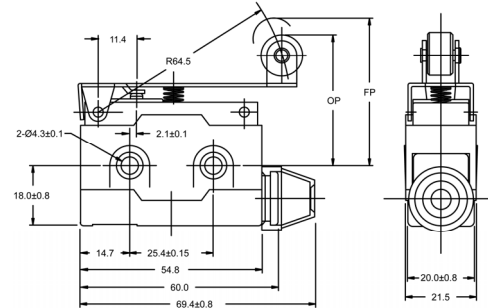
Item NO.

Dimensions

D2000



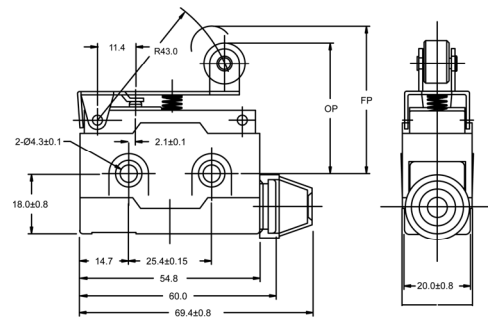
OF max.	195g
RF min.	28g
PT max.	8.5mm
OT min.	3.2mm
MD max.	2.6mm
OP	40± 1mm
FP	50mm



D2020



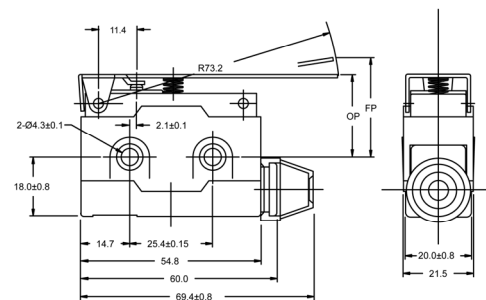
OF max.	300g
RF min.	40g
PT max.	6mm
OT min.	2mm
MD max.	1.5mm
OP	40±1mm
FP	46mm



D1000



OF max.	170g
RF min.	25g
PT max.	10mm
OT min.	4mm
MD max.	3mm
OP	25± 1mm
FP	35mm



HIGHLY

C11

Design, specifications are subject to change without notice.

D COMPACT ENCLOSED SWITCH

Operating Characteristics

Unit : mm

Item NO.

Dimensions

D1020



OF max. 260g

RF min. 35g

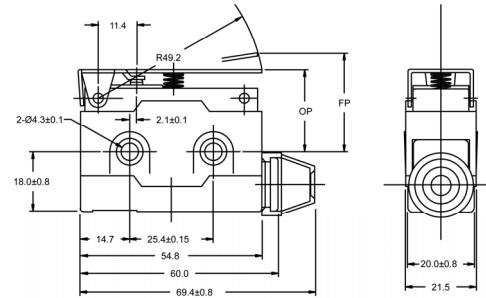
PT max. 7mm

OT min. 2.5mm

MD max. 1.7mm

OP 25± 1mm

FP 32mm



NOTE:

HIGHLY

C12

Design, specifications are subject to change without notice.

X-ON Electronics

Largest Supplier of Electrical and Electronic Components

Click to view similar products for [Basic / Snap Action Switches](#) category:

Click to view products by [Highly manufacturer](#):

Other Similar products are found below :

[83228001](#) [01.098.1358.1](#) [602EN1-6B](#) [602EN532](#) [602EN535-RB](#) [602HE5-RB1](#) [604HE162](#) [604HE223-6B](#) [624HE17-RB](#) [6HM89](#) [6PA78-JM](#)
[6SE1](#) [6SX1-H58](#) [70500840](#) [MBD5B1](#) [MBH2731](#) [73-316-0012](#) [79211759](#) [79211923](#) [79218589](#) [7AS12](#) [ML-1155](#) [ML-1376](#) [831010C3.0](#)
[831060C3.TL](#) [831090C2.EL](#) [83131904](#) [84212012](#) [8AS239](#) [8HM73-3](#) [903VB1-PG](#) [914CE1-6G](#) [PL-100](#) [11SM1077-H4](#) [11SM1077-H58](#)
[11SM1-TN107](#) [11SM405](#) [11SM703-T](#) [11SM8423-H2](#) [11SX37-T](#) [11SX48-H58](#) [11SX55-H58](#) [11SM2442-T](#) [11SM76-T](#) [11SM77-H58](#)
[11SM77-T](#) [11SM863-T](#) [11SM866](#) [11SX47-H58](#) [A7CN-1M-1-LEFT](#)