



# ANLY COUNTER

## AH5CK / AH5K PRESET COUNTER



ANLY



### CHARACTERISTIC :

- Proximity and photoelectric switch compatible
- Seven-segment-display for clear display and effective monitoring
- Protection against power surge and high frequency interference
- Input signal - active-low or active-high input contact (1+4)
- Available on Count Up or Count Down model
- Reset method - shut-off reset or shorting contact (1+3) instantaneous reset
- Memory switch allows users to enable or disable permanent memory function \*
- Manual reset button on faceplate \*
- UL, C-UL recognized and CE certified \*

Note: \*indicates applicable to AH5CK series only

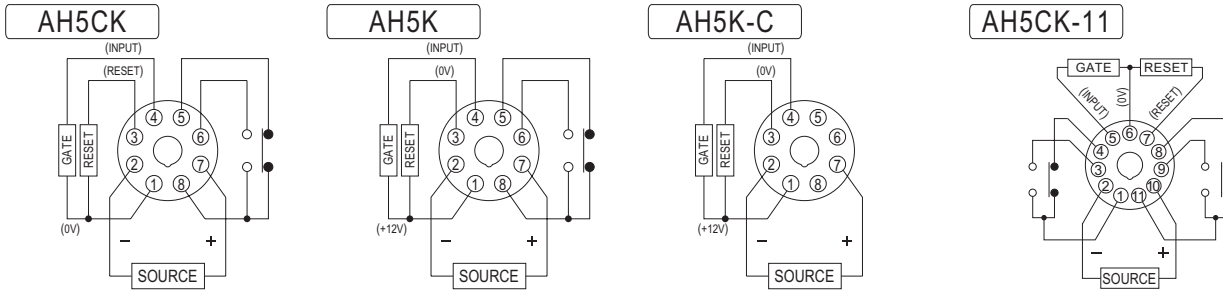
### TYPE SELECTION :

### SPECIFICATION :

Operating voltage	AH5CK AC/DC(V): 12~48 AC/DC(V): 100~240
	AH5K DC(V): 12, 24 AC(V): 12, 24, 110, 220, 240
Allowable operating voltage range	85~110% of rated operating voltage
Rated frequency	50 / 60 Hz
Contact rating	250VAC 5A (resistive load)
Count speed	MAX 60 cps or 200 cps
Reset time	MAX 0.1S
Power consumption	AH5CK Approx. 2.5VA AH5K, AH5K-C Approx. 2VA
Life	Mechanical: 5,000,000 times Electrical: 100,000 times
Ambient temperature	-10 ~ +50°C
Ambient humidity	MAX 85%RH
Weight	AH5CK Approx. 130g AH5K Approx. 170g AH5K-C Approx. 160g

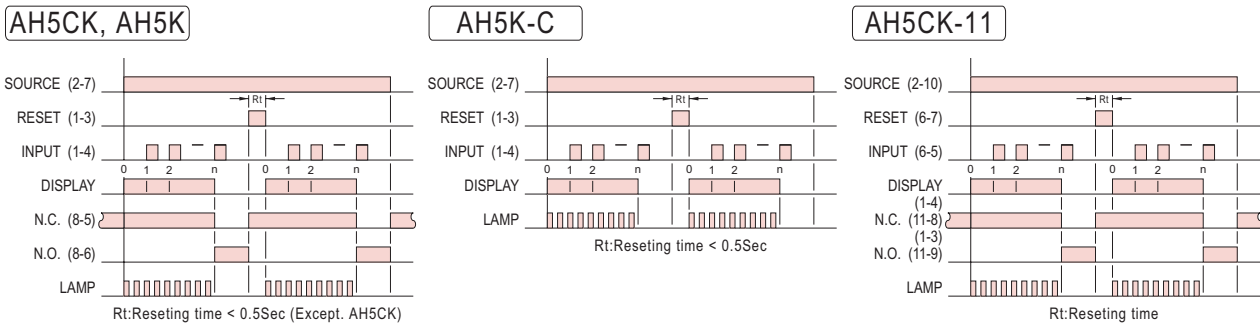
Display	4Digits(0~9999)				3Digits(0~999)	2Digits(0~99)
Memory	○	○	----	----	----	----
Output contact	1C	2C	1C	----	1C	1C
Standard (under 60 cps)	AH5CK	AH5CK-11	AH5K-4D	AH5K-C	AH5K-3D	AH5K-2D
High speed (under 200 cps)	AH5CK-H	AH5CK-11H	AH5K-4DH	AH5K-CH	AH5K-3DH	AH5K-2DH
Count down	AH5CK-D	AH5CK-11D	AH5K-4DD	AH5K-CD	AH5K-3DD	AH5K-2DD
Auto reset	AH5CK-R	AH5CK-11R	AH5K-4DR	AH5K-CR	AH5K-3DR	AH5K-2DR

## CONNECTION :



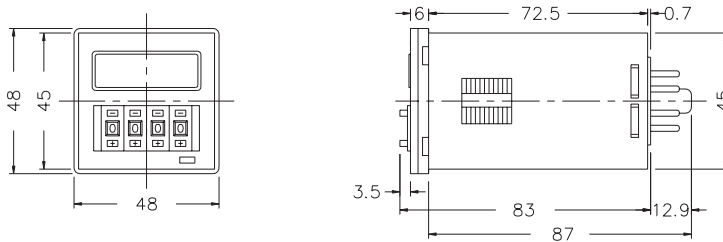
Note: AH5K, AH5K-C: When using Proximity(Type PNP) or photoelectric switch, connect (+) to pin (1), (-) to pin (3) and (OUT) to pin (4)  
 AH5CK: When using Proximity(Type NPN) or photoelectric switch, connect (+) to external 12VDC, (-) to pin (1) and (OUT) to pin (4)  
 AH5CK-11: When using Proximity(Type NPN) or photoelectric switch, connect (+) to external 12VDC, (-) to pin (6) and (OUT) to pin (5)

## TIMING CHART :

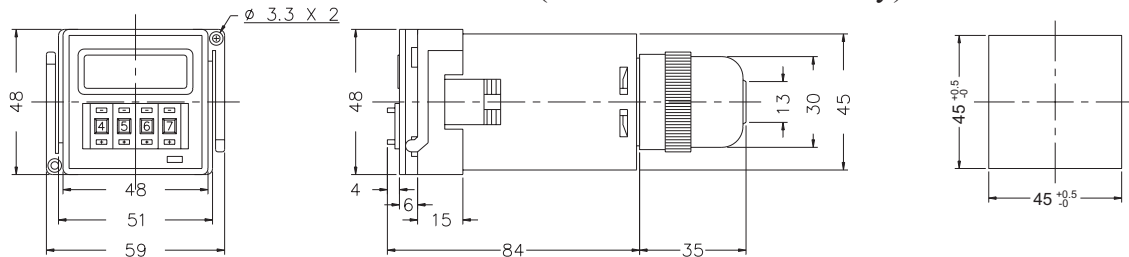


## DIMENSIONS : (mm)

N type(Surface Mounting): Using P2CF-08 , PF085A Socket or PF113A Socket(for AH5CK-11 use only)



Y type(Flush Mounting): Using Y50 Frame & US-08 Socket , P3G-08 Socket or P3G-11 Socket(for AH5CK-11 use only)



**ONLY ELECTRONICS CO., LTD.**

<http://www.ONLY.com.tw>

**TAIWAN MAIN OFFICE : ONLY ELECTRONICS CO., LTD.**

No.19, Lane 202, Fushou St., Shinjuang City, Taipei, Taiwan 242  
 TEL: +886-2-2996-3202 FAX: +886-2-2996-2017

**MALAYSIA BRANCH : JUSTY ELECTRONICS (M) SDN, BHD.**

No.1, Jalan 6/89B, Kawasan Perindustrian Trisegi, Batu 3 1/2 Off Jalan Sungei Besi, 57100 Kuala Lumpur, Malaysia  
 TEL: +60-3-7983-5758 FAX: +60-3-7981-5052

**HONG KONG BRANCH : ONLY ELECTRONICS (HK) LTD.**

Flat K, 13/F, Edward Mansion, 141 Prince Edward Road W., Kowloon, Hong Kong  
 TEL: +852-2397-2505 FAX: +852-2397-6080

**CHINA SALES OFFICE : ONLY TECHNOLOGY (WUXI) CO., LTD.**

Room 3D, Zhaofeng Building, No.9, Alley 396, Changning Rd., Changning District, Shanghai, China 200042  
 TEL: +86-21-6212-3482 FAX: +86-21-6212-3483

## X-ON Electronics

Largest Supplier of Electrical and Electronic Components

*Click to view similar products for [Counters & Tachometers](#) category:*

*Click to view products by [Anly](#) manufacturer:*

Other Similar products are found below :

[LC2H-FE-2K-N](#) [H7CN-XLN DC12-48](#) [LC24-F-N](#) [H7CXAWD1NDC1224AC24](#) [H7ER-NV1-H](#) [H7CX-A114S-N AC100-240](#) [H7CX-AWSD-N-DC12-24](#) [H7CX-AU-N AC100-240](#) [GPMZC-SET](#) [CX6S-1P2F](#) [CX6S-1P4F](#) [CX6S-2P2F](#) [CX6S-2P4F](#) [H127.010A01H](#) [H5KLR-11 100-240V AC/DC](#) [H7CX-AUD1-N](#) [H7CX-AW-N](#) [3.550.401.075](#) [3.550.401.351](#) [LC2H-C-2K-N](#) [LC2H-C-30-N](#) [LC2H-F-DL-2KK](#) [LC4H-R4-AC240VS](#) [LC4H-R6-AC240V](#) [1.150.510.012.550](#) [1.150.510.054.550](#) [1.150.510.056.550](#) [6.520.012.300](#) [6.560.010.300](#) [SLE-73-1400-1-4-01](#) [SLIK-94-1521-1-3-001](#) [SLN-94-1421-1-3](#) [SPI-73-1411-1-3-011](#) [CT6S-1P4](#) [Y-50](#) [LC4H-R4-AC24V](#) [LC4H-R4-DC24V](#) [CT6S-2P4](#) [LC2H-F-DL-2KK-B](#) [LC2H-FE-DL-2KK-B](#) [LC2H-FE-FV-30](#) [H127.010A01G](#) [H5KLR-8B 12-48 AC/DC](#) [H7CX-A11-N](#) [H7CX-AD-N](#) [H7CX-AU-N](#) [H7ER-NV1](#) [H8DA 12-48V AC/DC](#) [87622062](#) [99776901](#)