

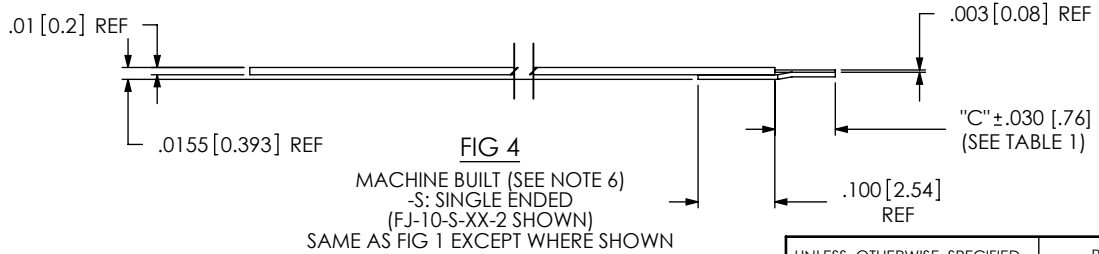
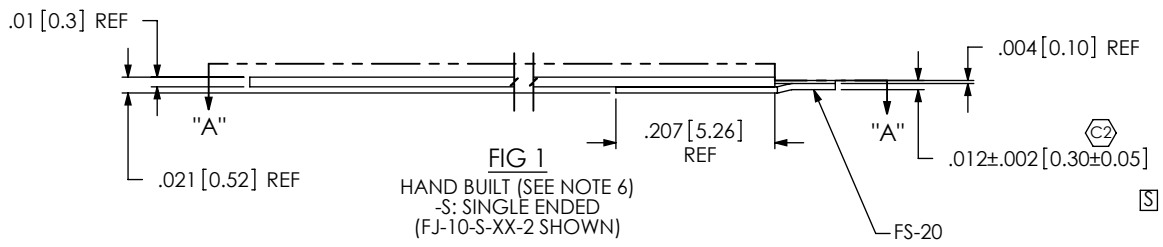
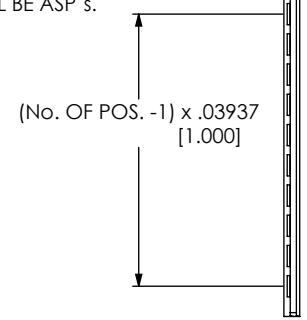
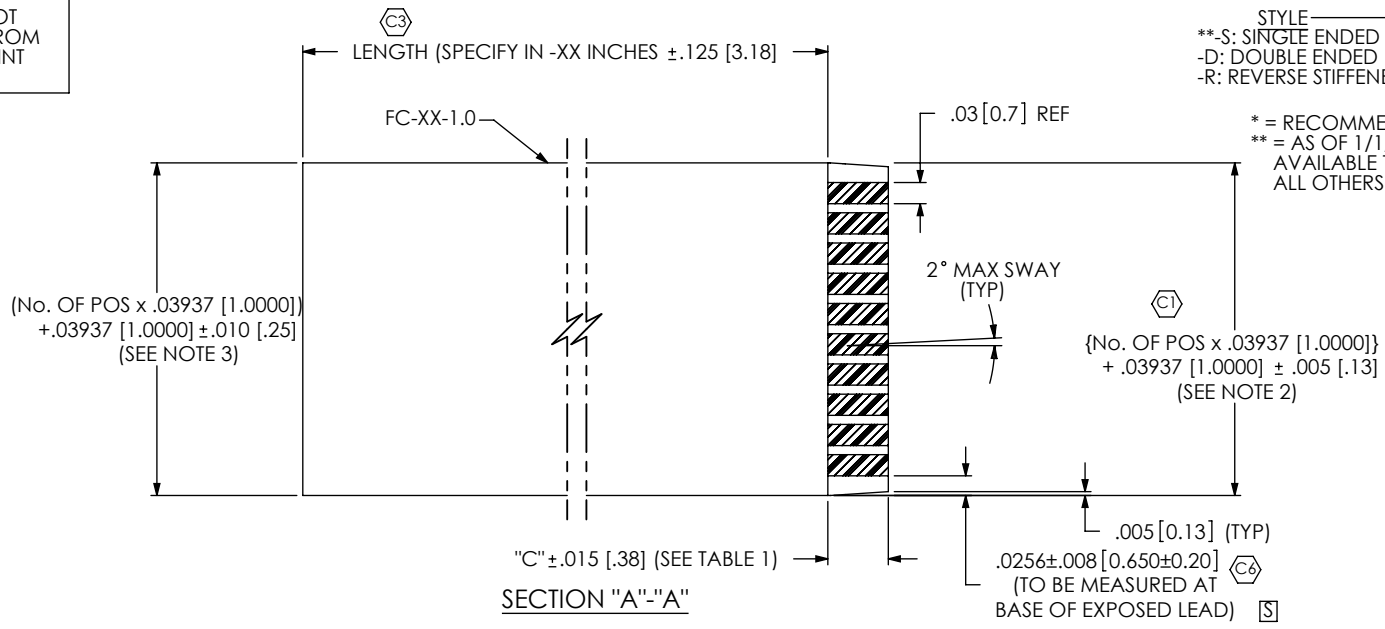
DO NOT SCALE FROM THIS PRINT

No OF POSITIONS  
-05, -10, -15, -20, -25, -30

STYLE  
\*\*S: SINGLE ENDED  
-D: DOUBLE ENDED  
-R: REVERSE STIFFENER

STRIP LENGTH  
-2: .079 [2.00]  
\* -4: .157 [4.00]  
-6: .236 [6.00]

LENGTH  
-XX: "XX" INCHES ±.125 [3.18] INCH  
(-S STYLE 2.500 [63.50] MIN)  
(-D & -R STYLE 2.000 [50.80] MIN)



STRIP LENGTH	"C"
-2	.079 [2.00]
-4	.157 [4.00]
-6	.236 [6.00]

- NOTES:
1. REPRESENTS A CRITICAL DIMENSION.
  2. MEASURE WHERE STIFFENER AND CABLE ARE ATTACHED.
  3. MEASURED ALONG LENGTH OF CABLE, EXCEPT WHERE STIFFENER IS ATTACHED TO CABLE.
  4. NOTE DELETED.
  5. STIFFENER IS TRIMMED TO CORRECT WIDTH.
  6. HAND BUILT PARTS USE A BLUE STIFFENER., MACHINE BUILT PARTS USE A BLACK STIFFENER.

UNLESS OTHERWISE SPECIFIED, DIMENSIONS ARE IN INCHES. TOLERANCES ARE:

DECIMALS ANGLES  
.XX: ±.01 [.25] 2°  
.XXX: ±.005 [.13]  
.XXXX: ±.0020 [.050]

PROPRIETARY NOTE  
THIS DOCUMENT CONTAINS INFORMATION CONFIDENTIAL AND PROPRIETARY TO SAMTEC, INC. AND SHALL NOT BE REPRODUCED OR TRANSFERRED TO OTHER DOCUMENTS OR DISCLOSED TO OTHERS OR USED FOR ANY PURPOSE OTHER THAN THAT WHICH IT WAS OBTAINED WITHOUT THE EXPRESSED WRITTEN CONSENT OF SAMTEC, INC.



520 PARK EAST BLVD, NEW ALBANY, IN 47150  
PHONE: 812-944-6733 FAX: 812-948-5047  
e-Mail: info@SAMTEC.com code: 55322

DO NOT SCALE DRAWING SHEET SCALE: 4:1

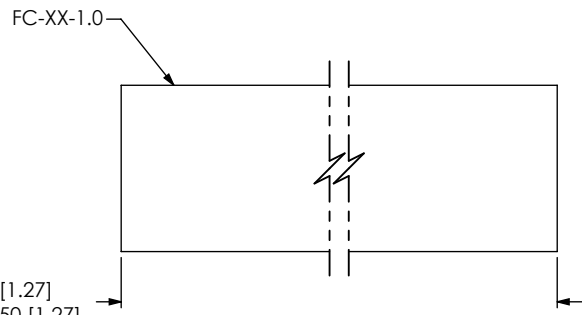
MATERIAL: CONDUCTORS: TIN PLATED COPPER  
SURFACE FINISH EITHER BRIGHT ACID TIN (99.9% SN)  
OR MATTE TIN (95.5% SN, 3.5% AG, 1% CU)  
INSULATION: POLYESTER  
STIFFENER: POLYESTER

F:\DWG\MISC\MKTG\FJ-XX-X-XX-MKT.SLDDRW

DESCRIPTION:  
.03937 [1.0000] FLEX CABLE JUMPER

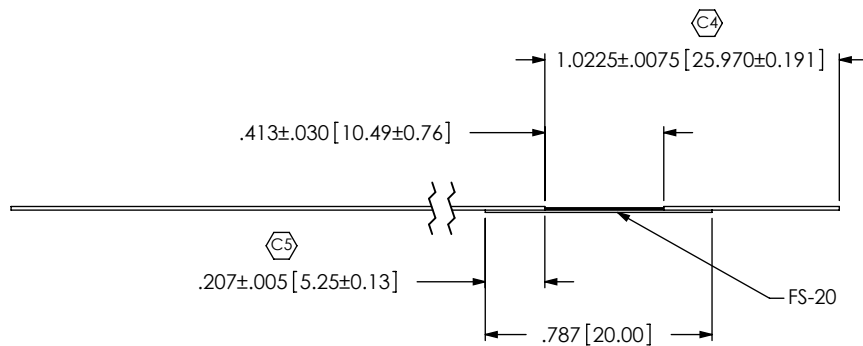
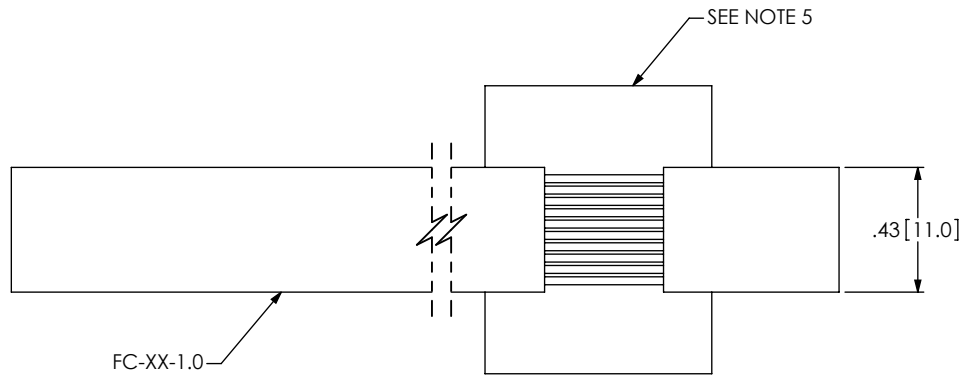
DWG. NO.  
FJ-XX-X-XX-X

BY: KEVIN B 3/29/99 SHEET 1 OF 2



FOR -S: ("XX" LENGTH + .591 [15.16]) ±.050 [1.27]  
 FOR -D & -R: ("XX" LENGTH + 1.181 [30.00]) ±.050 [1.27]

IN-PROCESS 1



IN-PROCESS 2  
 (TYP ON BOTH ENDS FOR -D & -R STYLES)

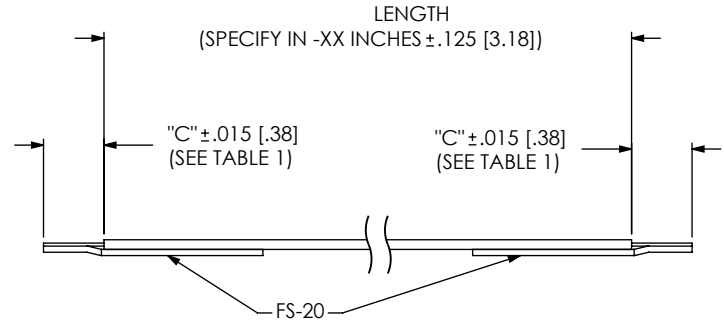


FIG. 2

-D: DOUBLE ENDED  
 (SAME AS FIG. 1, UNLESS STATED)

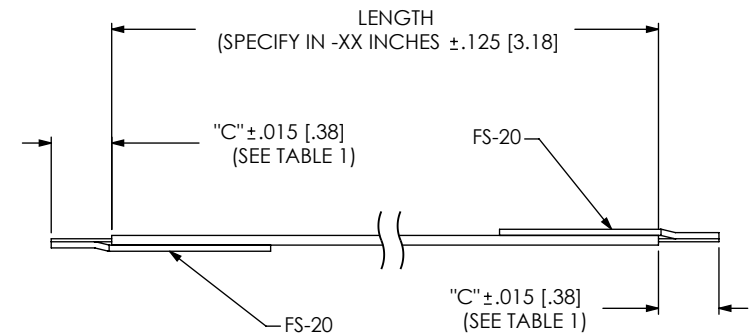


FIG. 3

-R: REVERSE STIFFENER  
 (SAME AS FIG. 1, UNLESS STATED)

PROPRIETARY NOTE  
 THIS DOCUMENT CONTAINS INFORMATION  
 CONFIDENTIAL AND PROPRIETARY TO  
 SAMTEC, INC. AND SHALL NOT BE REPRODUCED  
 OR TRANSFERRED TO OTHER DOCUMENTS OR  
 DISCLOSED TO OTHERS OR USED FOR ANY  
 PURPOSE OTHER THAN THAT WHICH IT WAS  
 OBTAINED WITHOUT THE EXPRESSED WRITTEN  
 CONSENT OF SAMTEC, INC.

DO NOT SCALE DRAWING

SHEET SCALE: 3:1



520 PARK EAST BLVD, NEW ALBANY, IN 47150  
 PHONE: 812-944-6733 FAX: 812-948-5047  
 e-Mail: info@SAMTEC.com code: 55322

DESCRIPTION:  
 .03937 [1.0000] FLEX CABLE JUMPER

DWG. NO.  
 FJ-XX-X-XX-X

BY: KEVIN B 3/29/99 SHEET 2 OF 2

## X-ON Electronics

Largest Supplier of Electrical and Electronic Components

*Click to view similar products for [FFC / FPC Jumper Cables](#) category:*

*Click to view products by [Samtec](#) manufacturer:*

Other Similar products are found below :

[6-1437161-1](#) [MDM96521-744](#) [8-1474659-7](#) [FSK-21.5A-20](#) [FSK-72.5KD-17](#) [FSN-21A-18](#) [FSN-21A-2](#) [FSN-23A-3](#) [FSN-24A-2](#) [FSP-23A-14](#)  
[FSP-25A-8-TB](#) [FST-24A-5](#) [9-1474653-6](#) [1474494-5](#) [1474659-1](#) [1474448-1](#) [1474494-2](#) [1557385-1](#) [2-1437168-4](#) [22034.1](#) [237-0736-003](#) [2-](#)  
[6447164-4](#) [1-6437133-3](#) [1-6437159-8](#) [1832785-1](#) [FSN-23A-5](#) [FSN-26A-3](#) [FSN-28A](#) [FSN-61.1AB-30](#) [FSP-23A-11](#) [2-1437181-9](#) [2-](#)  
[1437186-7](#) [238-9503-000](#) [2-6474621-5](#) [3-1437186-4](#) [3-1474654-1](#) [4-1437180-6](#) [4-1474659-8](#) [3-1437144-3](#) [3-1474654-4](#) [357-9509-000](#) [5-](#)  
[1474653-2](#) [5-1474654-9](#) [1-1437173-3](#) [1-1474671-7](#) [1-1474612-2](#) [6474462-1](#) [6-6437158-0](#) [5-1474653-4](#) [D130361-5](#)