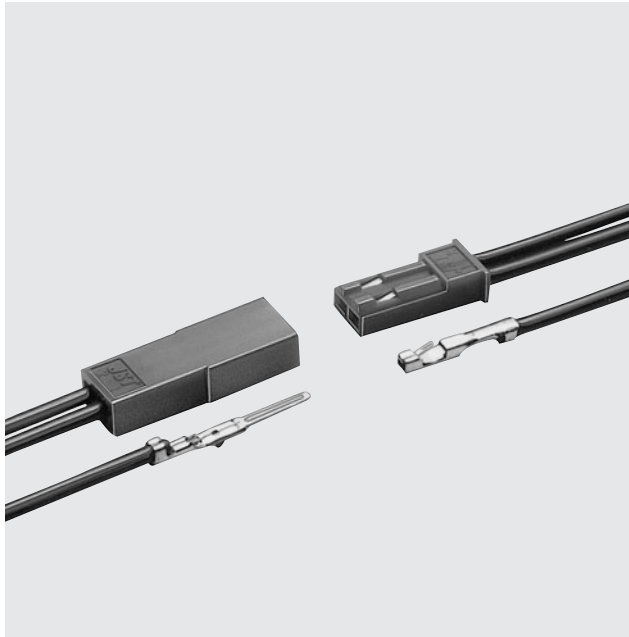
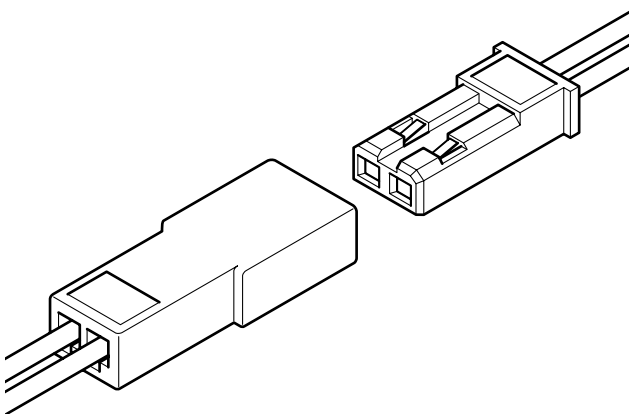


# RCY CONNECTOR

Disconnectable Crimp style Wire-to-wire connectors



*The RCY connector is a compact, 2.5mm pitch wire-to-wire connector for use with a variety of circuits, from signal circuits to power supply circuits, in electrical equipment which is becoming more and more compact. The employment of a free spring contact method ensures stable contact performance, and superb working efficiency of insertion and removal.*



## Features

### • Use of a free spring contact for superb creep characteristics

The contact section features a free spring contact construction, which effectively minimizes stress (creep) caused by repeated insertion and removal at high temperatures. Connector insertion and removal is also smooth, ensuring stable connection performance.

### • Compact design

The RCY connector is designed to be compact. When mated, its overall length is just 23.3mm and its thickness is 4.0mm.

### • Housing lock

Because a lock is provided inside the housing, external force is not applied to the lock.

## Specifications

- Current rating: 3A AC, DC max.
- Voltage rating: 250V AC, DC max.
- Temperature range: -25°C to +85°C  
(including temperature rise in applying electrical current)
- Contact resistance: Initial value/10m Ω max.  
After environmental testing/20m Ω max.
- Insulation resistance: 500M Ω min.
- Withstanding voltage: 1,500V AC/minute
- Applicable wire: AWG #28 to #22  
0.08 to 0.33mm<sup>2</sup>
- \* Compliant with RoHS.
- \* Refer to "General Instruction and Notice when using Terminals and Connectors" at the end of this catalog.
- \* Contact JST for details.

*Note: The current rating varies depending on the wire size used in each connector.*

*The table below lists the current rating as a function of the wire size.*

Circuits	Wire size (AWG)			
	#22	#24	#26	#28
2	3	2	1	0.5

Current unit: A

## Standards

Recognized E60389

Certified LR20812

# RCY CONNECTOR

## Contact



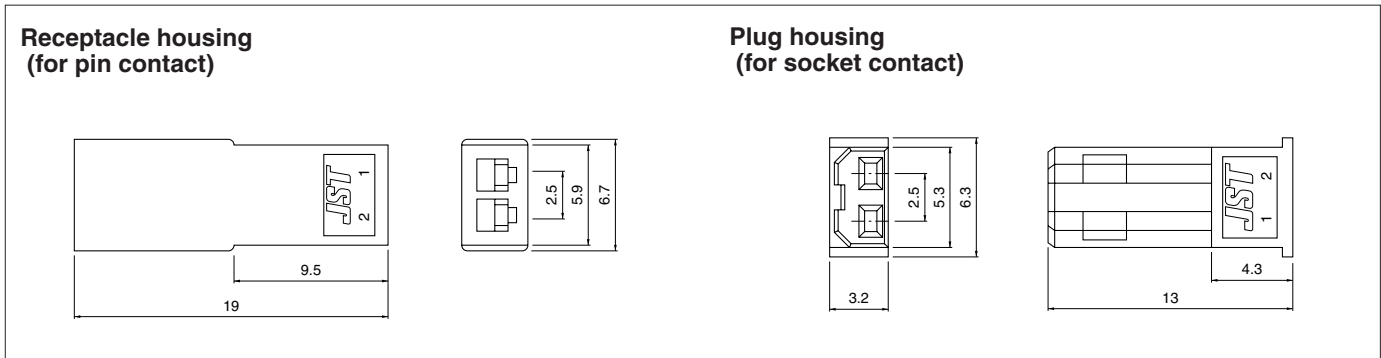
Model No.		Applicable wire			Q'ty / reel	
Pin contact	Socket contact	mm <sup>2</sup>	AWG #	Insulation O.D. (mm)	Pin contact	Socket contact
<b>SYM-001T-P0.6</b>	<b>SYF-001T-P0.6</b>	0.08 to 0.33	28 to 22	1.2 to 1.8	8,500	7,500

### Material and Finish

Phosphor bronze, tin-plated (reflow treatment)

**RoHS compliance** SYF-001T-P0.6 displays (LF)(SN) on a label.  
Note: Contact JST for brass products.

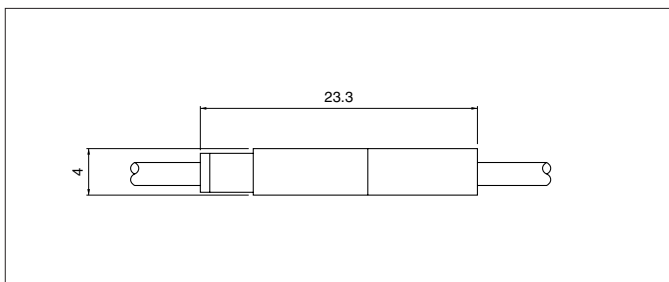
## Housing



Circuits	Model No.		Material	Q'ty / bag
	Receptacle housing	Plug housing		
2	<b>SYR-02T</b>	<b>SYP-02T-1</b>	PA 66, UL94V-2, red	1,000
	<b>SYR-02TV</b>	<b>SYP-02TV-1</b>	PA 66, UL94V-0, white (natural)	1,000

RoHS compliance

## Assembly layout



## Crimping machine, Applicator

Contact	Crimping machine	Applicator		
		Crimp applicator	Dies	Crimp applicator with dies
<b>SYM-001T-P0.6</b>	AP-K2N	MKS-L, MSK-LS	MK/SYM-001-06	APLMK SYM001-06
		*MKS-SC	SC/SYM-001-06	APLSC SYM001-06
<b>SYF-001T-P0.6</b>		MKS-L	MK/SYF-001-06	APLMK SYF001-06
-		-	-	

Note: \*Strip-crimp applicator

## X-ON Electronics

Largest Supplier of Electrical and Electronic Components

*Click to view similar products for [Terminals](#) category:*

*Click to view products by [JST](#) manufacturer:*

Other Similar products are found below :

[HT-13-10](#) [71M-250-32-NB](#) [01-2065-1-0216](#) [00581P0075](#) [M10-10RX](#) [M10BCK](#) [60205-1](#) [604200-1](#) [60598-1-CUT-TAPE](#) [60617-1-C](#) [60873-1](#) [M14-516R/SK](#) [M14-6RSX](#) [M18-10FLX](#) [M18-8FBX](#) [M18-8R/LX](#) [M18BCK](#) [61314-6-C](#) [61-S](#) [61-SN-A](#) [62-NBM-A](#) [63-S](#) [640179-1](#) [640917-2-CUT-TAPE](#) [6501550002](#) [66107-2-C](#) [66107-4-C](#) [696683-1](#) [696834-1](#) [696861-1](#) [696931-1](#) [696999-1](#) [M8-516RK](#) [M86700006](#) [MA250DMFMX-A](#) [701-2007](#) [701-2307](#) [701-7761-03](#) [70F-110-32-PB](#) [718-N-A](#) [71M-187-20-NBL](#) [71M-250-32-NBL](#) [72F-187-20-NBL](#) [72M-250-32-NBL](#) [7310](#) [73F-250-32](#) [73F-250-32-NBL](#) [73F-250-32-NL](#) [F14-10C](#) [F-1M](#)