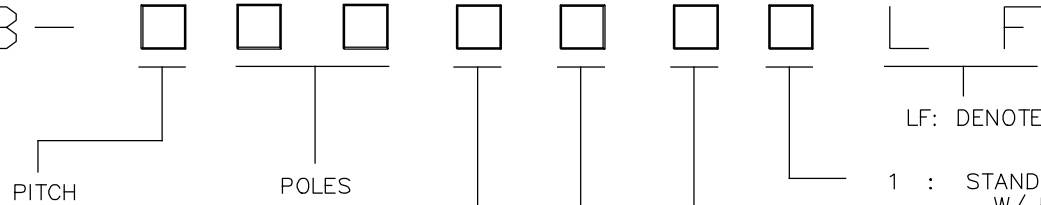




PRODUCT NUMBER  
20020008-XXXXXXLF

20020008



C: 3.50 mm  
D: 3.81 mm  
G: 5.00 mm  
H: 5.08 mm

02: 2 POLES  
03: 3 POLES  
04: 4 POLES

24: 24 POLES

LF: DENOTED RoHS COMPATIBLE

1 : STANDARD PRODUCT  
W/ BOX PACKING

PRINTING CODE	POSITION	MARKING
0	NONE	NONE
3	SIDE	....4,3,2,1
5	SIDE	....C,B,A,-,+

PROPERTY TABLE						
FCI SERIES NAME		02-350	02-381	02-500	02-508	
PITCH (mm)		3.50	3.81	5.00	5.08	
VOLTAGE RATING (VAC)		300	300	300	300	
CURRENT RATING (A)	cULus	8	8	12	12	
	VDE	10	10	NA	NA	
APPLICABLE WIRE RANGE (AWG)	1-WIRE	16~28	16~28	12~24	12~24	
	2-WIRE	20	20	18	18	
WIRE CROSS SECTION (mm <sup>2</sup> )	SOLID	1-WIRE	1.5	1.5	2.5	2.5
		2-WIRE	0.5	0.5	1.0	1.0
	STRANDED	1-WIRE	1.5	1.5	2.5	2.5
		2-WIRE	0.75	0.75	1.5	1.5
OPENING CONTACT HOUSING(mm <sup>2</sup> )		2.8x1.7	2.8x1.7	2.6x3.2	2.6x3.2	
WIRE STRIP LENGTH(mm)		6~7	6~7	6~7	6~7	
TORQUE +/-10% (N-m/Lb-in)		0.19/1.7	0.19/1.7	0.4/3.5	0.4/3.5	
SCREW		M2x0.4	M2x0.4	M3x0.5	M3x0.5	
WITHSTANDING VOLTAGE (kV)	cULus	1.6	1.6	1.6	1.6	
	VDE	2.5	2.5	NA	NA	
OPERATING TEMP. (°C)		-40~+115	-40~+115	-40~+115	-40~+115	
POLES AVAILABLE		02~24	02~24	02~24	02~24	
SAFETY CERTIFICATE						

HOUSING CODE

CODE	COLOR	AVAILABILITY
1	GREEN(RAL 6018/T)	STANDARD
2	BLACK	ON REQUEST ONLY
3	GREY(RAL 7004/P)	ON REQUEST ONLY
4	BLUE(RAL 5015/A)	ON REQUEST ONLY
5	YELLOW	ON REQUEST ONLY

SCREW CODE

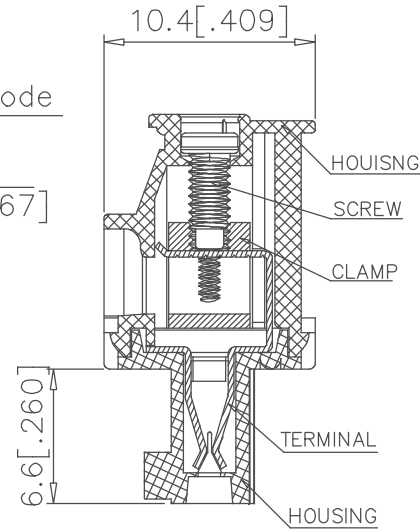
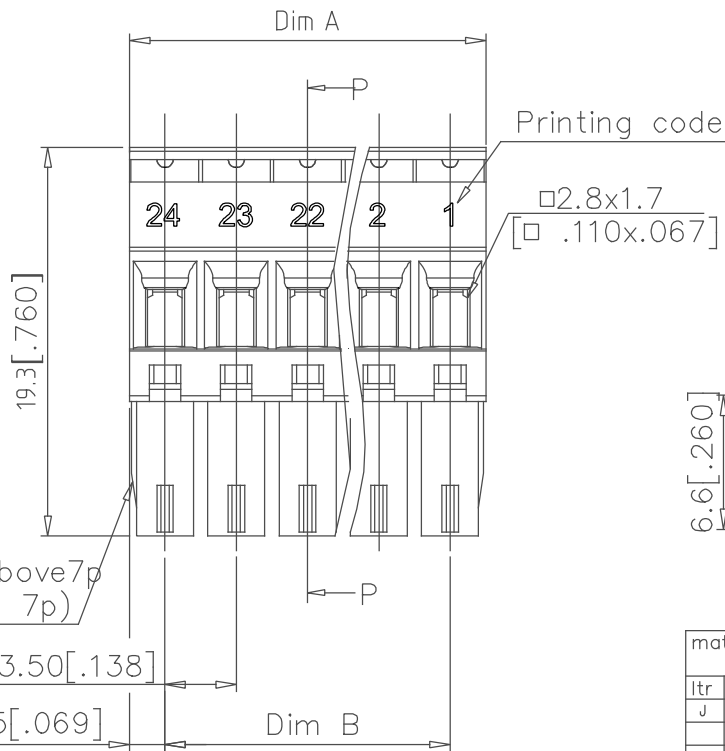
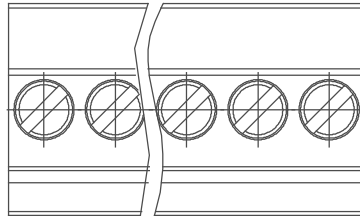
CODE	SCREW TYPE	AVAILABILITY
A	-/+	ON REQUEST ONLY
B	-	STANDARD

NOTES:

- MATERIALS
  - 1-1 HOUSING: THERMALPLASTIC RESIN, UL 94V-0 RATED,
  - 1-2 SCREW: STEEL, ZINC PLATED.
  - 1-3 CLAMP: COPPER ALLOY, NICKEL PLATED.
  - 1-4 TERMINAL: COPPER ALLOY, TIN PLATED.
- PRODUCT SPECIFICATION REFER TO FCI GS-12-625.
- PRODUCT PACKING SPECIFICATION REFER TO FCI GS-14-1394.
- FCI, SAFETY CERTIFICATE LOGO AND SERIES NAME TO BE SHOWN ON PRODUCT SURFACE.
- THE PRODUCTS WHERE THE PART NUMBER END IN "LF" MEET THE EUROPEAN UNION DIRECTIVE AND OTHER COUNTRY REGULATIONS AS DESCRIBED IN GS-22-008.

mat'l. code		surface	tolerance	projection	product family
		ASME Y14.5	ASME Y14.5		TERMINAL BLOCK
ltr	ecn no	dr	date	title	
D	T10-0042	WL	030310	TERMINAL BLOCK	
E	T10-0082	WL	080510	Pluggable plug, hook entry side	
F	T10-0172	WL	102010	scale	
G	T11-0013	WL	040811	sheet 1 of 5 size	
H	T-004746	WL	072011	20020008 A4	
J	T-012872	LS	091912	CUSTOMER Drawing	
sheet index		revision sheet	J J J J J		
			1 2 3 4 5		

PRODUCT NUMBER	SERIES NAME	PITCH
20020008-CXXXXXLF	02-350	3.50 mm



SECTION P-P

N= NUMBER OF POLES  
DIMENSION

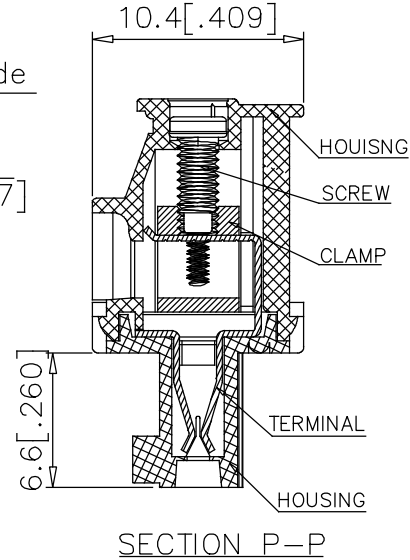
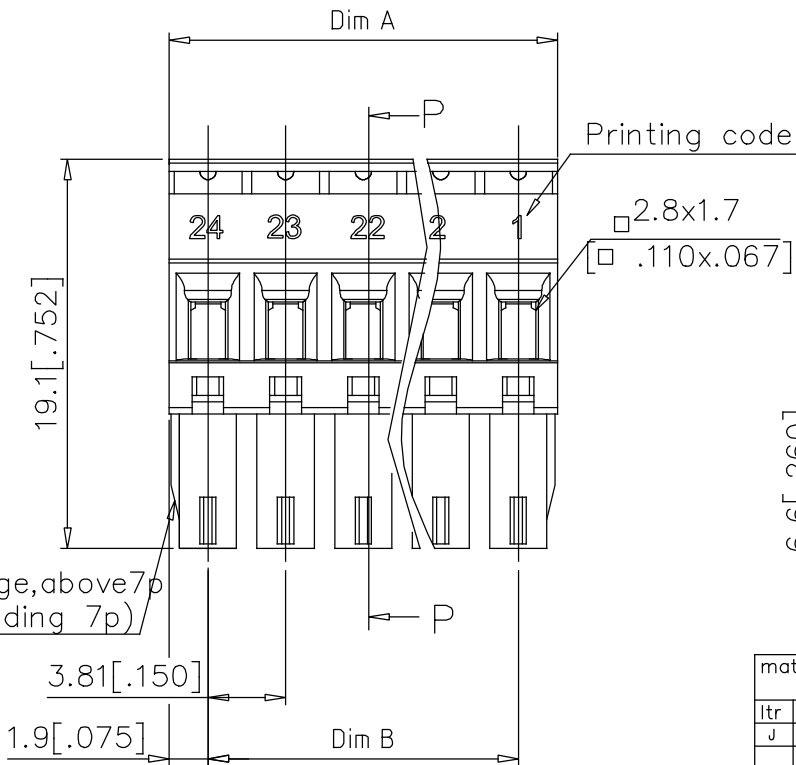
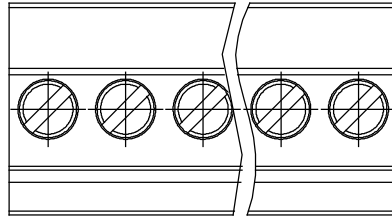
Dim A	N*3.5 [.138]
Dim B	(N-1)*3.5 [.138]

Poles	Tolerance
2P-6P	±0.15 [.006]
7P-12P	±0.20 [.008]
13P-18P	±0.25 [.010]
19P-24P	±0.30 [.012]

mat'l. code	surface ASME Y14.5 ✓	tolerance ASME Y14.5	projection	product family	TERMINAL BLOCK
ltr	ecn no	dr	date	title	TERMINAL BLOCK PLUGABLE, PLUG, SIGNAL, ENTRYSIDE HOOK
J				scale	MM INCH
				dwg no	20020008
				sheet	2 of 5
				size	A4
				type	CUSTOMER Drawing
sheet index	revision sheet				



PRODUCT NUMBER	SERIES NAME	PITCH
20020008-DXXXXXLF	02-381	3.81 mm



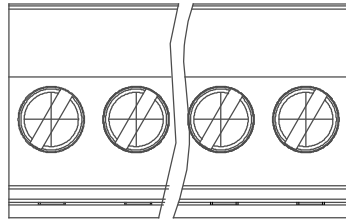
N= NUMBER OF POLES  
DIMENSION

Dim A	$N \times 3.81 [.150]$
Dim B	$(N-1) \times 3.81 [.150]$

Poles	Tolerance
2P-6P	$\pm 0.15 [.006]$
7P-12P	$\pm 0.20 [.008]$
13P-18P	$\pm 0.25 [.010]$
19P-24P	$\pm 0.30 [.012]$

mat'l. code	surface ASME Y14.5 ✓	tolerance ASME Y14.5	projection	product family	TERMINAL BLOCK
ltr	ecn no	dr	date	tolerances unless otherwise specified	title
J				angles $X \pm 0.5 [.020]$	TERMINAL BLOCK PLUGABLE, PLUG, SIGNAL, ENTRYSIDE HOOK
				$X.X \pm 0.3 [.012]$	
				$X' \pm 1'$	$X.XX \pm 0.1 [.004]$
	dr	BEER FU	062509	scale	dwg no 20020008 sheet 3 of 5 size A4 type CUSTOMER Drawing
	enr	BEER FU	062509		
	chr	GARY HSIEH	062509		
	appd	JOSEPH HSIA	062509		
sheet index	revision sheet				

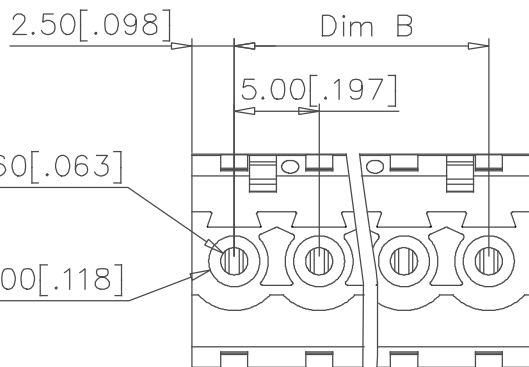
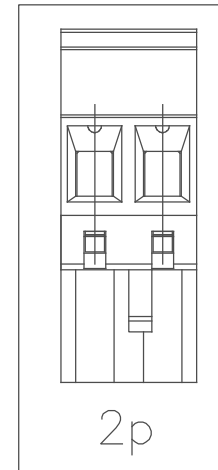
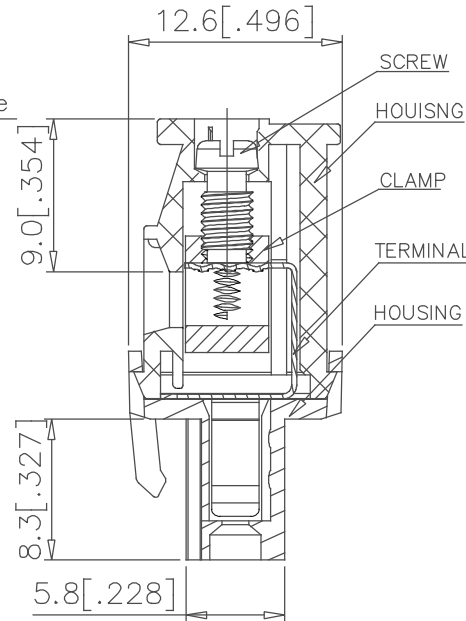
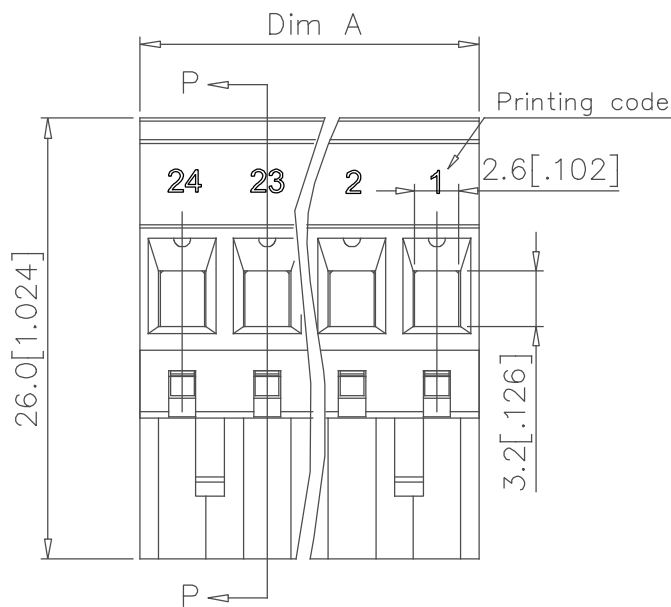
PRODUCT NUMBER	SERIES NAME	PITCH
20020008-GXXXXXL	02-500	5.00 mm



N= NUMBER OF POLES  
DIMENSION

Dim A	$N \times 5.0 [.197]$
Dim B	$(N-1) \times 5.0 [.197]$

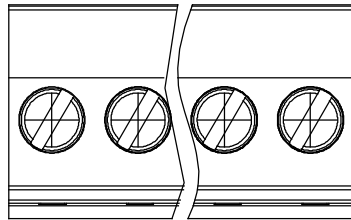
Poles	Tolerance
2P-6P	$\pm 0.15 [.006]$
7P-12P	$\pm 0.25 [.010]$
13P-18P	$\pm 0.30 [.012]$
19P-24P	$\pm 0.40 [.016]$



SECTION P-P

mat'l. code	surface ASME Y14.5 ✓	tolerance ASME Y14.5	projection	product family
ltr	ecn no	dr	date	title
J				TERMINAL BLOCK
				TERMINAL BLOCK
				PLUGABLE, PLUG, SIGNAL, ENTRYSIDE HOOK
				scale
				dwg no
				sheet 4 of 5 size
				20020008 A4
				type
				CUSTOMER Drawing
sheet index	revision sheet			

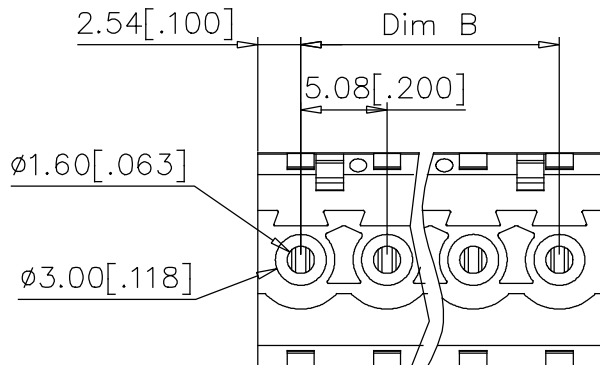
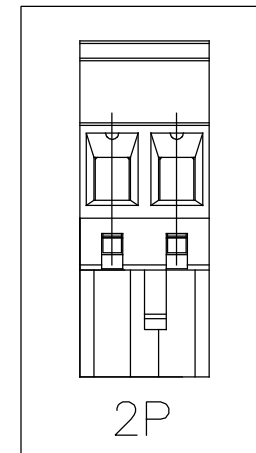
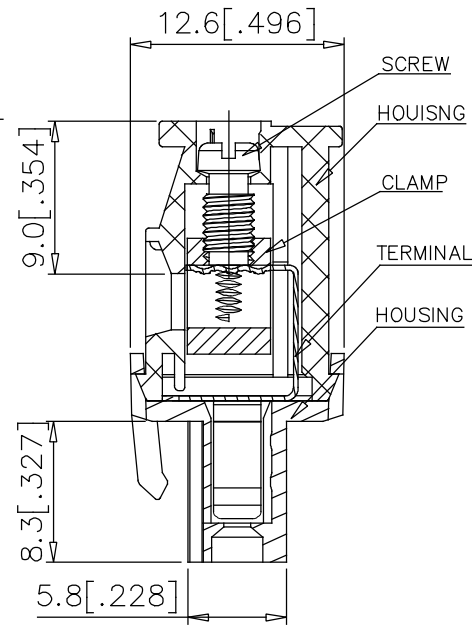
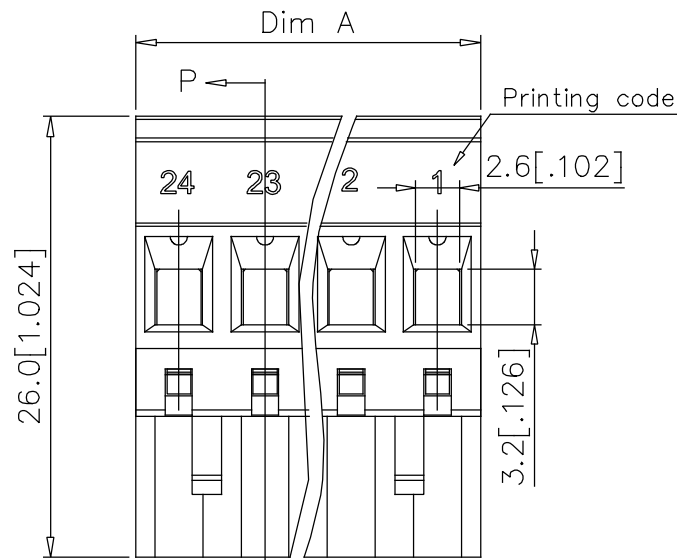
PRODUCT NUMBER	SERIES NAME	PITCH
20020008-HXXXXXLF	02-508	5.08 mm



N= NUMBER OF POLES  
DIMENSION

Dim A	Nx5.08[.200]
Dim B	(N-1)x5.08[.200]

Poles	Tolerance
2P-6P	±0.15[.006]
7P-12P	±0.25[.010]
13P-18P	±0.30[.012]
19P-24P	±0.40[.016]



SECTION P-P

mat'l. code	surface ASME Y14.5	tolerance ASME Y14.5	projection MM [INCH]	product family TERMINAL BLOCK					
ltr	ecn	no	dr	date	tolerances unless otherwise specified	title			
J					X. ±0.5[.020]	TERMINAL BLOCK PLUGABLE, PLUG, SIGNAL, ENTRYSIDE HOOK			
					X.X ±0.3[.012]				
					X'±1'	X.XX ±0.1[.004]	scale		
			dr	BEER FU	062509		dwg no	sheet 5 of 5	size
			enr	BEER FU	062509		20020008	A4	
			chr	GARY HSIEH	062509				
			appd	JOSEPH HSIA	062509			type	CUSTOMER Drawing
sheet index	revision sheet								

## X-ON Electronics

Largest Supplier of Electrical and Electronic Components

*Click to view similar products for [Pluggable Terminal Blocks](#) category:*

*Click to view products by [FCT Electronics](#) manufacturer:*

Other Similar products are found below :

[57.404.7553](#) [57.504.0053.7](#) [57.510.0053](#) [57.910.6153](#) [01.112.1453](#) [CTB932VE/6](#) [MC 1.5/ 6-ST-3.5 GY AU](#) [ET02015000J0G](#) [734-104](#) [734-302](#) [734-304](#) [8-141-P](#) [FKCT 2.5/ 3-ST KMGY](#) [860505](#) [860508](#) [860516](#) [860810](#) [861908](#) [GBPACX-12](#) [93.731.4953.0](#) [PV05-5,08-K](#) [PVP02-5,00](#) [PVP04-3,50](#) [PVS02-5,00](#) [1-1986160-3](#) [H-10](#) [1546228-5](#) [ELFH09150](#) [ELFH16150](#) [ELFP03110](#) [ELFT06250](#) [ELFT07250](#) [ELVF09400](#) [ELVP03100](#) [ELXH03100](#) [ELXH071G0E](#) [ELXP041G0](#) [ELXT046G0](#) [1700101](#) [1700410](#) [1700425](#) [1703176](#) [1705229](#) [1710175](#) [1714537](#) [1717806](#) [1719600](#) [1729386](#) [1734692](#) [1734795](#)