

Country of Origin : China
 Operating Temperature : 0~40 [°C]
 Dimension : 93 x 50 x 33 [mm]
 Efficiency level (ErP) :

VI



Approvals / Marks :



Specifications

| Model | Voltage DC [V] | Loading [A] | Max. Power [W] | Ripple / Noise [mV] p-p | Connector [mm] |
|-----------------|----------------|-------------|----------------|-------------------------|----------------|
| SYS1001-0703-T2 | 3,3 | 0~2.2 | 7.26 | 120 | 2.1x5.5x11 |
| SYS1001-1105-T2 | 5 | 0~2.1 | 10 | 120 | 2.1x5.5x11 |
| SYS1001-1108-T2 | 7,5 | 0~1.6 | 11 | 120 | 2.1x5.5x11 |
| SYS1001-0909-T2 | 9 | 0~1.33 | 9 | 120 | 2.1x5.5x11 |
| SYS1001-1212-T2 | 12 | 0~1.0 | 12 | 200 | 2.1x5.5x11 |
| SYS1001-1215-T2 | 15 | 0~0.8 | 12 | 200 | 2.1x5.5x11 |
| SYS1001-1218-T2 | 18 | 0~0.66 | 12 | 240 | 2.1x5.5x11 |
| SYS1001-1224-T2 | 24 | 0~0.5 | 12 | 240 | 2.1x5.5x11 |

Features

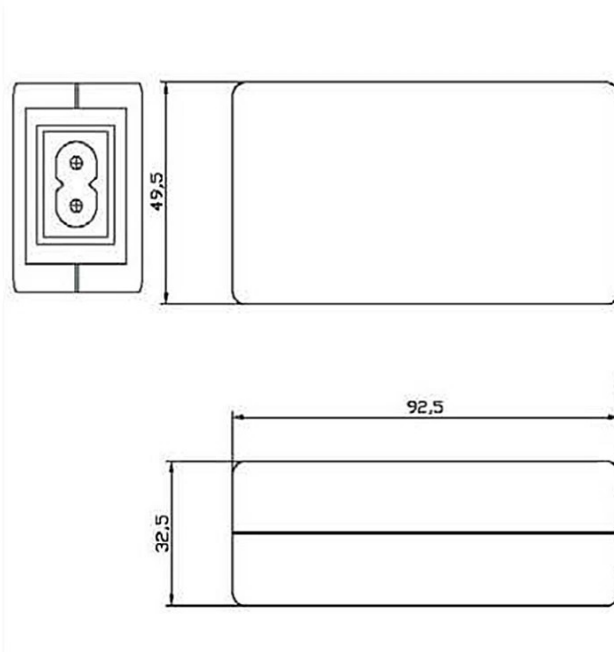
Available in inlet version: C7 (T2)

Output connector: standard: 2.1 x 5.5 x 11mm or customer requirement | Regulated Output With Low Ripple Noise | Safety Agency Requirements and EMI/EMS Certified

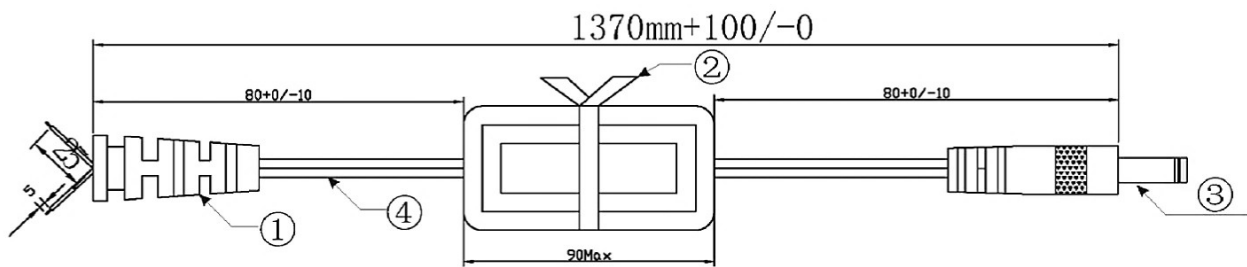
Private Label Marking Available | Modified and Custom Design Available | 2 Years Warranty

| OUTPUT | | CE | |
|-----------------------------------|-------------------------------------------------------------------------------------------------------------------------------------------------------------------------------------------------------------------------------------|----------------------------------------------------------|------------------------------------------------------------------|
| Turn delay | 3000ms max@AC low line input@output full load | EMC | 2014/30/EU |
| Hold up time | 8ms min@AC nominal input@output full load | LVD | 2014/35/EU EN 60950-1:2006+A11+A1+A12+A2 |
| Efficiency (Normal) | >80%@115v/60HZ,230V/50HZ input & Full load | SAFETY | |
| Transient response (dv,tmax) | 0.4V dv max At AC nominal input loading from 20%load to 80% load | cUL FCC GS CE CB RCM EAC BSMI PSE VCCI | |
| | 16ms tmax Dynamic rise time 10 us max,duty 40ms max,Dynamic load step is slew rate of 0.5A/us | OTHERS | |
| Power out.Limit | 12W | Dielectric Strength (Hi-pot) | I/P-O/P:3000VAC |
| Burn in limit | Full load 2 Hours | M.T.B.F | 500,000 Calculated Hours at 25°C, according to the MIL-HDBK-217F |
| Power consumption | 0.1W max. At AC nominal input@output min load | Cable Length | 1370mm (4.5 feet) standard cable or as required |
| INPUT | | PLD (power line disturbance) | Line power surge Line voltage SAG-more info on request |
| Voltage | (90~264)VAC | Cooling method | Natural Convection Cooling |
| Frequency | (47~63)hz | Housing material | PC + ABS |
| Current | 0.5A rms@AC low line input and DC output full load | Temperature coefficient: | <±0.5%/°C |
| Inrush Surge Current (cold start) | 30/40A max@power supply cold start,ambient temperature 25°C @115Vac/230Vac nominal AC input | ENVIRONMENT | |
| leakage current | 0.25mA Max | Temperature | Operating: 0~40°C / Storage: -20~-85°C |
| PROTECTION | | Humidity | Operating: 8%-90%RH / Storage: 5%-95% RH non condensing |
| Over current/ Short protection | The power supply will be auto recovered when over current or short circuit faults remove (fold back). Is defined as any output impedance of less than 0.1Ω.The power supply will be auto recovered when short circuit faults remove | WEIGHT | |
| Over Voltage | The power supply will not be auto recovered when faults remove 110%-150%. (Voltage limit) | NW: 98g/pc | |
| Input protection | F1:1A 250V Fuse The power supply shall be protected against power line surges and any abnormal condition | GW:115g/pc | |
| No Load protection | The power supply is provided with no load operation to prevent the power supply and system from damage. | PACKING | |
| Protection class | II | Box | 100 pcs/1 box |

Mechanical case specification:



Cable specification:



X-ON Electronics

Largest Supplier of Electrical and Electronic Components

Click to view similar products for [Desktop AC Adapters](#) category:

Click to view products by [Junction manufacturer](#):

Other Similar products are found below :

[YS50-1903150](#) [ADP-40KD BBBM](#) [DTA27-3X-W-5](#) [212A2136](#) [ADP485-01](#) [SWA-1202](#) [SWA-1501](#) [212A2220](#) [212A2220-02](#) [212A2220-04](#)
[FWE030015A-10A](#) [TRH100A135-02E12-Level-VI](#) [TRH100A180-11E13-Level-VI](#) [TRH100A240-01E13-Level-VI](#) [TRH100A280-01E13-](#)
[Level-VI](#) [TRH100A280-11E13-Level-VI](#) [TRH50A120-02E01-Level-VI](#) [TRH50A120-12E01-Level-VI](#) [TRH50A120-40E01-Level-VI](#)
[TRH50A150-12E12-Level-VI](#) [TRH50A180-11E03-Level-VI](#) [TRH50A240-02E03-Level-VI](#) [TRH70A120-11E01-Level-VI](#) [TRH70A150-](#)
[12E02-Level-VI](#) [TRH70A240-11E03-Level-VI](#) [416FG41017](#) [DTA27-0512FWX-W3](#) [TRH100A120-02E12-Level-VI](#) [TRH100A150-11E12-](#)
[Level-VI](#) [TRH100A180-02E13-Level-VI](#) [TRH100A240-02E13-Level-VI](#) [TRH100A240-36E13-Level-VI](#) [TRH100A280-12E13-Level-VI](#)
[TRH100A480-11E13-Level-VI](#) [TRH100A480-12E13-Level-VI](#) [TRH50A120-11E01-Level-VI](#) [TRH50A120-49E01-Level-VI](#) [TRH50A150-](#)
[11E02-Level-VI](#) [TRH50A150-12E02-Level-VI](#) [TRH70A120-01E01-Level-VI](#) [TRH70A480-02E03-Level-VI](#) [KR8-PS01](#) [1894875](#)
[FWE030012A-10A](#) [FWE050024B-10A](#) [820A4080G](#) [825A0052-03](#) [825A0057-03](#) [SWA-1704W](#) [AD5012N2LM-\(401\)](#)