

PRODUCT NUMBER
20020010-XXXXXXLF

20020010-□ □ □ □ 0 □ L F

PITCH
C: 3.50 mm
D: 3.81 mm
G: 5.00 mm
H: 5.08 mm

POLES
02: 2 POLES
03: 3 POLES
04: 4 POLES
24: 24 POLES

LF : NOTED RoHS COMPATIBLE

1 : STANDARD PRODUCT
W/ BOX PACKING

PROPERTY TABLE						
FCI SERIES NAME		02-350	02-381	02-500	02-508	
PITCH (mm)		3.50	3.81	5.00	5.08	
VOLTAGE RATING (VAC)		300	300	300	300	
CURRENT RATING (A)	cULus	8	8	12	12	
	VDE	10	10	NA	NA	
APPLICABLE WIRE RANGE (AWG)	1-WIRE	16~28	16~28	12~24	12~24	
	2-WIRE	20	20	18	18	
WIRE CROSS SECTION (mm ²)	SOLID	1-WIRE	1.5	1.5	2.5	2.5
		2-WIRE	0.5	0.5	1.0	1.0
	STRANDED	1-WIRE	1.5	1.5	2.5	2.5
		2-WIRE	0.75	0.75	1.5	1.5
OPENING CONTACT HOUSING(mm ²)		2.8x1.7	2.8x1.7	2.6x3.3	2.6x3.3	
WIRE STRIP LENGTH(mm)		6~7	6~7	6~7	6~7	
TORQUE +/-10% (N-m/Lb-in)		0.19/1.7	0.19/1.7	0.4/3.5	0.4/3.5	
SCREW		M2x0.4	M2x0.4	M3x0.5	M3x0.5	
WITHSTANDING VOLTAGE (kV)	cULus	1.6	1.6	1.6	1.6	
	VDE	2.5	2.5	NA	NA	
OPERATING TEMP. (°C)		-40~+115	-40~+115	-40~+115	-40~+115	
POLES AVAILABLE		02~24	02~24	02~24	02~24	
SAFETY CERTIFICATE						

SCREW CODE

CODE	SCREW TYPE	AVAILABILITY
A	-/+	ON REQUEST ONLY
B	-	STANDARD

HOUSING CODE

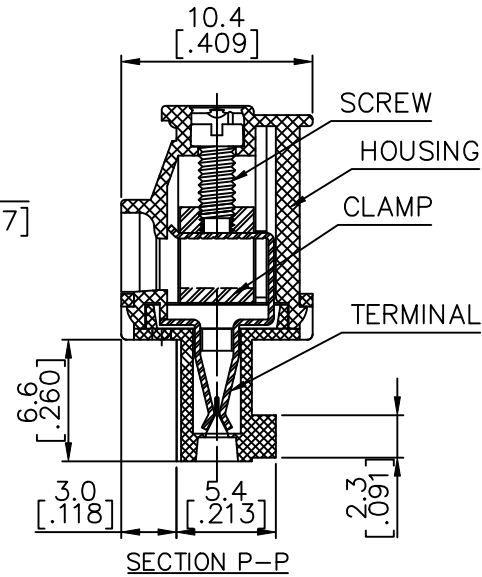
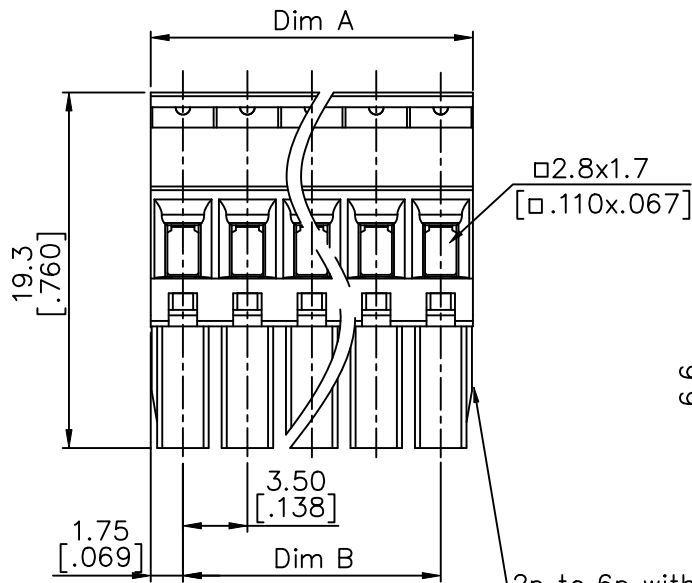
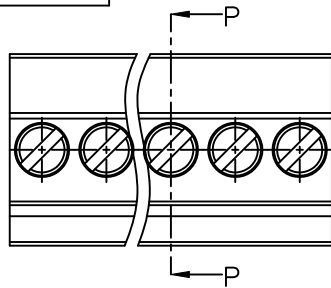
CODE	COLOR	AVAILABILITY
1	GREEN(RAL 6018/T)	STANDARD
2	BLACK	ON REQUEST ONLY
3	GREY(RAL 7004/P)	ON REQUEST ONLY
4	BLUE(RAL 5015/A)	ON REQUEST ONLY

NOTES:

- MATERIALS
1-1 HOUSING: THERMALPLASTIC RESIN, UL 94V-0 RATED.
1-2 SCREW: STEEL, ZINC PLATED.
1-3 CLAMP: COPPER ALLOY, NICKEL PLATED.
1-4 TERMINAL: COPPER ALLOY, TIN PLATED.
- PRODUCT SPECIFICATION REFER TO FCI GS-12-625.
- PRODUCT PACKING SPECIFICATION REFER TO FCI GS-14-1394.
- FCI, SAFETY CERTIFICATE LOGO AND SERIES NAME TO BE SHOWN ON PRODUCT SURFACE.
- THE PRODUCTS WHERE THE PART NUMBER END IN "LF" MEET THE EUROPEAN UNION DIRECTIVE AND OTHER COUNTRY REGULATIONS AS DESCRIBED IN GS-22-008.

mat'l. code				surface ASME Y14.5 ✓	tolerance ASME Y14.5	projection 	product family TERMINAL BLOCK
ltr	ecn no	dr	date	tolerances unless otherwise specified			title
A	T10-0029	JH	120909	angles	X.±0.5		TERMINAL BLOCK
B	T10-0042	WL	030310	to 1°	X.X±0.3		PLUGGABLE PLUG, BACK SIDE HOOK
C	T10-0082	WL	080510	X'±1'	X.XX±0.1	scale	dwg no
D	T10-0158	WL	100410	dr	JASON HSU	120909	sheet 1 of 5 size
E	T11-0013	WL	040811	enr	JASON HSU	120909	
F	T-005908	WL	091311	chr	GARY HSIEH	120909	
				appd	JOSEPH HSIA	120909	A4
				type			CUSTOMER Drawing
sheet index	revision	F	F	F	F	F	
	sheet	1	2	3	4	5	

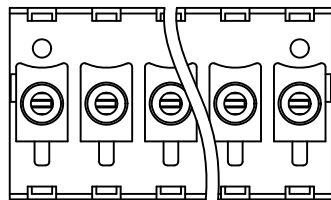
PRODUCT NUMBER	SERIES NAME	PITCH
20020010-CXXXXXXLF	02-350	3.50 mm



N = Number of poles
 Dim A = $N \times 3.5$ [.138]
 Dim B = $(N-1) \times 3.5$ [.138]

POLES	TOLERANCE
2-6p	±0.15 [.006]
7-12p	±0.20 [.008]
13-18p	±0.25 [.010]
19-24p	±0.30 [.012]

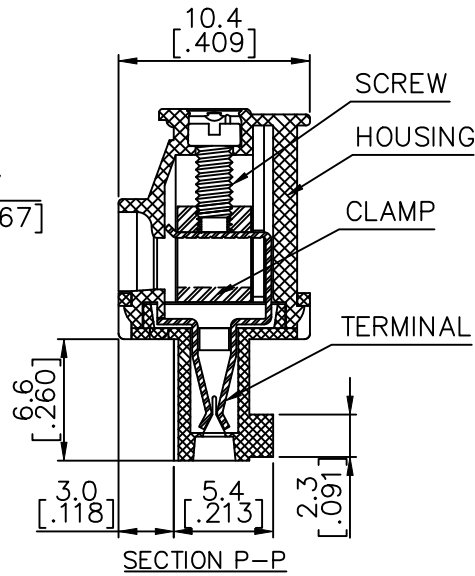
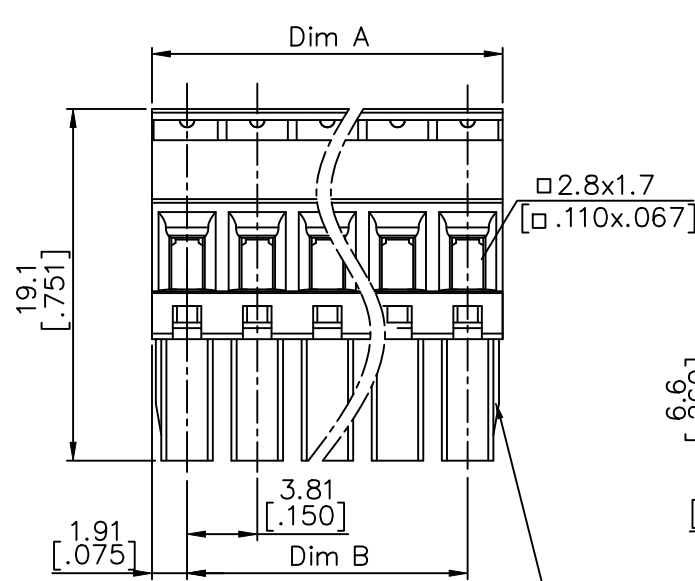
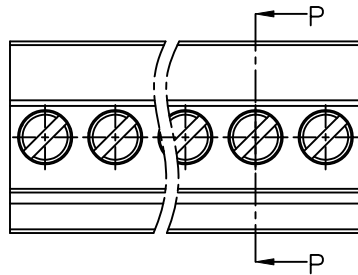
2p to 6p with wedge, above 7p without wedge (including 7p)



mat'l. code	surface ASME Y14.5 ✓	tolerance ASME Y14.5	projection 	product family TERMINAL BLOCK
ltr	ecn no	dr	date	title
F				TERMINAL BLOCK PLUGGABLE PLUG, BACK SIDE HOOK
	angles	tol	scale	dwg no
	X°±1'	X.X±0.3	MM [INCH]	20020010
		X.XX±0.1	scale	sheet 2 of 5 size
	dr	JASON HSU	120909	A4
	enr	JASON HSU	120909	
	chr	GARY HSIEH	120909	
	appd	JOSEPH HSIA	120909	
sheet index	revision sheet			type CUSTOMER Drawing



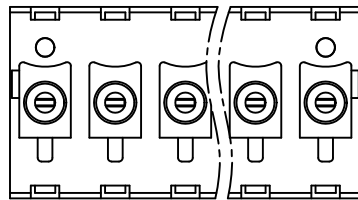
PRODUCT NUMBER	SERIES NAME	PITCH
20020010-DXXXXXXLF	02-381	3.81 mm



N = Number of poles
 Dim A = N x 3.81 [.150]
 Dim B = (N-1) x 3.81 [.150]

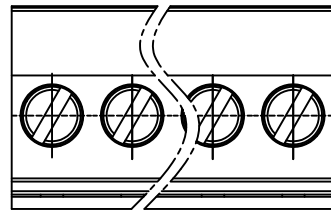
POLES	TOLERANCE
2-6p	±0.15 [.006]
7-12p	±0.20 [.008]
13-18p	±0.25 [.010]
19-24p	±0.30 [.012]

2p to 6p with wedge, above 7p without wedge (including 7p)



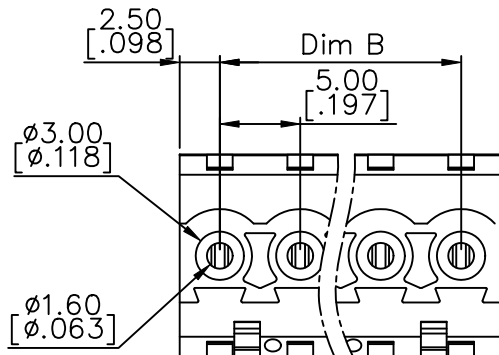
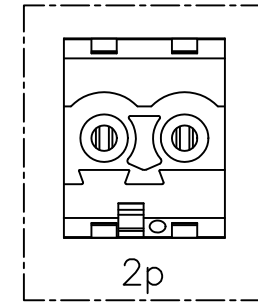
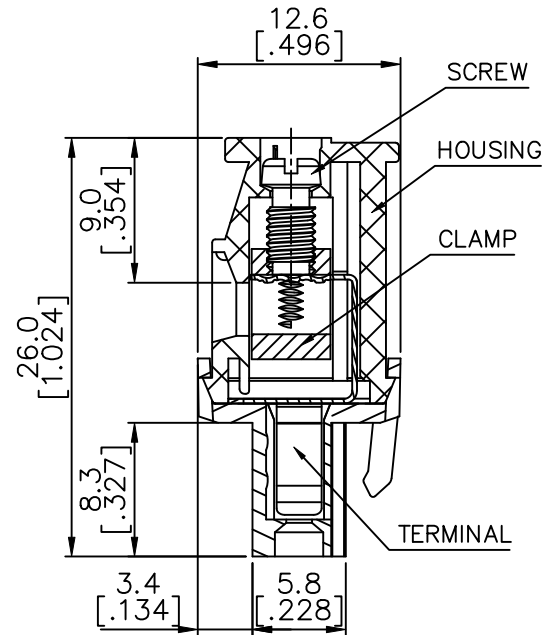
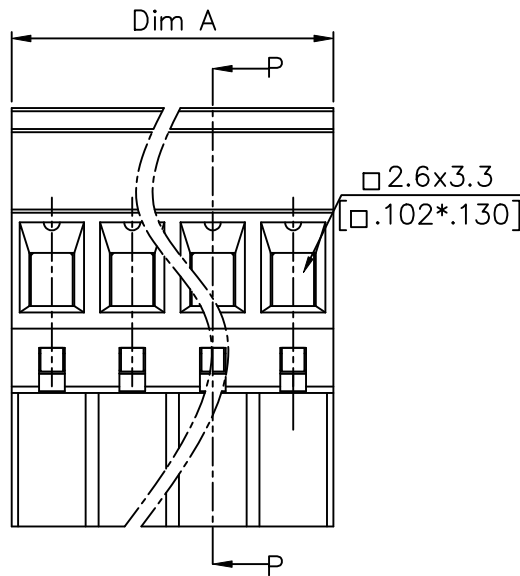
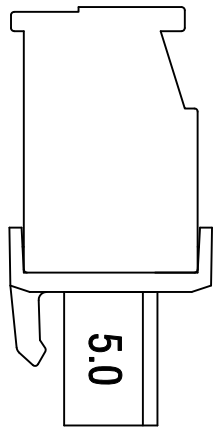
mat'l. code		surface ASME Y14.5 ✓	tolerance ASME Y14.5	projection ⊕	product family TERMINAL BLOCK
ltr	ecn no	dr	date	title	
F				TERMINAL BLOCK PLUGGABLE PLUG, BACK SIDE HOOK	
			angles X ± 1°	MM [INCH]	scale
			tolerances unless otherwise specified		
		dr	JASON HSU 120909	dwg no sheet 3 of 5 size	
		enr	JASON HSU 120909	20020010 A4	
		chr	GARY HSIEH 120909	type CUSTOMER Drawing	
		appd	JOSEPH HSIA 120909		
sheet index	revision sheet				

PRODUCT NUMBER	SERIES NAME	PITCH
20020010-GXXXXXL	02-500	5.00 mm



N = Number of poles
 Dim A = N x 5.0 [.197]
 Dim B = (N - 1) x 5.0 [.197]

POLES	TOLERANCE
2-6p	±0.15 [.006]
7-12p	±0.25 [.010]
13-18p	±0.30 [.012]
19-24p	±0.40 [.016]



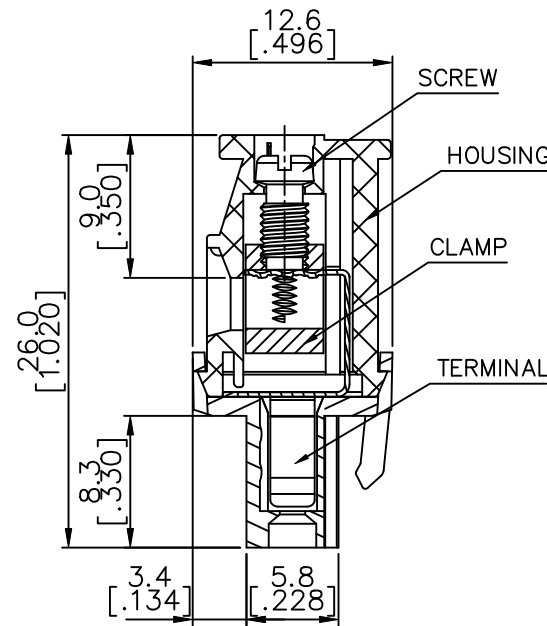
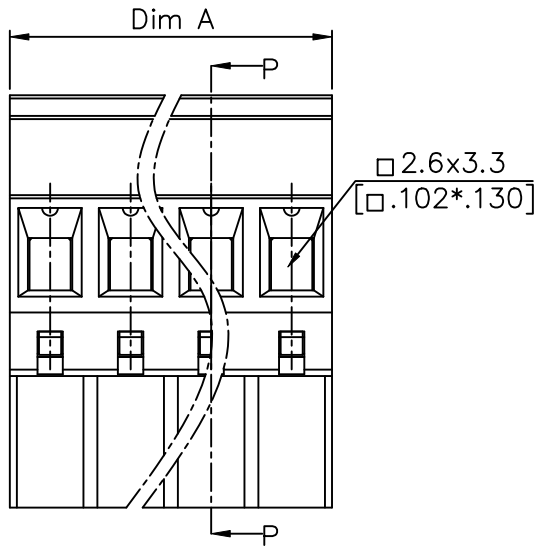
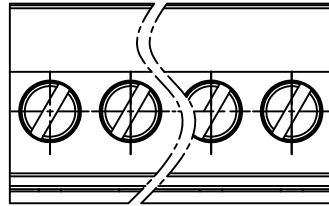
SECTION P-P

mat'l. code		surface ASME Y14.5	tolerance ASME Y14.5	projection	product family TERMINAL BLOCK
ltr	ecn no	dr	date	tolerances unless otherwise specified	title
F				angles X±1°	TERMINAL BLOCK PLUGGABLE PLUG, BACK SIDE HOOK
				scale	dwg no 20020010
		dr	JASON HSU 120909		sheet 4 of 5 size A4
		enr	JASON HSU 120909		CUSTOMER Drawing
		chr	GARY HSIEH 120909		
		appd	JOSEPH HSIA 120909		
sheet index	revision sheet				

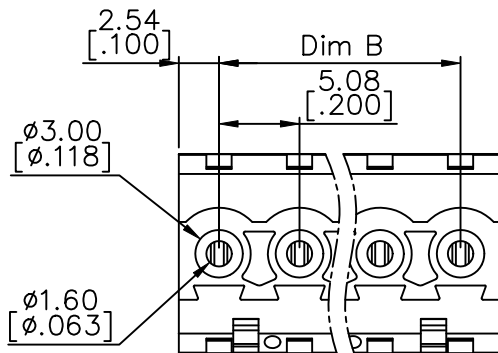
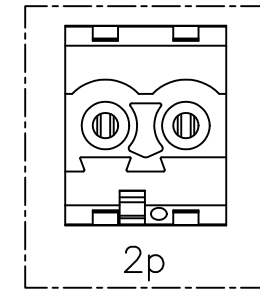
PRODUCT NUMBER	SERIES NAME	PITCH
20020010-HXXXXXXLF	02-508	5.08 mm

N = Number of poles
 Dim A = $N \times 5.08$ [.200]
 Dim B = $(N-1) \times 5.08$ [.200]

POLES	TOLERANCE
2-6p	± 0.15 [.006]
7-12p	± 0.25 [.010]
13-18p	± 0.30 [.012]
19-24p	± 0.40 [.016]



SECTION P-P



mat'l. code		surface ASME Y14.5	tolerance ASME Y14.5	projection 	product family TERMINAL BLOCK
ltr	ecn no	dr	date	title TERMINAL BLOCK PLUGGABLE PLUG, BACK SIDE HOOK	
F				angles X°±1'	tolerances unless otherwise specified
				vertical line	X.±0.5
				horizontal line	X.X±0.3
					X.XX±0.1
		dr	JASON HSU 120909	scale MM [INCH]	dwg no 20020010
		enr	JASON HSU 120909		sheet 5 of 5 size A4
		chr	GARY HSIEH 120909		type CUSTOMER Drawing
		appd	JOSEPH HSIA 120909		
sheet index	revision sheet				

X-ON Electronics

Largest Supplier of Electrical and Electronic Components

Click to view similar products for [Pluggable Terminal Blocks](#) category:

Click to view products by [FCT Electronics](#) manufacturer:

Other Similar products are found below :

[57.404.7553](#) [57.504.0053.7](#) [57.510.0053](#) [57.910.6153](#) [01.112.1453](#) [CTB932VE/6](#) [MC 1.5/ 6-ST-3.5 GY AU](#) [ET02015000J0G](#) [734-104](#) [734-302](#) [734-304](#) [8-141-P](#) [FKCT 2.5/ 3-ST KMGY](#) [860505](#) [860508](#) [860516](#) [860810](#) [861908](#) [GBPACX-12](#) [93.731.4953.0](#) [PV05-5,08-K](#) [PVP02-5,00](#) [PVP04-3,50](#) [PVS02-5,00](#) [1-1986160-3](#) [H-10](#) [1546228-5](#) [ELFH09150](#) [ELFH16150](#) [ELFP03110](#) [ELFT06250](#) [ELFT07250](#) [ELVF09400](#) [ELVP03100](#) [ELXH03100](#) [ELXH071G0E](#) [ELXP041G0](#) [ELXT046G0](#) [1700101](#) [1700410](#) [1700425](#) [1703176](#) [1705229](#) [1710175](#) [1714537](#) [1717806](#) [1719600](#) [1729386](#) [1734692](#) [1734795](#)