

Country of Origin : China
 Operating Temperature : 0~40 [°C]
 Dimension : 72.5 x 34 x 45 [mm]
 Efficiency level (ErP) :
 Approvals / Marks :



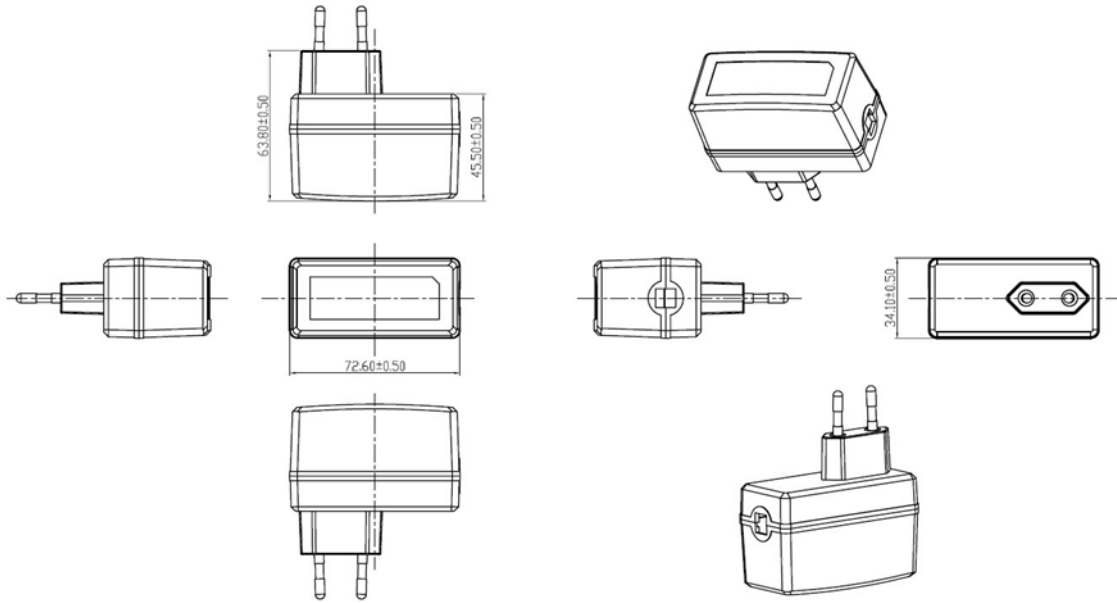
Features:

Wall-mount power supply, single output.	PSU housing ready for use in country :	
Overload, over voltage & short protection.	USA (type W2)	Europe (type W2E)
For I.T.E. use only + RoHS conform.	Australia (type W2A)	China (type W2C)
Wide range Input (90 ~ 264) VAC / (47 ~ 63) Hz.	UK (type W3U)	

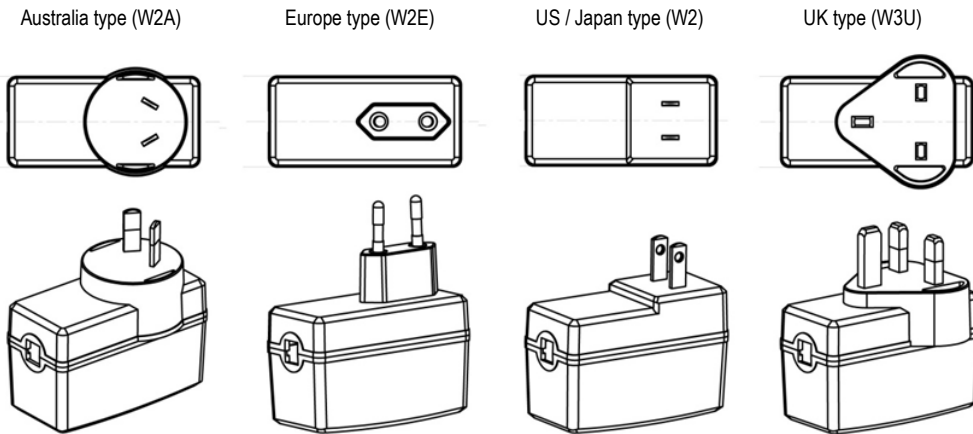
Specification:

	Model	Voltage DC [V]	Min. Load [A]	Max. Load [A]	Total regul. [%]	OCP [A]	OVP max [V]	Max. Power [W]	Eff. [%]	Ripple & Noise [mV] p-p	Connector UL approval [mm]
ErP V.	SYS1449-1505-Wxx	5	0	3	±5	3.4~7.0	9	15	>76	200	2.1x5.5x11
	SYS1449-1505-Wxx	5	0	3	±5	3.4~7.0	9	15	>76	200	0.7x2.35x11-L
	SYS1449-2005-Wxx	5	0	4	±5	4.4~8.0	9	20	>78	200	2.1x5.5x11
OEP Production	This model is certified for upon models only. Uout=5V / Pout=15W or 20W										
Wxx	Possible to order with	Wxx = W2E - Europe W2 - USA,Canada,Japan W3U - UK W2A - Australia W2C - China									
OUTPUT	Turn on delay	5000 ms max @ AC low line input@output full load									
	Hold up time	8ms min @ AC nominal input@ output full load (> half cycle)									
	Efficiency (Normal)	Minimum average efficiency in active mode									
	Transient response (dv, tmax)	1.2 dv max At AC nominal input loading from 50% load to max load or peak load. 12ms t max Dynamic rise time 10uS max , duty 40mS max , Dynamic load step is slew rate of 0.5A/uS									
	Overshoot / Undershoot (δV , δT)	more information will be provide on request									
	Burn in test	Full load 2 Hours									
INPUT	Voltage	(90 ~ 264)VAC									
	Frequency	(47 ~ 63) Hz									
	Current	0.5A rms @ AC low line input and DC output full load									
	Inrush Surge Current (cold start)	60A max @ At power supply cold start, ambient temperature 25°C@230Vac nominal AC input.									
	Leakage current	0.25 mA Max.									
	Power consumption	<0.3W rms max. At AC nominal input@output min load									
PROTECTION	Over Current / Short protection (OCP)	The power supply will self-protect any output to ground, And auto recovery when abnormal circuit faults remove. An output short circuit is defined as any output impedance of less than 0.1 ohms. Short current and over current can not exceed 8A max after 1 min. at nominal line input.									
	Over Voltage (OVP)	The power supply will not be auto recovered when faults remove >>Voltage limit<<									
	Input protection	1A Fuse - The power supply shall be protected against power line surges and any abnormal condition.									
	No load protection	The power supply is provided with no load operation to prevent the power supply and system from damage.									
	Protection class	II.									
	-	-									
OTHERS	Dielectric Strength (Hi-pot)	Primary to Secondary: 3000VAC / 10mA / 60s									
	M.T.B.F	50K hours full rated load operation at 40 °C , according to the MIL-HDBK-217F.									
	Cable length and type	1500mm (5feet) round cable, 1185#18*1C+SHIELD or depends on customer requirements									
	PLD (power line disturbance)	LINE POWER SURGE LINE VOLTAGE SAG – more information will be provide on request									
	Cooling method	By natural air									
	Housing material	PC or PPO									
	Temperature coefficient:	< ±0.5% / °C									
ENVIRONMENT	Temperature	Operating: (0 ~ 40)°C / Storage: (-20 ~ 85)°C									
	Humidity	Operating: 8% ~ 90% RH / Storage: 5% ~ 95% RH non condensing									
SAFETY	CE TUV/GS CB FCC cULus PSE BSMI										
	EMC	Meet EN55022 class B, Fcc part 15 Sub part B class B. EN 60950-1:2006+A11 LVD2006/95/EC IEC 60950-1:2005									
	WEIGHT	1pc	N.W.: 139g / pc G.W.: 155g / pc 0.38(L) x 0.44(W) x 0.23(H) [m]								
PACKING	Box	80 pcs / 1box									
		N.W.: 11.2kg/box G.W.: 13.4 kg/box									

Mechanical case specification:

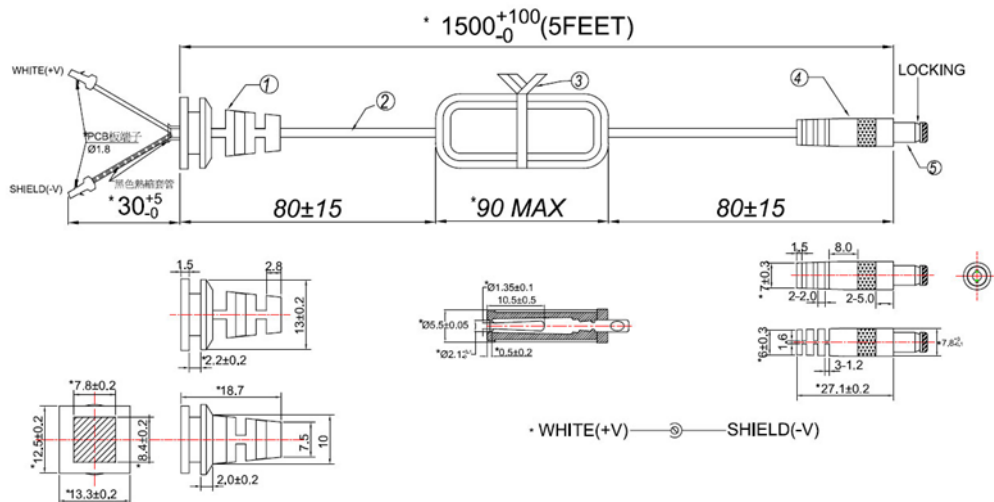


Mechanical specification (country housing):



Cable specification:

1185#18*1C+shield / 5FT (1500mm)



X-ON Electronics

Largest Supplier of Electrical and Electronic Components

Click to view similar products for [Wall Mount AC Adapters](#) category:

Click to view products by [Sunny](#) manufacturer:

Other Similar products are found below :

[76000738](#) [76000756-B10](#) [ADP-163 E](#) [ADP-159 A](#) [PSAC05A-050L6](#) [RLMDT361800](#) [TE30A1803F01](#) [0650-00005](#) [P25A14E-R1C](#) [SWI24-12-N-P6R](#) [SWI24-24-N-ST](#) [TRH25033-A-02E01-Level-VI](#) [DA5-050US-B](#) [DA5-050UK-B](#) [RLMDT701800](#) [76000756](#) [DA5-050EU-B](#) [WSU120-2000-R13](#) [5V1A-USB](#) [AC-DC ADAPTER 160W](#) [WSU120-2000-13](#) [WSU150-0800-13](#) [76000980](#) [WSU075-3200-13](#) [WSU090-2500-13](#) [WSU050-2000-R13](#) [WSU240-1000-13](#) [WSU090-3500-R13](#) [WSU075-1500-13](#) [WSU050-3000-13](#) [WSU135-1330-13](#) [WSU045-1500-13](#) [WSU090-2500-R13](#) [WSU240-1500-13](#) [WSU180-0660-13](#) [WSU075-1500-R13](#) [WSU090-1300-13](#) [WSU180-1330-R13](#) [NTPS-24-TT-700](#) [BB-SMI1812VP230C1](#) [WSU150-1600-13](#) [WSU050-1500-13](#) [WSU090-0800-13](#) [WSU180-0450-13](#) [WSU150-0560-R13](#) [WSU135-0880-13](#) [WSU120-3000-13](#) [WSU120-1000-R13](#) [WSU090-1300-R13](#) [WSU060-4000-13](#)