

Country of Origin : China
 Operating Temperature : 0~40 [°C]
 Dimension : 40 x 35x 33 [mm]
 AC Plugs: EU, UK, USA/Japan, Australia, China

Efficiency level :

Approvals / Marks :



Features:

Dual USB inlet charger with Exchangeable AC Plugs.

Wide range Input (90 ~ 264) VAC / (47 ~ 63) Hz.

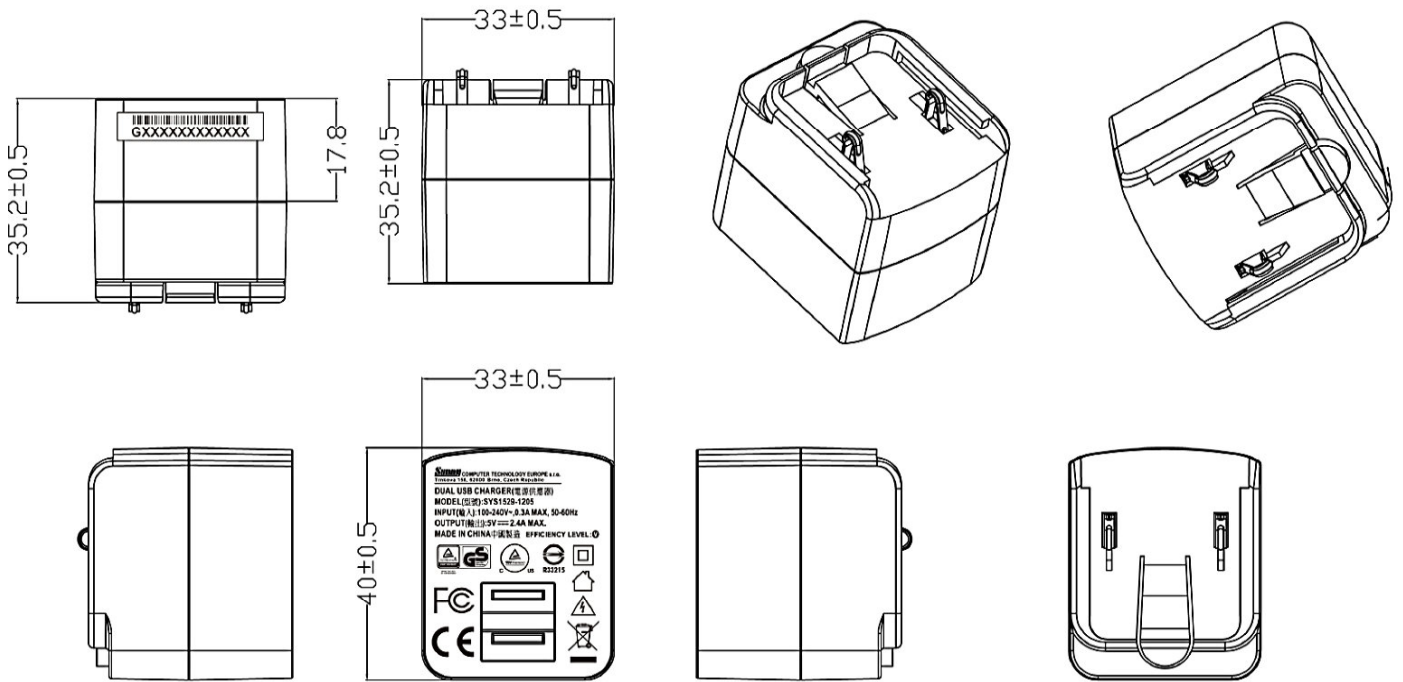
Customer can choose one or more from 5 AC plugs Wxx* (W2 - USA,Canada,Japan | W2A - Australia | W2C - China | W2E - Europe | W3U - England).

Output connector: dual USB inlet

Specification:

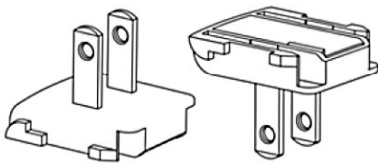
ErP V.	Model	Voltage DC [V]	Efficiency [%]	OCP [A]	OVP [V]	Max. Power [W]	Ripple & Noise [mV]p-p max.	Connector [mm]
	SYS1529-1205	5.0	75	2.5-3.0	max 10V	12	250	USB inlet
note	Max load: 2.4A if 1 USB port is used / 1.2A if 2 USB ports are used							
INPUT	Voltage	(90 ~ 264) VAC						
	Frequency	(47 ~ 63) Hz						
	Current	0.3 A at AC low line input and DC output full load						
	Input surge current	40A/60A max at power supply cold start, ambient temperature 25°C @ 115Vac/230Vac nominal AC input.						
	Power Efficiency	74.74% minimum average efficiency in active mode (Meet CEC V)						
PROTECTION	Over Current	The power supply will self-protect any output to ground.						
	Over Voltage	The power supply will not be auto recovered when faults remove 110%-150%. (Voltage limit)						
	Short Circuit	Is defined as any output impedance of less than 0.1Ω. The power supply will be auto recovered when short circuit faults remove.						
OUTPUT	Line regulation	-9 % / +5%						
	Hold up time	0.3ms min At AC nominal input@ output full load						
	Standby Power	0.3W max.						
	Cooling	Free air convection						
	M.T.B.F.	50K hours full rated load operation at 25°C, according to the MIL-HDBK-217F.						
	Withstand Voltage	I/P-O/P: 3000VAC						
ENVIRONMENT	Temperature	Operating: (0 ~ 40)°C / Storage: (-20 ~ 85)°C						
	Humidity	Operating: (8 ~ 90)% RH / Storage: (5 ~ 95)% RH						
SAFETY	CB FCC CE cTUVus TUV/GS BSMI							
EMC	EMI	Meet EN55022 class B, Fcc part 15 Sub part B class B.						
	EMS	TBA						
WEIGHT	1pc	N.W.: 34g / pcs + plug						
PACKING	Box	0.455 x 0.390x 0.200 [m]						
		400pcs / 1box						
		G.W.: 19kg / box						

Mechanical case specification:

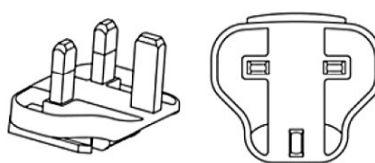


Mechanical specification (country housing):

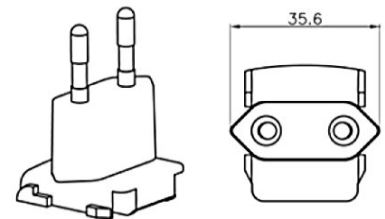
US / Japan type (W2)



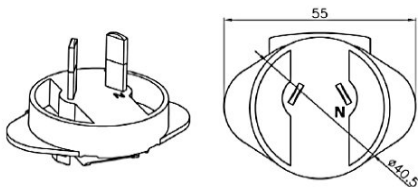
UK type (W3U)



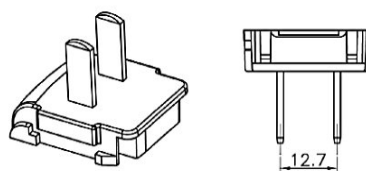
Europe type (W2E)



Australia type (W2A)



China type (W2C)



X-ON Electronics

Largest Supplier of Electrical and Electronic Components

Click to view similar products for [Wall Mount AC Adapters](#) category:

Click to view products by [Sunny](#) manufacturer:

Other Similar products are found below :

[76000738](#) [76000756-B10](#) [ADP-163 E](#) [ADP-159 A](#) [PSAC05A-050L6](#) [RLMDT361800](#) [TE30A1803F01](#) [0650-00005](#) [P25A14E-R1C](#) [SWI24-12-N-P6R](#) [SWI24-24-N-ST](#) [TRH25033-A-02E01-Level-VI](#) [DA5-050US-B](#) [DA5-050UK-B](#) [RLMDT701800](#) [76000756](#) [DA5-050EU-B](#) [WSU120-2000-R13](#) [5V1A-USB](#) [AC-DC ADAPTER 160W](#) [WSU120-2000-13](#) [WSU150-0800-13](#) [76000980](#) [WSU075-3200-13](#) [WSU090-2500-13](#) [WSU050-2000-R13](#) [WSU240-1000-13](#) [WSU090-3500-R13](#) [WSU075-1500-13](#) [WSU050-3000-13](#) [WSU135-1330-13](#) [WSU045-1500-13](#) [WSU090-2500-R13](#) [WSU240-1500-13](#) [WSU180-0660-13](#) [WSU075-1500-R13](#) [WSU090-1300-13](#) [WSU180-1330-R13](#) [NTPS-24-TT-700](#) [BB-SMI1812VP230C1](#) [WSU150-1600-13](#) [WSU050-1500-13](#) [WSU090-0800-13](#) [WSU180-0450-13](#) [WSU150-0560-R13](#) [WSU135-0880-13](#) [WSU120-3000-13](#) [WSU120-1000-R13](#) [WSU090-1300-R13](#) [WSU060-4000-13](#)