



PRODUCT NUMBER  
20020038-XXXXXXLF

20020038-□ □ □ □ B 0 □ L F

PITCH

G: 5.00 mm  
H: 5.08 mm

POLES

02: 2 POLES  
03: 3 POLES  
.....  
24: 24 POLES

LF : DENOTED RoHS COMPATIBLE

1 : STANDARD PRODUCT  
W/ BOX PACKING

HOUSING CODE

CODE	COLOR	AVAILABILTY
1	GREEN(RAL 6018/T)	STANDARD
2	BLACK	ON REQUEST ONLY
3	GREY(RAL 7004/P)	ON REQUEST ONLY
4	BLUE(RAL 5015/A)	ON REQUEST ONLY

PROPERTY TABLE			
FCI SERIES NAME		35-500	35-508
PITCH (mm)		5.00	5.08
VOLTAGE RATING (VAC)		300	300
CURRENT RATING (A)		10	10
APPLICABLE WIRE RANGE (AWG)	1-WIRE	12~26	12~26
	2-WIRE	NA	NA
WIRE CROSS SECTION (mm <sup>2</sup> )	SOLID	1-WIRE	2.5
		2-WIRE	NA
	STRANDED	1-WIRE	2.5
		2-WIRE	NA
OPENING CONTACT HOUSING(mm <sup>2</sup> )		2.4x3.0	2.2x3.0
WIRE STRIP LENGTH(mm)		8~9	8~9
WITHSTANDING VOLTAGE (kV)		1.6	1.6
OPERATING TEMP. (°C)		-40~+115	-40~+115
POLES AVAILABLE		02~24	02~24
SAFETY CERTIFICATE			

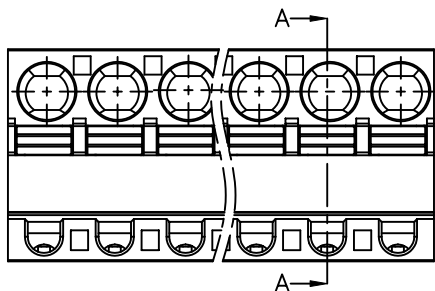
NOTES:

- MATERIALS
  - 1-1 HOUSING: THERMALPLASTIC RESIN, UL 94V-0 RATED.
  - 1-2 INSULATING LEVER: THERMALPLASTIC RESIN, UL 94V-0 RATED.
  - 1-3 WIRE GUARD : STAINLESS STEEL.
  - 1-4 TERMINAL: COPPER ALLOY, TIN PLATED.
- PRODUCT SPECIFICATION REFER TO FCI GS-12-625.
- PRODUCT PACKING SPECIFICATION REFER TO FCI GS-14-1394.
- FCI, SAFETY CERTIFICATE LOGO AND SERIES NAME TO BE SHOWN ON PRODUCT SURFACE.
- THE PRODUCTS WHERE THE PART NUMBER END IN "LF" MEET THE EUROPEAN UNION DIRECTIVE AND OTHER COUNTRY REGULATIONS AS DESCRIBED IN GS-22-008.

mat'l. code				surface ASME Y14.5	tolerance ASME Y14.5	projection	product family TERMINAL BLOCK
ltr	ecn no	dr	date	tolerances unless otherwise specified			title
A	T11-0004	WL	011811	angles	X.±0.5	MM INCH	TERMINAL BLOCK PLUGGABLE SIGNAL PLUG, DOWNSIDE CONTACT WITHOUT FLANGE
B	T-005306	WL	082311	X°±1'	X.XX±0.1		
				dr	WENDY CHEN	122710	dwg no
				enrg	JASON HSU	122710	sheet 1 of 3
				chr	JASON HSU	122710	size
				appd	JASON HSU	122710	20020038
							A4
				scale			type
							CUSTOMER Drawing
sheet index	revision sheet	B	B	B	B	B	
		1	2	3			

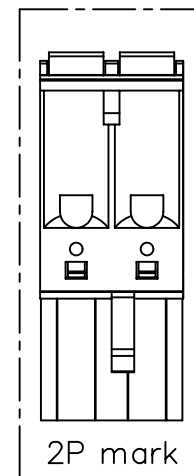
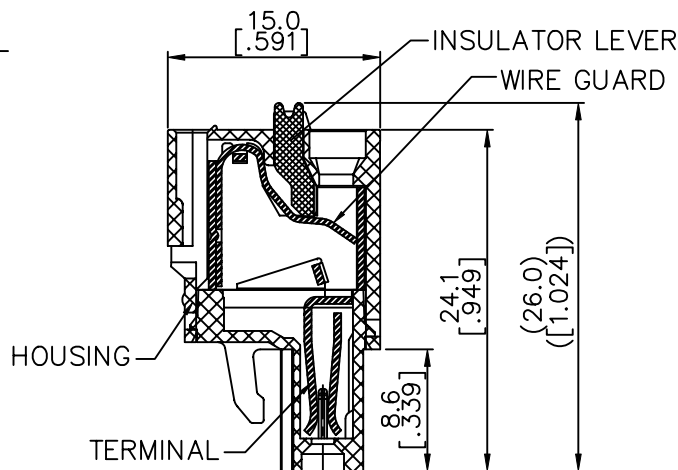
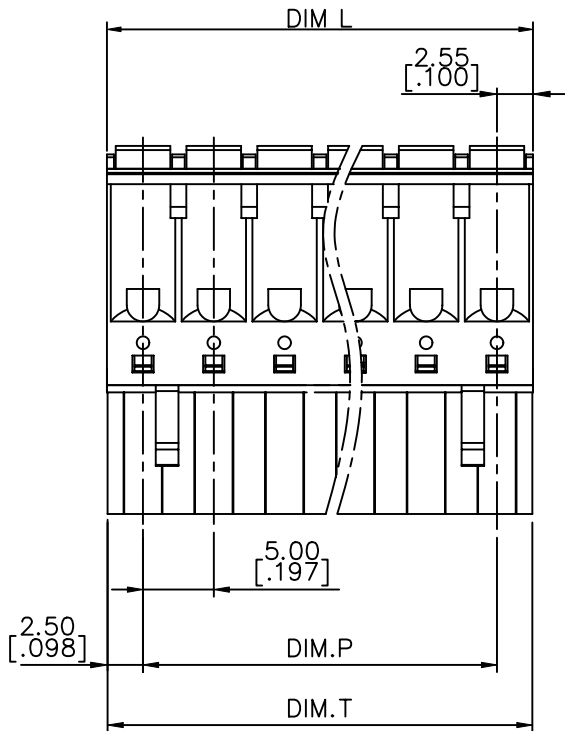


PRODUCT NUMBER	SERIES NAME	PITCH
20020038-GXXXXXLF	35-500	5.00 mm



N = Number of poles  
 DIM. L = (N x 5.0 [.197]) + 0.1 [.004]  
 DIM. P = (N - 1) x 5.0 [.197]  
 DIM. T = N x 5.0 [.197]

POLES	Dim.L & P & T
2-6p	±0.15 [.006]
7-12p	±0.20 [.008]
13-18p	±0.25 [.010]
19-24p	±0.30 [.012]

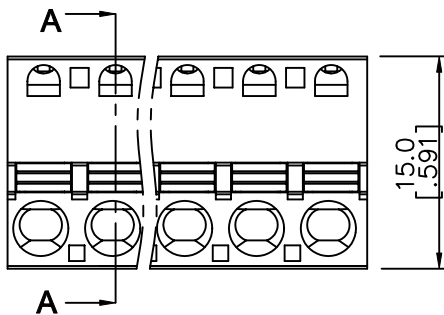


mat'l. code		surface ASME Y14.5 ✓	tolerance ASME Y14.5	projection [Symbol]	product family TERMINAL BLOCK
ltr	ecn no	dr	date	title TERMINAL BLOCK PLUGGABLE SIGNAL PLUG, DOWNSIDE CONTACT WITHOUT FLANGE	
B				angles X ± 0.5 X.X ± 0.3 X.XX ± 0.1	scale MM [INCH]
		dr	WENDY CHEN	122710	dwg no
		enr	JASON HSU	122710	sheet 2 of 3
		chr	JASON HSU	122710	20020038
		appd	JASON HSU	122710	A4
sheet index	revision sheet				type CUSTOMER Drawing



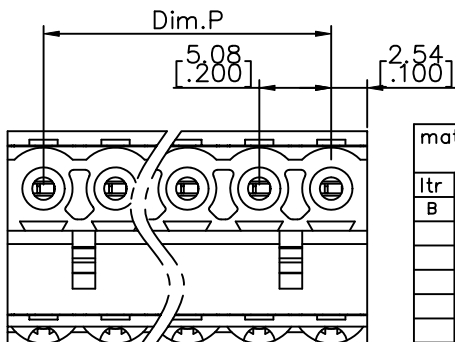
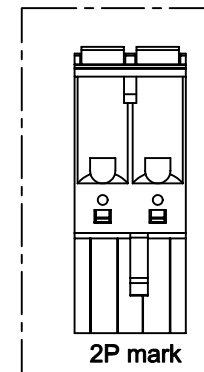
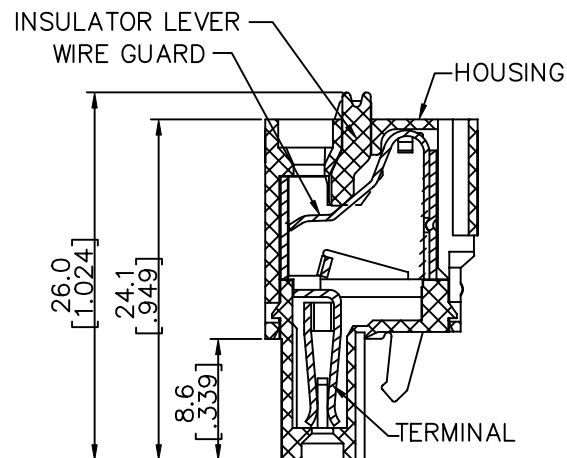
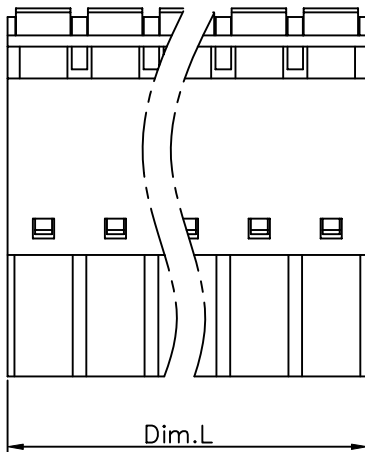
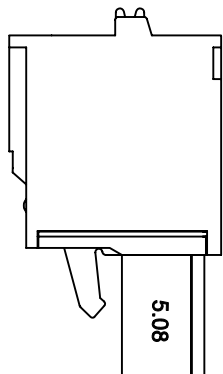


PRODUCT NUMBER	SERIES NAME	PITCH
20020038-HXXXXXLF	35-508	5.08 mm



N = Number of poles  
 DIM. L=(N×5.08 [.200])  
 DIM. P=(N-1)×5.08 [.200]

POLES	DIM. L & P
2-6p	±0.15 [.006]
7-12p	±0.25 [.010]
13-18p	±0.30 [.012]
19-24p	±0.40 [.016]



mat'l. code		surface ASME Y14.5 ✓	tolerance ASME Y14.5	projection 	product family TERMINAL BLOCK
ltr	ecn no	dr	date	tolerances unless otherwise specified	
B				angles X±0.5	title TERMINAL BLOCK PLUGGABLE SIGNAL PLUG, DOWNSIDE CONTACT WITHOUT FLANGE
				X.X±0.3	
				X°±1'	X.XX±0.1
		dr	WENDY CHEN	122710	scale
		enr	JASON HSU	122710	
		chr	JASON HSU	122710	
		appd	JASON HSU	122710	
sheet index	revision sheet				dwg no 20020038
					sheet 3 of 3 size A4
					type CUSTOMER Drawing

## X-ON Electronics

Largest Supplier of Electrical and Electronic Components

*Click to view similar products for [Pluggable Terminal Blocks](#) category:*

*Click to view products by [FCT Electronics](#) manufacturer:*

Other Similar products are found below :

[57.404.7553](#) [57.504.0053.7](#) [57.510.0053](#) [57.910.6153](#) [01.112.1453](#) [CTB932VE/6](#) [MC 1.5/ 6-ST-3.5 GY AU](#) [ET02015000J0G](#) [734-104](#) [734-302](#) [734-304](#) [8-141-P](#) [FKCT 2.5/ 3-ST KMGY](#) [860505](#) [860508](#) [860516](#) [860810](#) [861908](#) [GBPACX-12](#) [93.731.4953.0](#) [PV05-5,08-K](#) [PVP02-5,00](#) [PVP04-3,50](#) [PVS02-5,00](#) [1-1986160-3](#) [H-10](#) [1546228-5](#) [ELFH09150](#) [ELFH16150](#) [ELFP03110](#) [ELFT06250](#) [ELFT07250](#) [ELVF09400](#) [ELVP03100](#) [ELXH03100](#) [ELXH071G0E](#) [ELXP041G0](#) [ELXT046G0](#) [1700101](#) [1700410](#) [1700425](#) [1703176](#) [1705229](#) [1710175](#) [1714537](#) [1717806](#) [1719600](#) [1729386](#) [1734692](#) [1734795](#)