

PRODUCT NUMBER
20020039-XXXXXXLF

20020039 — B 0 L F

PITCH

C: 3.50 mm
D: 3.81 mm
H: 5.08 mm

POLES

02: 2 POLES
03: 3 POLES
.....
24: 24 POLES

LF : DENOTED RoHS COMPATIBLE

1 : STANDARD PRODUCT
W/ BOX PACKING

HOUSING CODE

CODE	COLOR	AVAILABILTY
1	GREEN(RAL 6018/T)	STANDARD
2	BLACK	ON REQUEST ONLY
3	GREY(RAL 7004/P)	ON REQUEST ONLY
4	BLUE(RAL 5015/A)	ON REQUEST ONLY

PROPERTY TABLE					
FCI SERIES NAME		35-350	35-381	35-508	
PITCH (mm)		3.50	3.81	5.08	
VOLTAGE RATING (VAC)		300	300	300	
CURRENT RATING (A)		8	8	10	
APPLICABLE WIRE RANGE (AWG)	1-WIRE	16~28	16~28	12~26	
	2-WIRE	NA	NA	NA	
WIRE CROSS SECTION (mm ²)	SOLID	1-WIRE	1.5	1.5	2.5
		2-WIRE	NA	NA	NA
	STRANDED	1-WIRE	1.5	1.5	2.5
		2-WIRE	NA	NA	NA
OPENING CONTACT HOUSING(mm ²)		2.4x1.7	2.4x1.7	2.2x3.0	
WIRE STRIP LENGTH(mm)		8~9	8~9	9~10	
WITHSTANDING VOLTAGE (kV)		1.6	1.6	1.6	
OPERATING TEMP. (°C)		-40~+115	-40~+115	-40~+115	
POLES AVAILABLE		02~24	02~24	02~24	
SAFETY CERTIFICATE					

NOTES:

1. MATERIALS

- 1-1 HOUSING: THERMALPLASTIC RESIN, UL 94V-0 RATED.
- 1-2 INSULATING LEVER: THERMALPLASTIC RESIN, UL 94V-0 RATED.
- 1-3 WIRE GUARD : STAINLESS STEEL.
- 1-4 TERMINAL: COPPER ALLOY, TIN PLATED.

2. PRODUCT SPECIFICATION REFER TO FCI GS-12-625.

3. PRODUCT PACKING SPECIFICATION REFER TO FCI GS-14-1394.

4. FCI, SAFETY CERTIFICATE LOGO AND SERIES NAME TO BE SHOWN ON PRODUCT SURFACE.

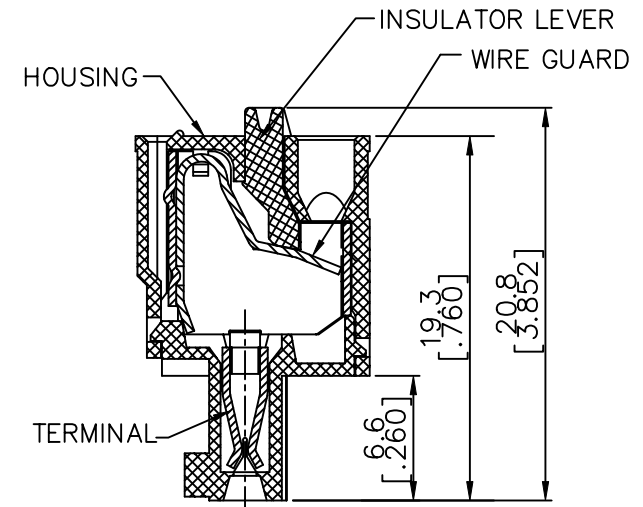
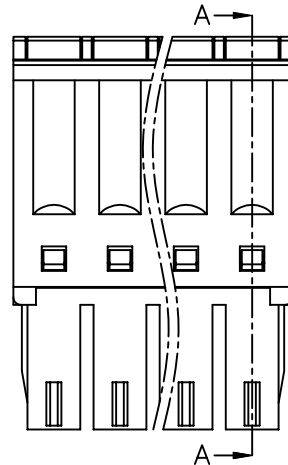
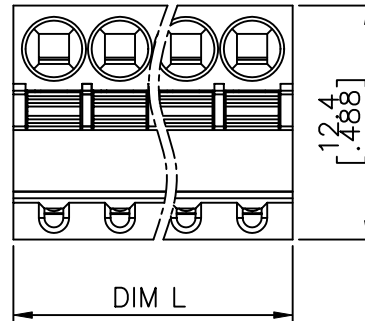
5. THE PRODUCTS WHERE THE PART NUMBER END IN "LF" MEET THE EUROPEAN UNION DIRECTIVE AND OTHER COUNTRY REGULATIONS AS DESCRIBED IN GS-22-008.

mat'l. code				surface ASME Y14.5 ✓ / tolerance ASME Y14.5		projection		product family	
ltr				ecn no		dr		date	
A				T11-0004		WL		011811	
B				T-005306		WL		082311	
angles				tolerances unless otherwise specified		X±0.5		X.X±0.3	
X°±1'				X.XX±0.1		scale		MM	
dr				WENDY CHEN		122710		sheet 1 of 4	
enr				JASON HSU		122710		size	
chr				JASON HSU		122710		A4	
appd				JASON HSU		122710		type	
sheet index				revision		B B B B		CUSTOMER Drawing	
sheet				sheet		1 2 3 4			

PRODUCT NUMBER	SERIES NAME	PITCH
20020039-CXXXXXLF	35-350	3.50 mm

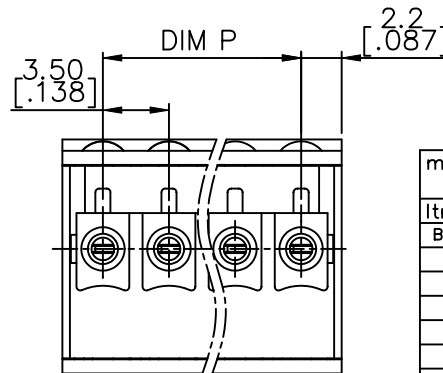
N = Number of poles
 DIM. L = (N x 3.5 [.138]) + 0.8 [.031]
 DIM. P = (N - 1) x 3.5 [.138]

POLES	DIM. L & P
2-6p	±0.10 [.004]
7-12p	±0.15 [.006]
13-18p	±0.20 [.008]
19-24p	±0.30 [.012]



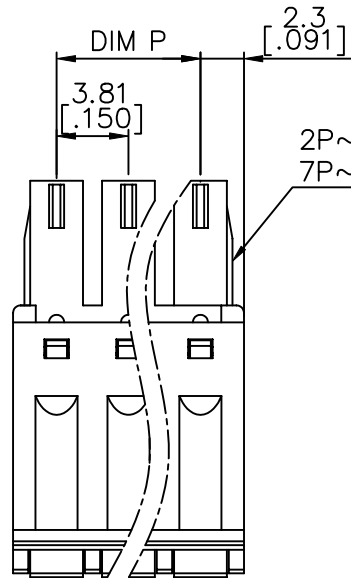
SECTION A-A

2P~6P Ribs on both sides
 7P~24P No rib

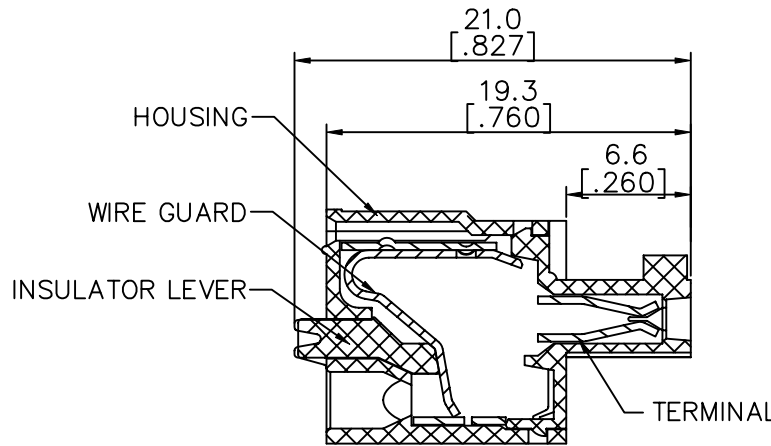
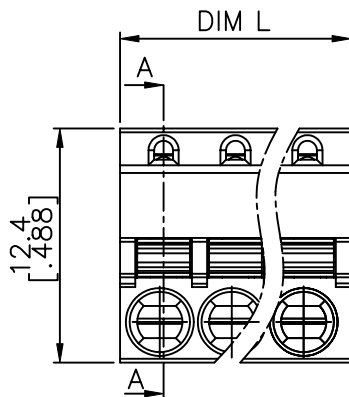


mat'l. code		surface ASME Y14.5	tolerance ASME Y14.5	projection MM INCH	product family TERMINAL BLOCK
ltr	ecn no	dr	date	title TERMINAL BLOCK PLUGGABLE SIGNAL PLUG, MIDDLESIDE CONTACT WITHOUT FLANGE	
B				scale	sheet 2 of 4 size
					20020039 A4
		dr	WENDY CHEN	122710	type CUSTOMER Drawing
		enr	JASON HSU	122710	
		chr	JASON HSU	122710	
		appd	JASON HSU	122710	
sheet index	revision sheet				

PRODUCT NUMBER	SERIES NAME	PITCH
20020039-DXXXXXLF	35-381	3.81 mm



2P~6P Ribs on both sides
7P~24P No rib



SECTION A-A

N = Number of poles
 DIM. L = $(N \times 3.81 [.150]) + 0.8 [.031]$
 DIM. P = $(N - 1) \times 3.81 [.150]$

POLES	DIM. L	DIM. P
2-6p	$\pm 0.20 [.008]$	$\pm 0.20 [.008]$
7-12p	$\pm 0.25 [.010]$	$\pm 0.25 [.010]$
13-18p	$\pm 0.30 [.012]$	$\pm 0.30 [.012]$
19-24p	$\pm 0.40 [.016]$	$\pm 0.35 [.014]$

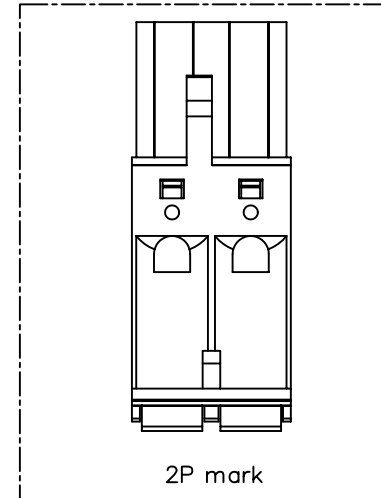
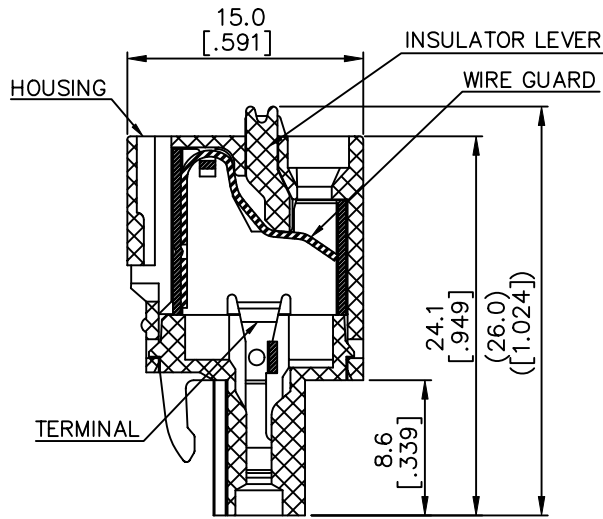
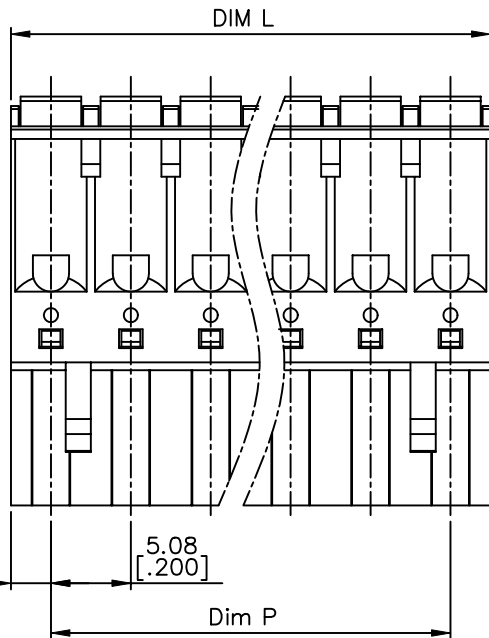
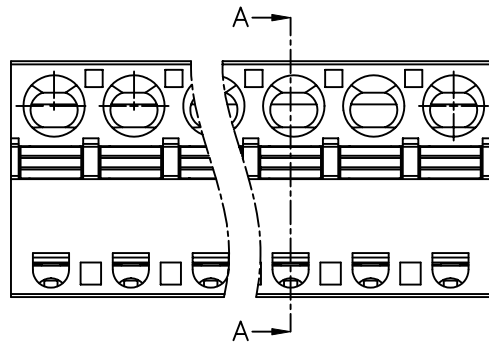
mat'l. code		surface ASME Y14.5	tolerance ASME Y14.5	projection MM INCH	product family TERMINAL BLOCK
ltr	ecn no	dr	date	title TERMINAL BLOCK PLUGGABLE SIGNAL PLUG, MIDDLESIDE CONTACT WITHOUT FLANGE	
B				scale	sheet 3 of 4 size A4
				dr WENDY CHEN 122710	20020039
				enr JASON HSU 122710	
				chr JASON HSU 122710	
				appd JASON HSU 122710	
sheet index	revision sheet				type CUSTOMER Drawing



PRODUCT NUMBER	SERIES NAME	PITCH
20020039-HXXXXXLF	35-508	5.08 mm

N = Number of poles
 DIM. L = (N x 5.08 [.200])
 DIM. P = (N - 1) x 5.08 [.200]

POLES	DIM. L	DIM. P
2-6p	±0.15 [.006]	
7-12p	±0.20 [.010]	
13-16p	±0.30 [.012]	
17-24p	±0.40 [.016]	



SECTION A-A

mat'l. code		surface ASME Y14.5	tolerance ASME Y14.5	projection MM INCH	product family TERMINAL BLOCK
ltr	ecn no	dr	date	title TERMINAL BLOCK PLUGGABLE SIGNAL PLUG, MIDDLESIDE CONTACT WITHOUT FLANGE	
B				scale	sheet 4 of 4 size A4
				dr WENDY CHEN 122710	20020039
				enr JASON HSU 122710	
				chr JASON HSU 122710	
				appd JASON HSU 122710	
sheet index	revision sheet				type CUSTOMER Drawing

X-ON Electronics

Largest Supplier of Electrical and Electronic Components

Click to view similar products for [Pluggable Terminal Blocks](#) category:

Click to view products by [FCT Electronics](#) manufacturer:

Other Similar products are found below :

[57.404.7553](#) [57.504.0053.7](#) [57.510.0053](#) [57.910.6153](#) [01.112.1453](#) [CTB932VE/6](#) [MC 1.5/ 6-ST-3.5 GY AU](#) [ET02015000J0G](#) [734-104](#) [734-302](#) [734-304](#) [8-141-P](#) [FKCT 2.5/ 3-ST KMGY](#) [860505](#) [860508](#) [860516](#) [860810](#) [861908](#) [GBPACX-12](#) [93.731.4953.0](#) [PV05-5,08-K](#) [PVP02-5,00](#) [PVP04-3,50](#) [PVS02-5,00](#) [1-1986160-3](#) [H-10](#) [1546228-5](#) [ELFH09150](#) [ELFH16150](#) [ELFP03110](#) [ELFT06250](#) [ELFT07250](#) [ELVF09400](#) [ELVP03100](#) [ELXH03100](#) [ELXH071G0E](#) [ELXP041G0](#) [ELXT046G0](#) [1700101](#) [1700410](#) [1700425](#) [1703176](#) [1705229](#) [1710175](#) [1714537](#) [1717806](#) [1719600](#) [1729386](#) [1734692](#) [1734795](#)