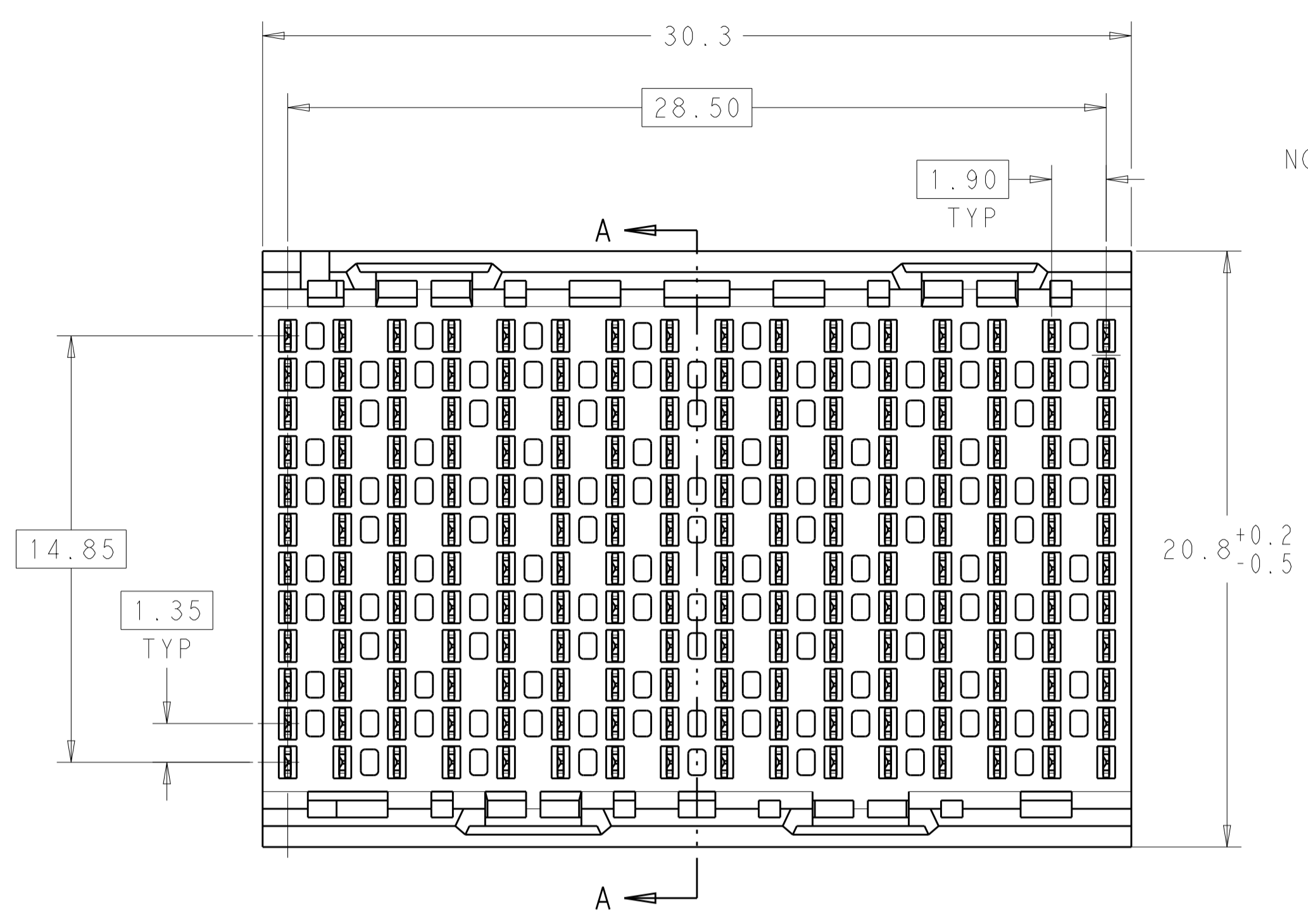
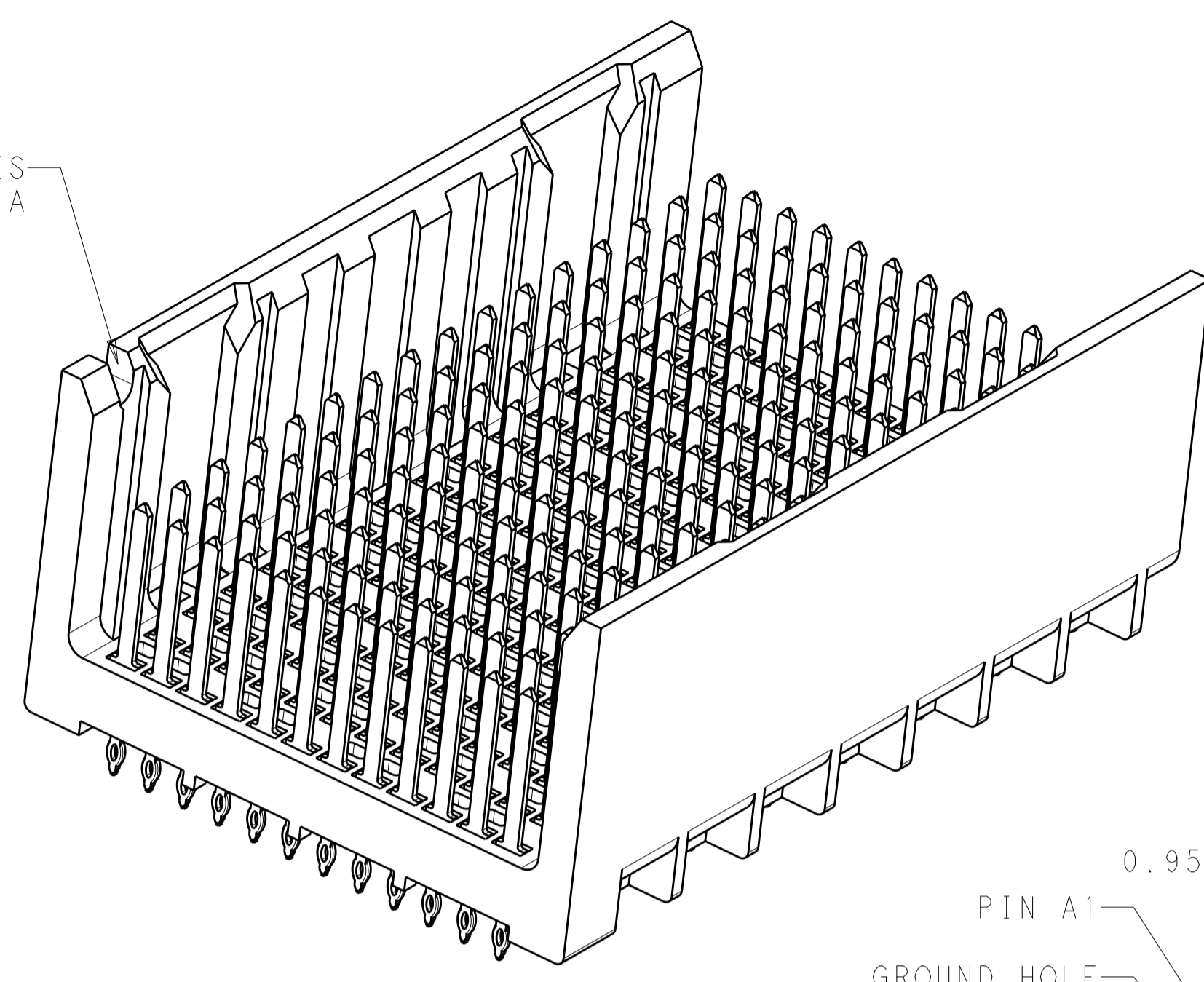


| LOC | | DIST | | REVISIONS | | | |
|-----|-----|---------------------------|-----------|-----------|------|--|--|
| P | LTN | DESCRIPTION | DATE | DWN | APVD | | |
| A | | REVISED PER ECO-15-001494 | 05FEB2015 | AP | DD | | |

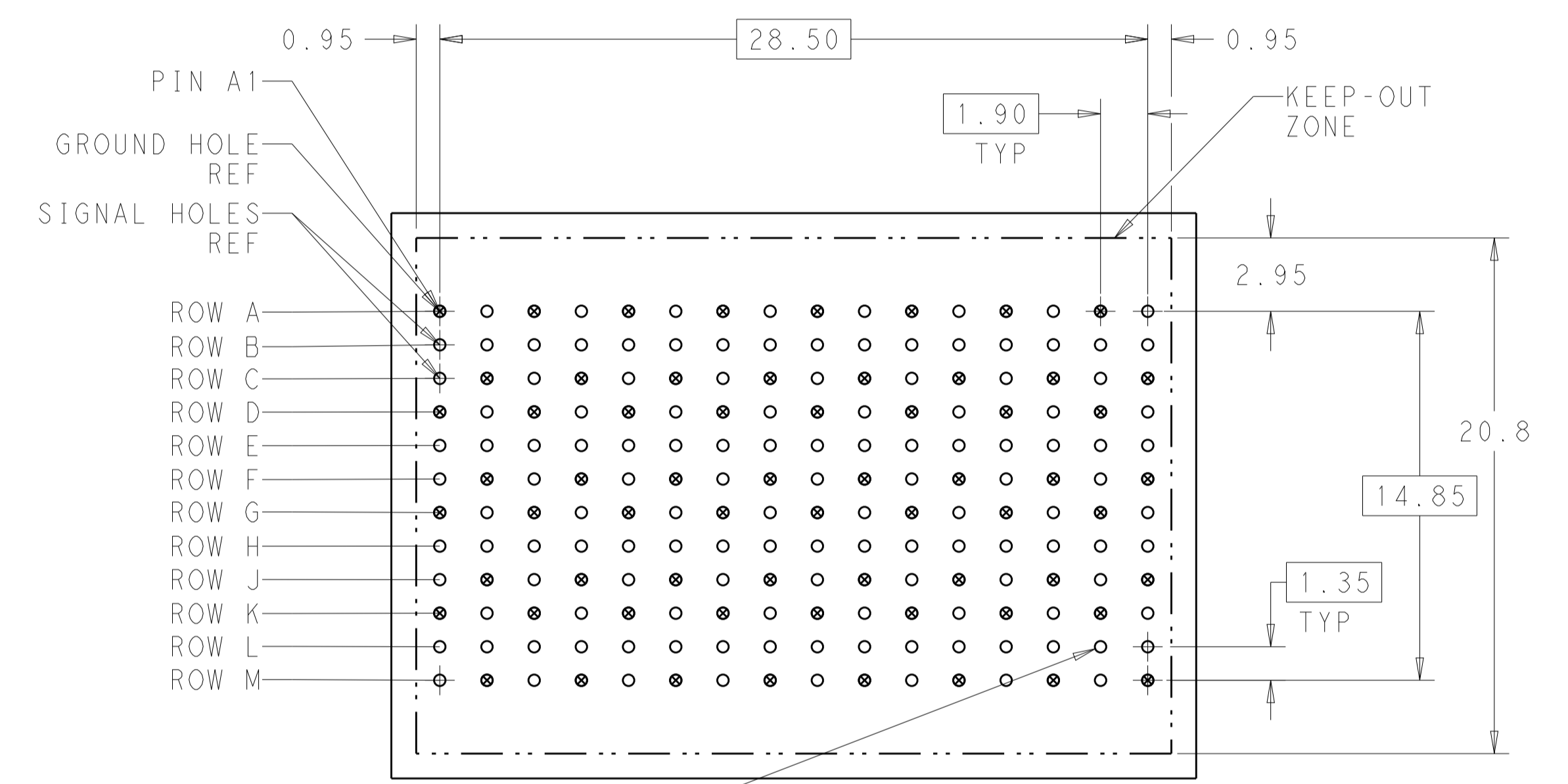


NOTCH DESIGNATES ROW A



⚠ MATERIAL:
HOUSING: LCP, GLASS FILLED, UL94V-0.
TERMINALS: HIGH PERFORMANCE COPPER ALLOY.

⚠ FINISH:
30μ" MIN GOLD IN CONTACT AREA. SELECTIVE TIN ON PCB TAILS, NICKEL OVERALL.

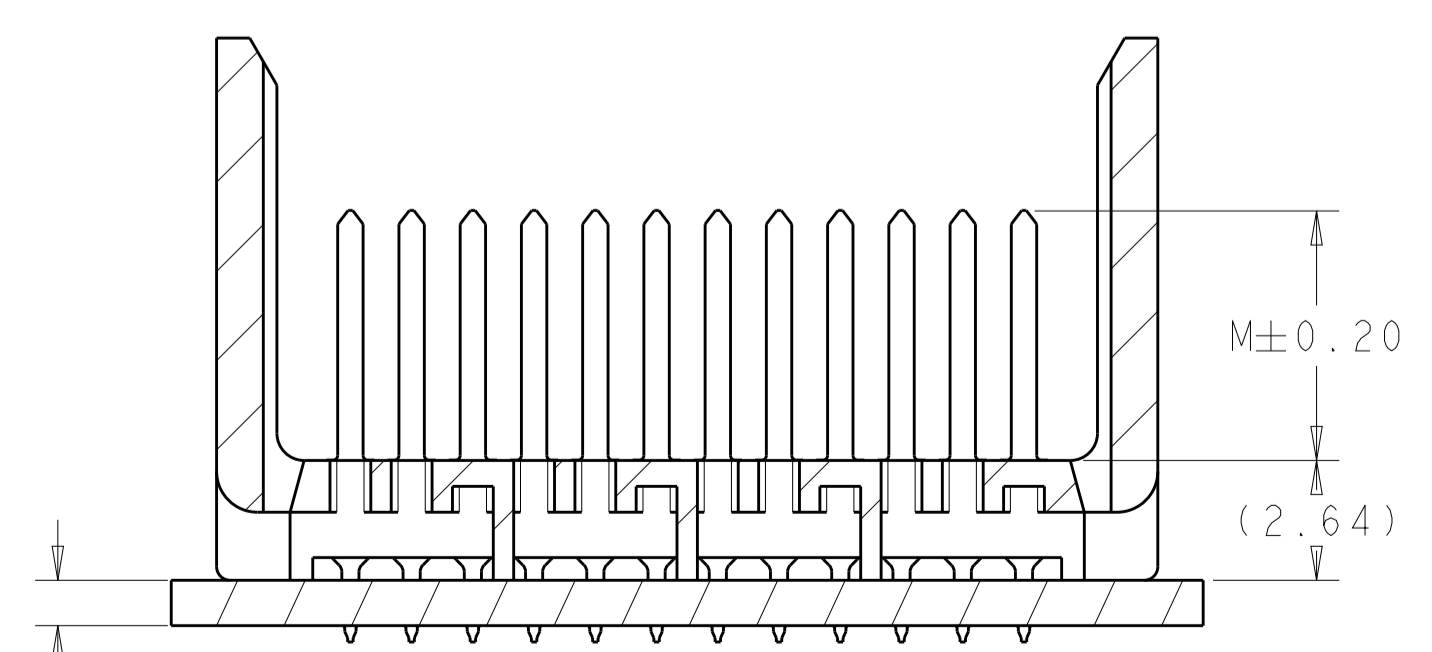
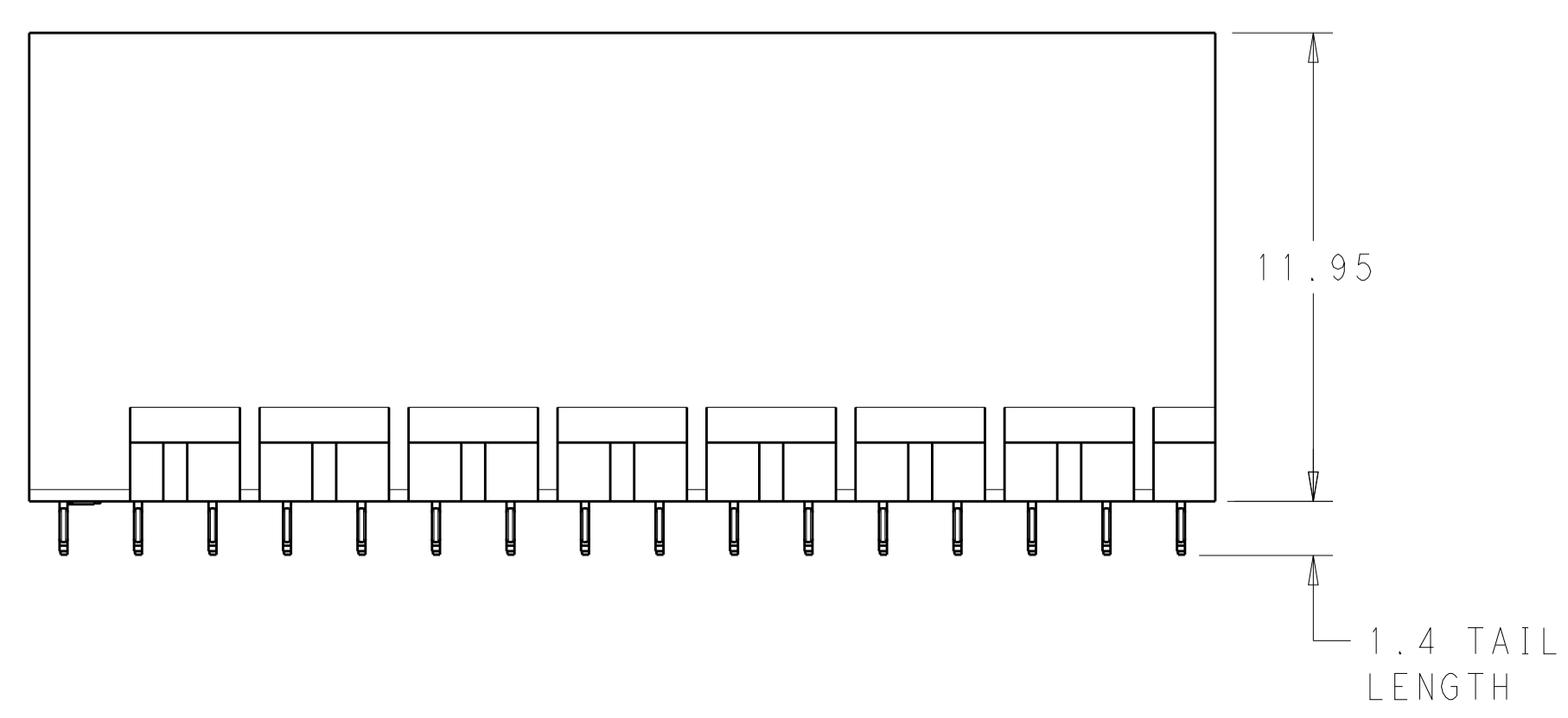


192X $\varnothing 0.46 \pm 0.05$ PLATED THRU HOLE

192X $\varnothing 0.55 \pm 0.013$ DRILL HOLE

$\varnothing 0.10$

UNGUIDED BACKPLANE HOLE PATTERN (CONNECTOR SIDE)



SECTION A-A

| | | | |
|--|-------------------|----------------------------|---|
| THIS DRAWING IS A CONTROLLED DOCUMENT. | | DWN: KIRAN HOLAL 09JAN2013 | TE Connectivity |
| DIMENSIONS: mm | | CHK: D. DIXON 09JAN2013 | |
| TOLERANCES UNLESS OTHERWISE SPECIFIED: | | APVD: D. DIXON 09JAN2013 | NAME: IMPACT, 4 PAIR, 16 COLUMN, HEADER UNGUIDED, OPEN END WALL SIGNAL MODULE, 0.46 PTH |
| 0 PLC | ± | PRODUCT SPEC | SIZE: CAGE CODE DRAWING NO. RESTRICTED TO |
| 1 PLC | ±0.25 | APPLICATION SPEC | A100779C=2007832 |
| 2 PLC | ±0.13 | WEIGHT | Customer Drawing |
| 3 PLC | ± | SCALE: 6:1 | SHEET 1 OF 2 |
| 4 PLC | ± | REVISION: A | REV A |
| ANGLES | ± | | |
| MATERIAL | FINISH: SEE TABLE | | |

| | | |
|------------------------------|--------------------------|----------------------|
| THIS DRAWING IS UNPUBLISHED. | RELEASED FOR PUBLICATION | 20 |
| © COPYRIGHT 20 | BY - | ALL RIGHTS RESERVED. |

| LOC | DIST | REVISIONS | | | | | |
|-----|------|-----------|-----|-------------|------|-----|------|
| | | P | LTN | DESCRIPTION | DATE | DWN | APVD |
| AD | 00 | - | - | SEE SHEET 1 | - | - | - |
| | | | | | | | |
| | | | | | | | |

| FINISH | DIM M | PART NUMBER |
|---------------|-------|-------------|
| $\triangle/2$ | 5.5 | 2007832-3 |
| $\triangle/2$ | 4.9 | 2007832-2 |
| $\triangle/2$ | 4.5 | 2007832-1 |

REFER TO WWW.TE.COM
FOR PRODUCT AVAILABILITY

| | | | |
|--|---|---------------------------------|---|
| THIS DRAWING IS A CONTROLLED DOCUMENT. | | DWN KIRAN HOLHL 09JAN2013 | |
| | | CHK D.DIXON 09JAN2013 | |
| DIMENSIONS: | TOLERANCES UNLESS OTHERWISE SPECIFIED: | APVD D.DIXON 09JAN2013 | NAME |
| mm | 0 PLC ± 1 PLC ±0.25 2 PLC ±0.13 3 PLC ± 4 PLC ± | PRODUCT SPEC | IMPACT, 4 PAIR, 16 COLUMN, HEADER |
| | ANGLES ± | APPLICATION SPEC | UNGUIDED, OPEN END WALL |
| MATERIAL | FINISH SEE TABLE | WEIGHT | SIGNAL MODULE, 0.46 PTH |
| | | Customer Drawing | SIZE CAGE CODE DRAWING NO RESTRICTED TO |
| | | | A100779C=2007832 |
| | | | SCALE 5:1 SHEET 2 OF 2 REV A |

X-ON Electronics

Largest Supplier of Electrical and Electronic Components

Click to view similar products for [High Speed/Modular Connectors](#) category:

Click to view products by [TE Connectivity](#) manufacturer:

Other Similar products are found below :

[2332816-1](#) [89006-1137LF](#) [650827-1](#) [65762-001LF](#) [73474-201LF](#) [74040-1346](#) [74075-0267](#) [88911-201LF](#) [9514M0C20D](#) [1410191-1](#)
[1410337-1](#) [1410368-3](#) [1410964-2](#) [1410326-3](#) [1410367-3](#) [1410971-4](#) [1467833-1](#) [2000877-1](#) [2000878-1](#) [2041314-1](#) [2065387-1](#) [2187307-1](#)
[2187462-1](#) [2226278-6](#) [KA81-07](#) [91290-101LF](#) [1934290-1](#) [2000875-1](#) [2065917-1](#) [2102736-2](#) [FSR-40](#) [2169868-2](#) [2226279-2](#) [22354-8](#) [437-](#)
[5040-000](#) [5-1393565-0](#) [532449-3](#) [532803-2](#) [34745-0001](#) [0740618502](#) [0760151403](#) [0760551105](#) [0760551608](#) [0761451128](#) [0761651124](#)
[0761655108](#) [0761659807](#) [0769853208](#) [0736440217](#) [0758324203](#)