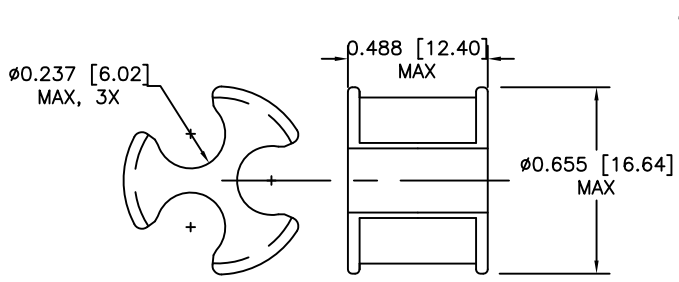
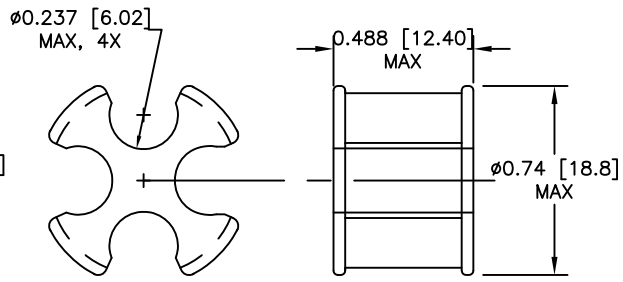


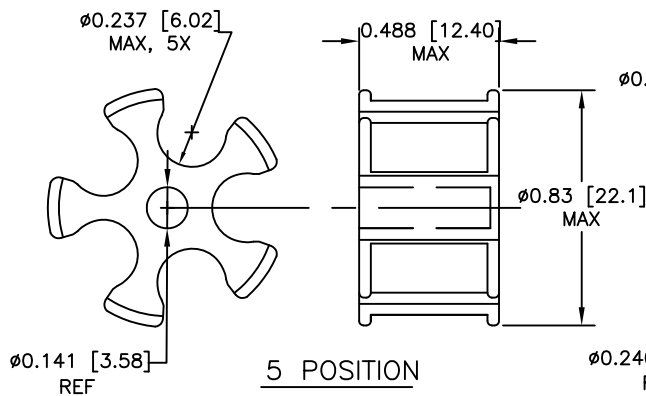
REVISIONS			
LTR	DESCRIPTION	DATE	APPROVED
C	REVISED PER ECO-14-008930	06/12/2014	I. MYONG



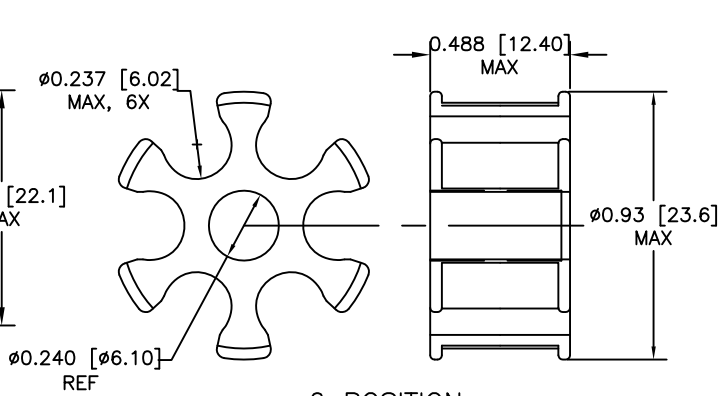
3 POSITION



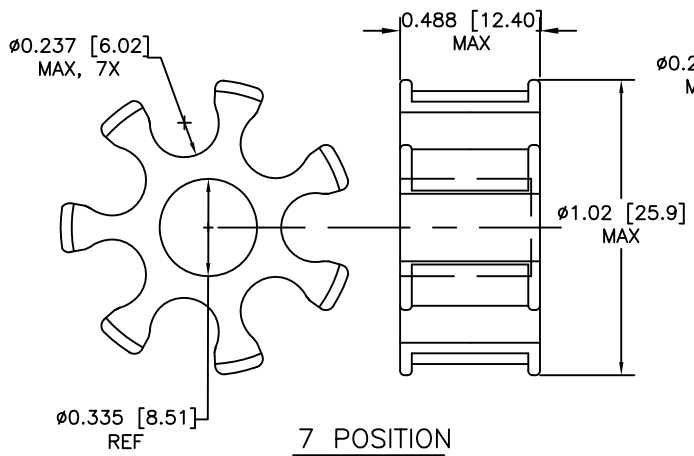
4 POSITION



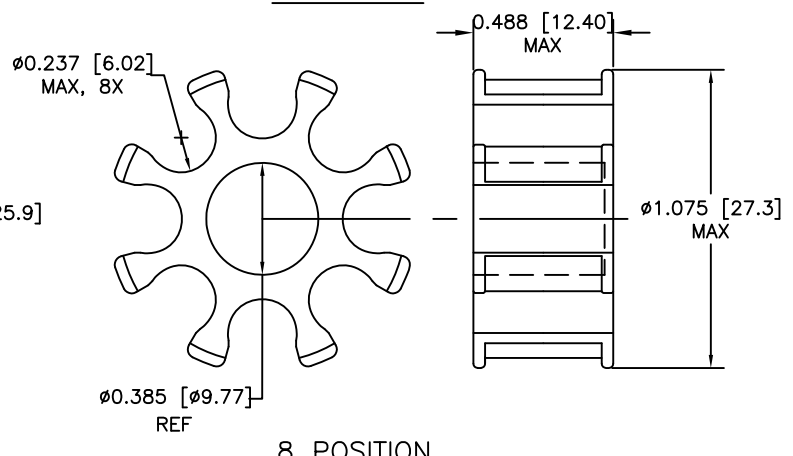
5 POSITION



6 POSITION




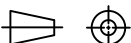
7 POSITION

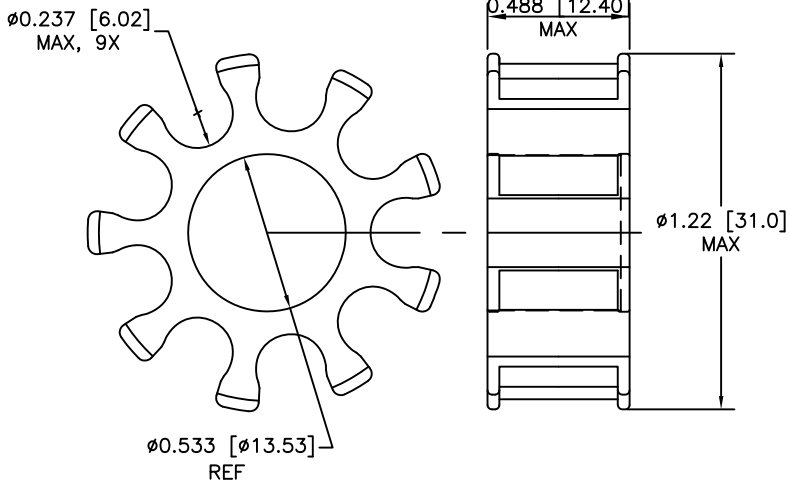


8 POSITION

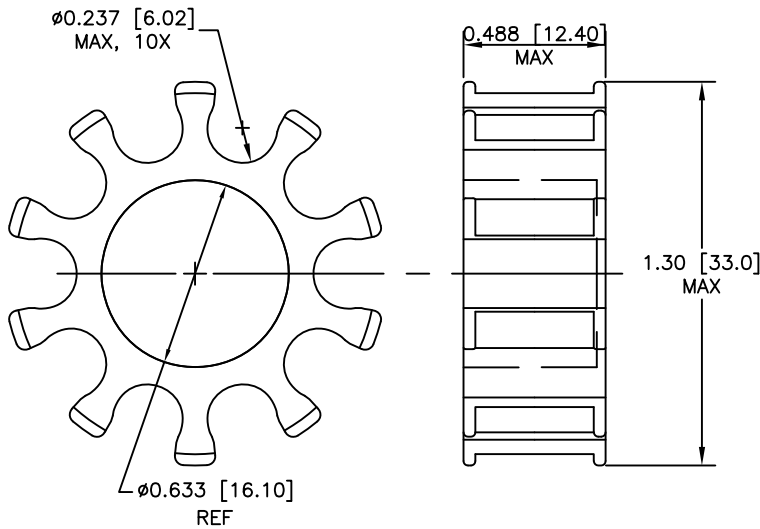
©2014 TE CONNECTIVITY LTD. FAMILY OF COMPANIES. ALL RIGHTS RESERVED
 TE CONNECTIVITY (LOGO) AND TE (LOGO) ARE TRADEMARKS.
 OTHER LOGOS, PRODUCT AND/OR COMPANY NAMES MAY BE TRADEMARKS OF THEIR RESPECTIVE OWNERS.

Raychem Adapters CUSTOMER DRAWING

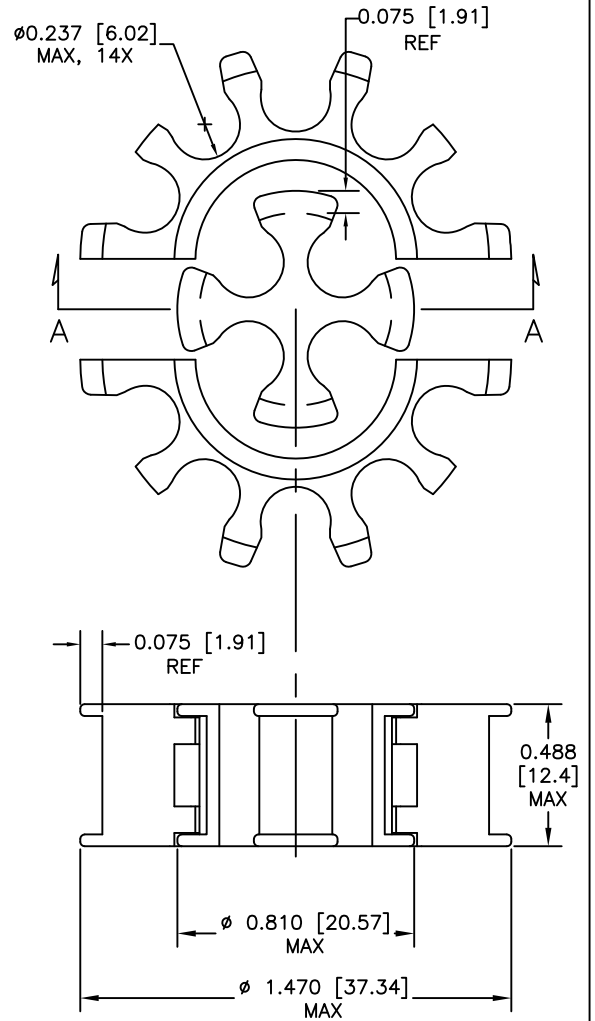
UNLESS OTHERWISE SPECIFIED, DIMENSIONS ARE IN INCHES. METRIC DIMENSIONS ARE IN BRACKETS AS REFERENCE.	DRAWN	DATE			CONNECTIVITY	
	P. TALLY	02/16/2007				
	CHECKED	DATE				
TYCO ELECTRONICS RESERVES THE RIGHT TO CHANGE THIS DRAWING AT ANYTIME. USERS SHOULD EVALUATE THE SUITABILITY OF THE PRODUCT FOR THEIR APPLICATION.	M. PIOZET	02/16/2007	TITLE			
	APPROVED	DATE				
DECIMAL TOLERANCES: .XXX ±.010 [0,25mm] .XX ±.02 [0,51mm] .X ±.1 [2,54mm] ANGULAR TOLERANCE: .X ±1'	I. MYONG	08/14/2009	STAR, MULTI-POSITION HEXASHIELD-F EMI TERMINATION SYSTEM			
	CAD FILE NAME: FLX40-02X-XX.dwg		SIZE	CAGE	DWG. NO.	REV
	THIRD ANGLE PROJECTION:		A	06090	FLX40-02X-XX	C
			DO NOT SCALE THIS DRAWING			
		SHEET		1 OF 6		



9 POSITION



10 POSITION



SECTION A-A

14 POSITION

**Raychem Adapters
CUSTOMER DRAWING**



DO NOT
SCALE THIS
DRAWING

SIZE
A

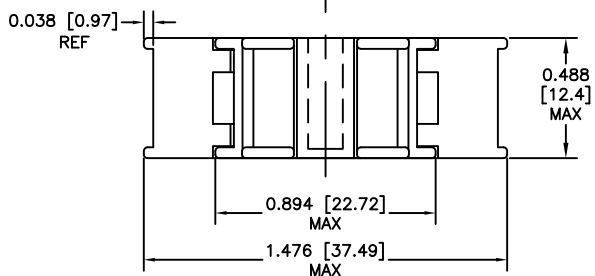
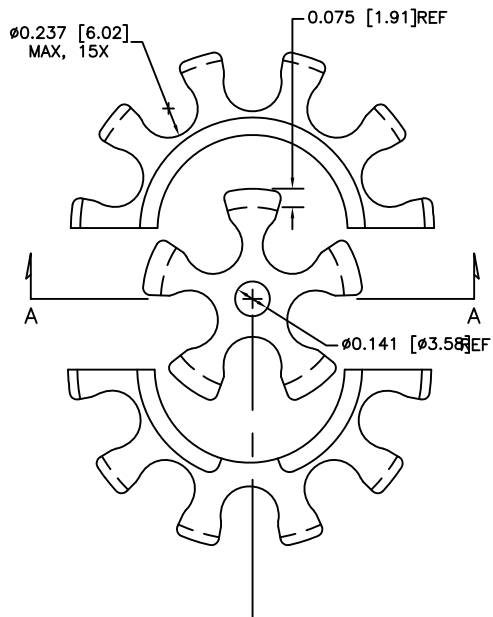
CAGE
06090

SHEET
2 OF 6

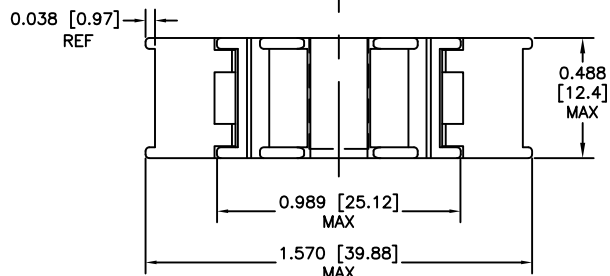
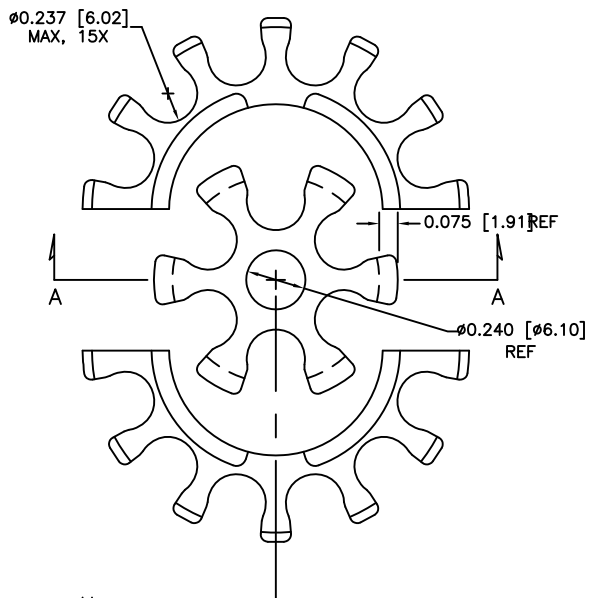
DWG. NO.

FLX40-02X-XX

REV
C



SECTION A-A
15 POSITION



SECTION A-A
18 POSITION

Raychem Adapters
CUSTOMER DRAWING



DO NOT
SCALE THIS
DRAWING

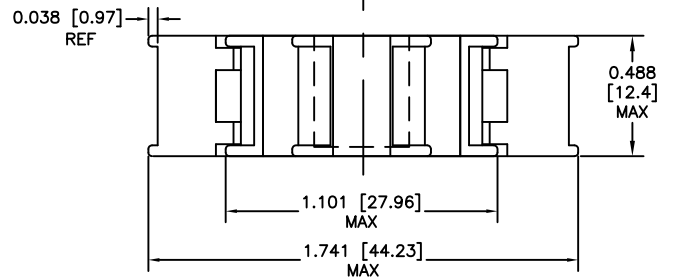
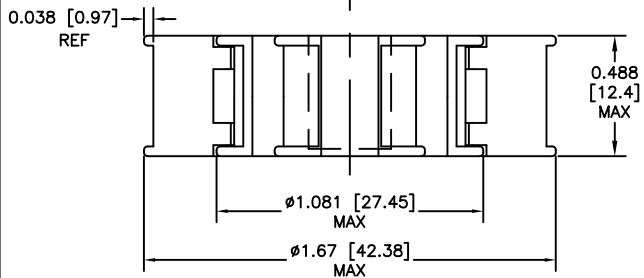
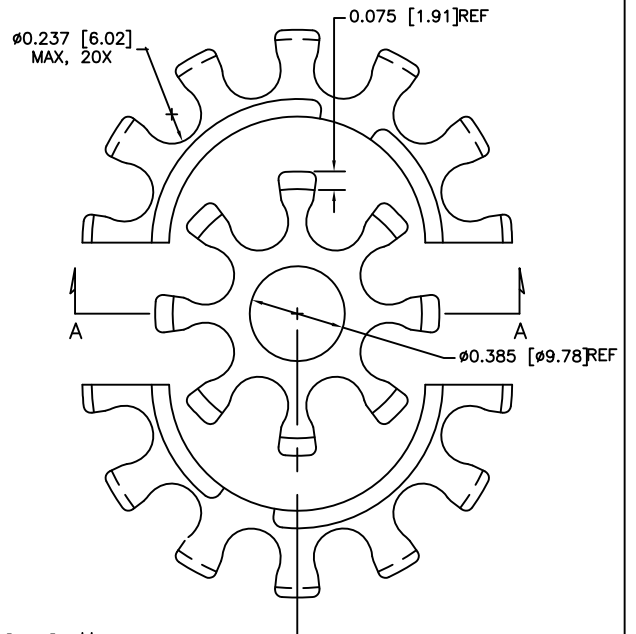
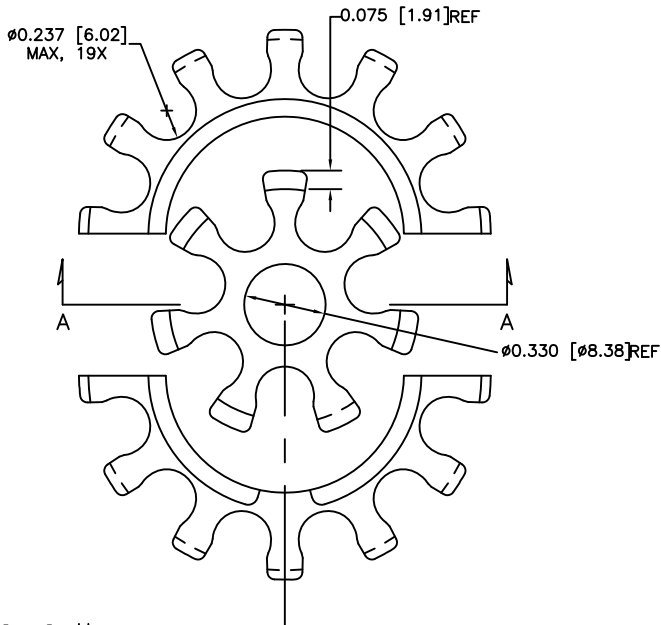
SIZE
A

CAGE
06090

SHEET
3 OF 6

DWG. NO.
FLX40-02X-XX

REV
C



SECTION A-A
19 POSITION

SECTION A-A
20 POSITION

Raychem Adapters
CUSTOMER DRAWING



DO NOT
SCALE THIS
DRAWING

SIZE
A

CAGE
06090

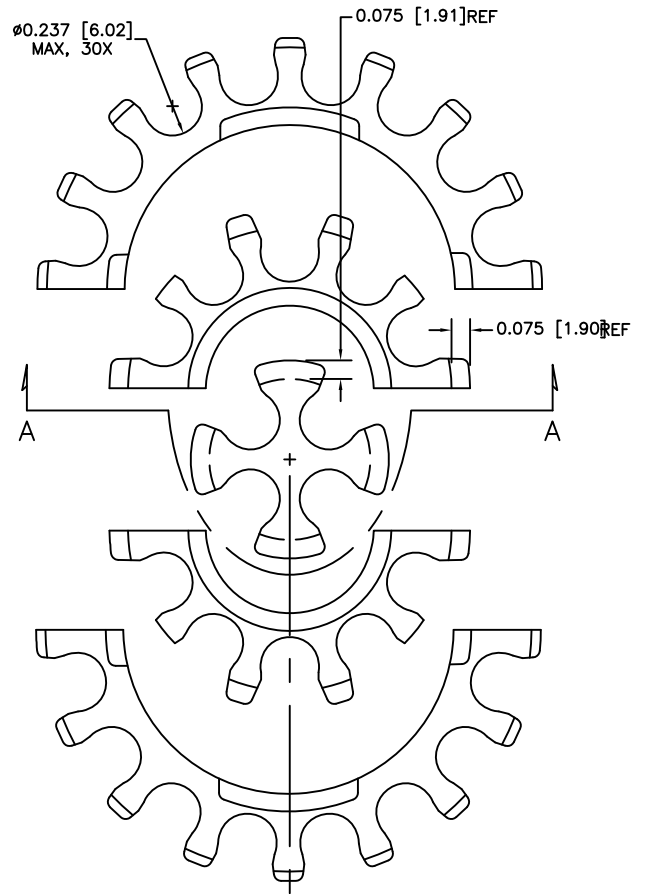
SHEET
4 OF 6

DWG. NO.
FLX40-02X-XX

REV
C




SECTION A-A
25 POSITION



SECTION A-A
30 POSITION

Raychem Adapters
CUSTOMER DRAWING

	DO NOT SCALE THIS DRAWING	SIZE	CAGE	SHEET	DWG. NO.	REV
		A	06090	5 OF 6	FLX40-02X-XX	C

MATERIAL:

BASE METAL – ALUMINUM ALLOY 6061-T651 OR EN AW 2011-T3.

PLATINGS:

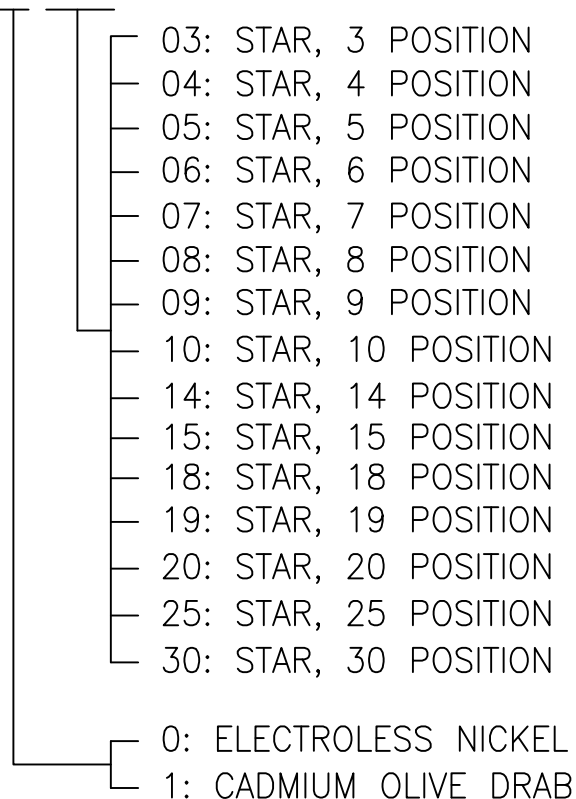
- ELECTROLESS NICKEL CONFORMING TO SAE AMS-C-26074, CLASS 4, GRADE C.
- CADMIUM OLIVE OLIVE DRAB CONFORMING TO SAE AMS-QQ-P-416 TYPE III, CLASS 3 (500 HOUR SALT SPRAY).

APPLICATION:

1. THESE DEVICES ARE DESIGNED TO BE USED IN A HEXASHIELD-F EMI TERMINATION SYSTEM.

PART NUMBERING:

FLX40-02X-XX



**Raychem Adapters
 CUSTOMER DRAWING**



DO NOT
SCALE THIS
DRAWING

SIZE

A

CAGE

06090

SHEET

6 OF 6

DWG. NO.

FLX40-02X-XX

REV

C

X-ON Electronics

Largest Supplier of Electrical and Electronic Components

Click to view similar products for [Solder Sleeves & Shield Tubing](#) category:

Click to view products by [TE Connectivity](#) manufacturer:

Other Similar products are found below :

[D-260-C-A](#) [899170-000](#) [620040N001](#) [620069N003](#) [620263N004](#) [CTA-0050-01](#) [629624-000](#) [6501390002](#) [CX0781-000](#) [CX0782-000](#)
[696396-000](#) [697080-000](#) [715325N001](#) [FLX40-030-02-CS8652](#) [908357N001](#) [D-436-38CS2908](#) [CB0213-000](#) [CB0219-000](#) [274384-000](#)
[285343-000](#) [970053-000](#) [ST18-2-00](#) [FLX40-020-04-CS8651](#) [317035-000](#) [325534-000](#) [D-100-00-WOTI](#) [D-150-1011](#) [395947-000](#)
[427243N001](#) [514535-000](#) [C03534-000](#) [CB0220-000](#) [D44133N001](#) [068615-000](#) [626168-000](#) [451893-000](#) [931289-000](#) [162583-000](#)
[585769N001](#) [610001N004](#) [620005N003](#) [6200060004](#) [622041N003](#) [626167-000](#) [EG3678-000](#) [650075N002](#) [6500820003](#) [6500850004](#)
[650126N010](#) [650127N005](#)