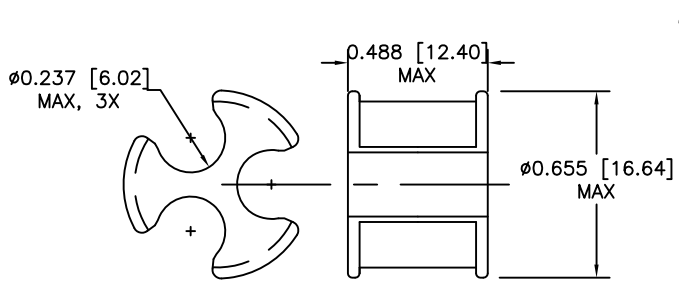
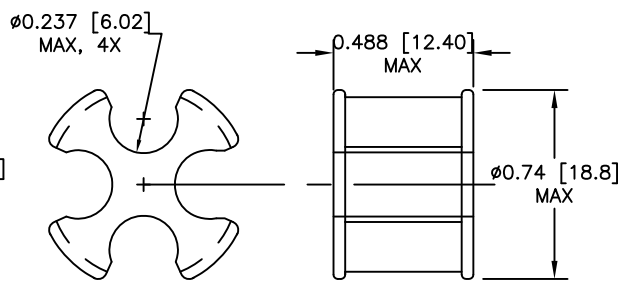


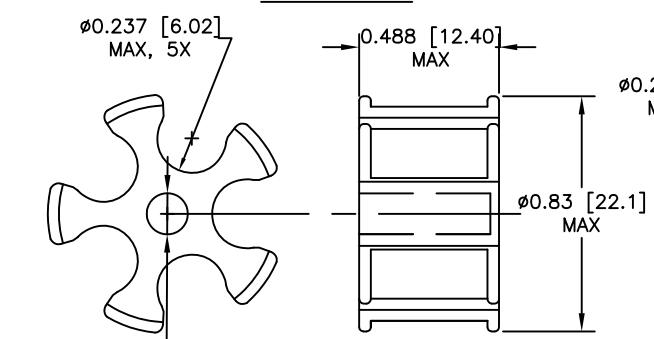
REVISIONS			
LTR	DESCRIPTION	DATE	APPROVED
C	REVISED PER ECO-14-008930	06/12/2014	I. MYONG



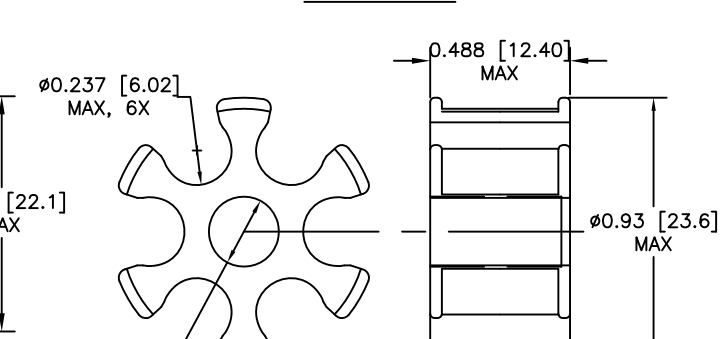
3 POSITION



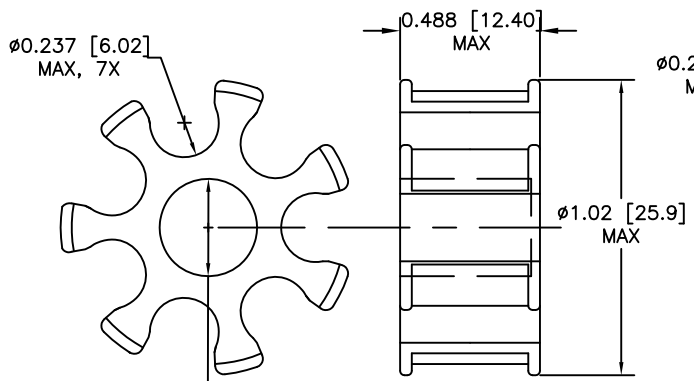
4 POSITION



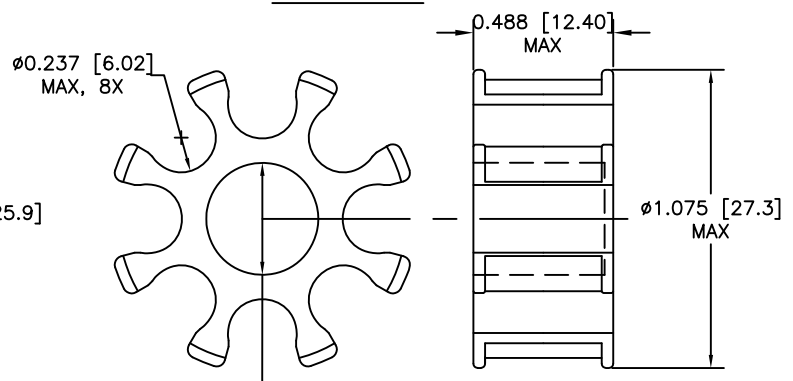
5 POSITION



6 POSITION




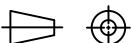
7 POSITION

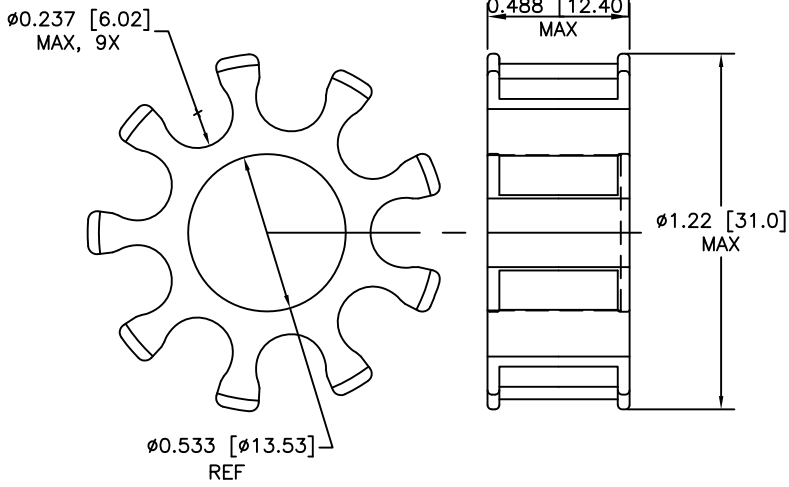


8 POSITION

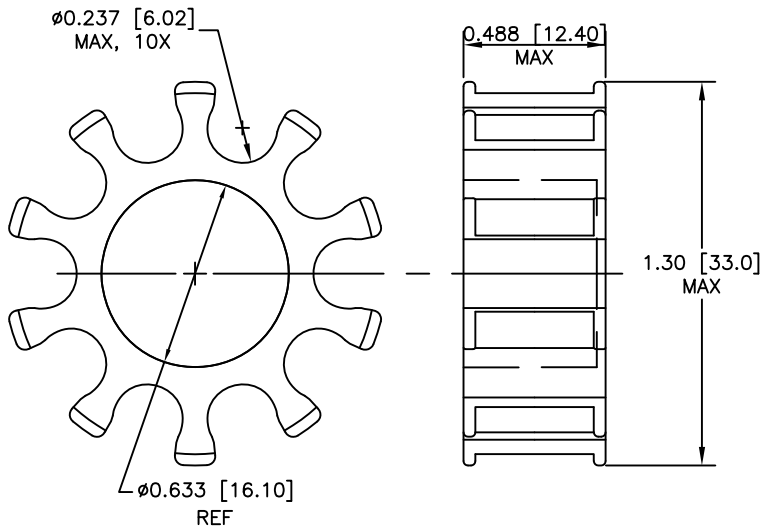
©2014 TE CONNECTIVITY LTD. FAMILY OF COMPANIES. ALL RIGHTS RESERVED  
 TE CONNECTIVITY (LOGO) AND TE (LOGO) ARE TRADEMARKS.  
 OTHER LOGOS, PRODUCT AND/OR COMPANY NAMES MAY BE TRADEMARKS OF THEIR RESPECTIVE OWNERS.

**Raychem Adapters**  
**CUSTOMER DRAWING**

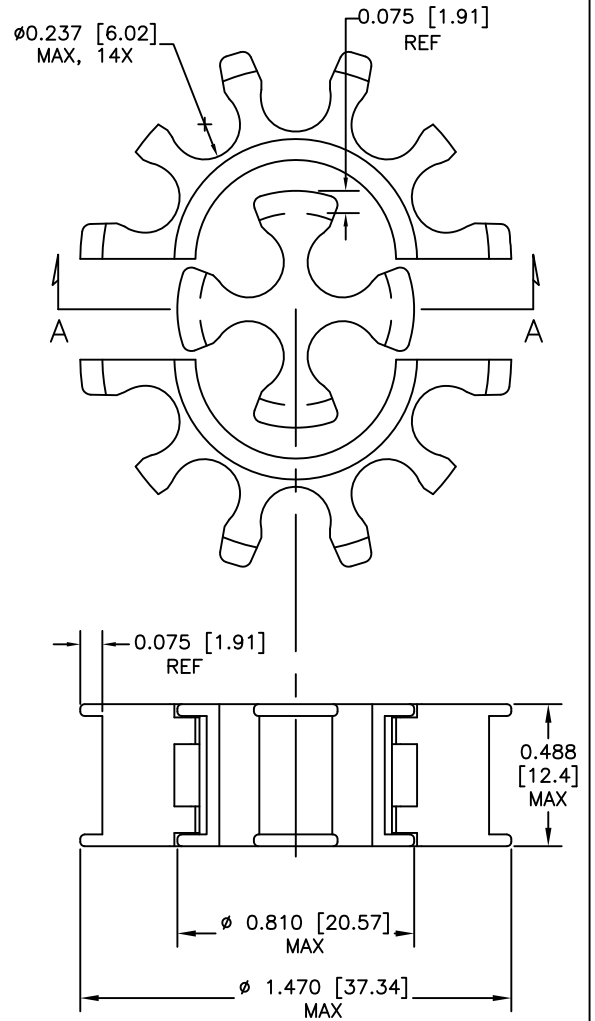
UNLESS OTHERWISE SPECIFIED, DIMENSIONS ARE IN INCHES. METRIC DIMENSIONS ARE IN BRACKETS AS REFERENCE.	DRAWN	DATE				
	P. TALLY	02/16/2007				
	TYCO ELECTRONICS RESERVES THE RIGHT TO CHANGE THIS DRAWING AT ANYTIME. USERS SHOULD EVALUATE THE SUITABILITY OF THE PRODUCT FOR THEIR APPLICATION.	CHECKED	DATE	TITLE STAR, MULTI-POSITION HEXASHIELD-F EMI TERMINATION SYSTEM		
M. PIOZET		02/16/2007				
DECIMAL TOLERANCES: .XXX ±.010 [0,25mm] .XX ±.02 [0,51mm] .X ±.1 [2,54mm] ANGULAR TOLERANCE: .X ±1'	APPROVED	DATE	SIZE	CAGE	DWG. NO.	REV
	I. MYONG	08/14/2009	A	06090	FLX40-02X-XX	C
CAD FILE NAME: FLX40-02X-XX.dwg		THIRD ANGLE PROJECTION: 		DO NOT SCALE THIS DRAWING		SHEET 1 OF 6



9 POSITION



10 POSITION



SECTION A-A

14 POSITION

**Raychem Adapters  
CUSTOMER DRAWING**



DO NOT  
SCALE THIS  
DRAWING

SIZE  
A

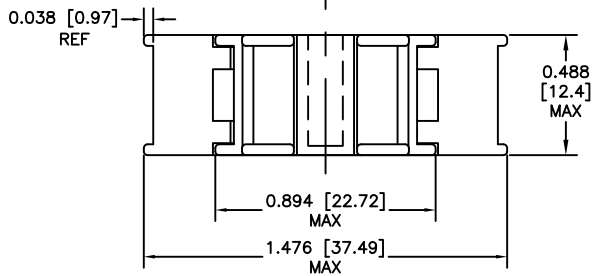
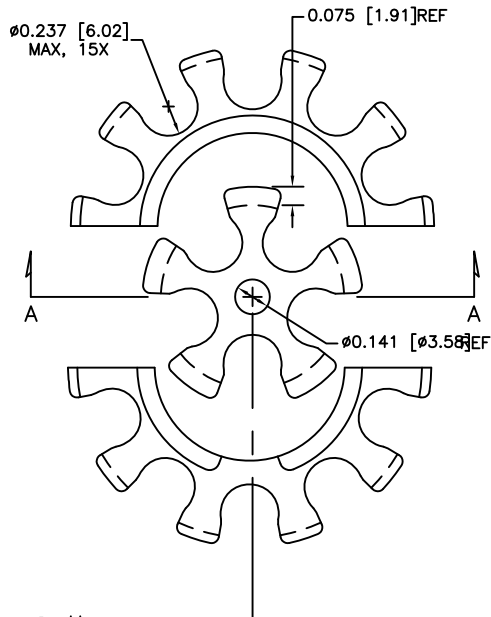
CAGE  
06090

SHEET  
2 OF 6

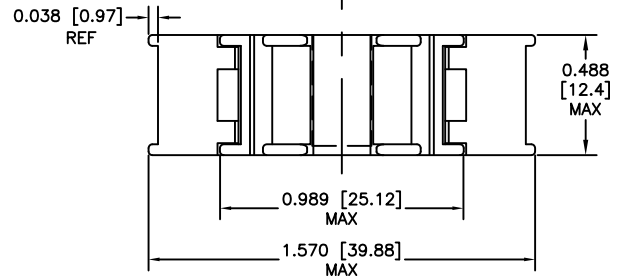
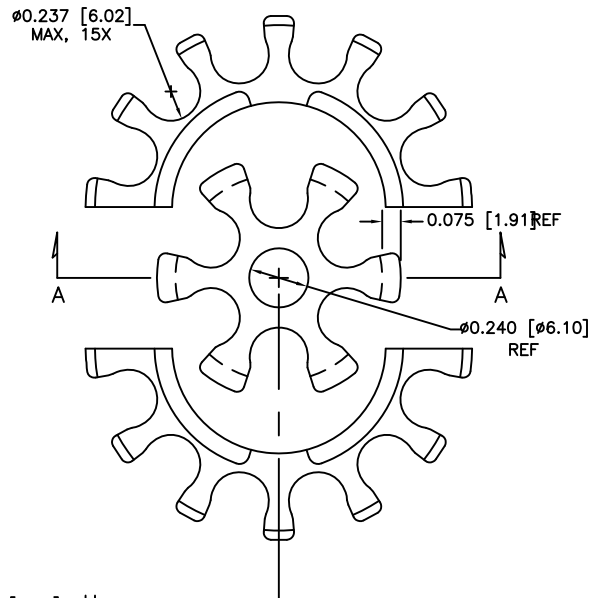
DWG. NO.

FLX40-02X-XX

REV  
C



SECTION A-A  
15 POSITION



SECTION A-A  
18 POSITION

Raychem Adapters  
CUSTOMER DRAWING



DO NOT  
SCALE THIS  
DRAWING

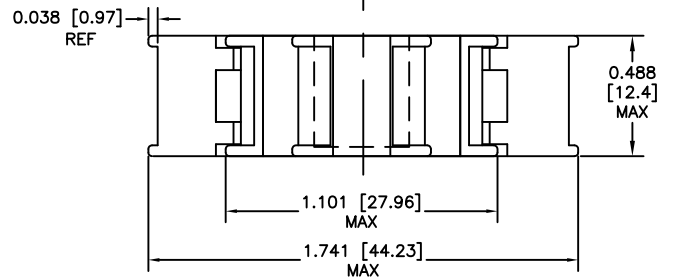
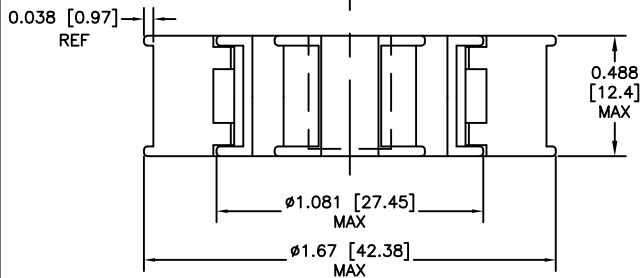
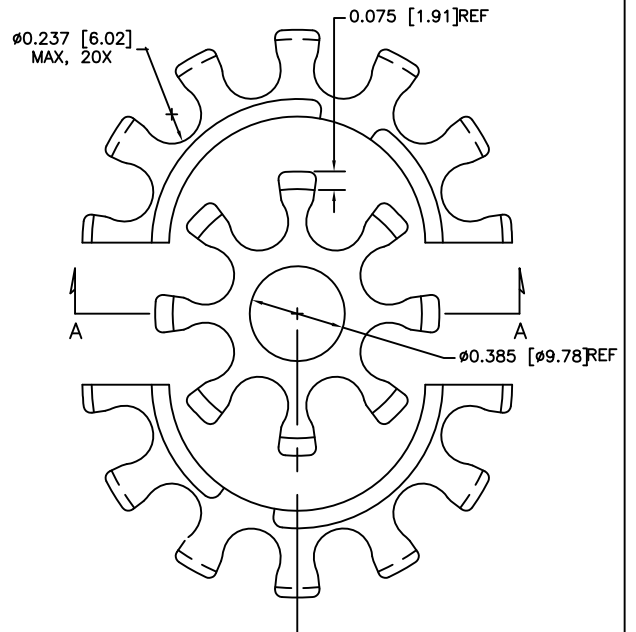
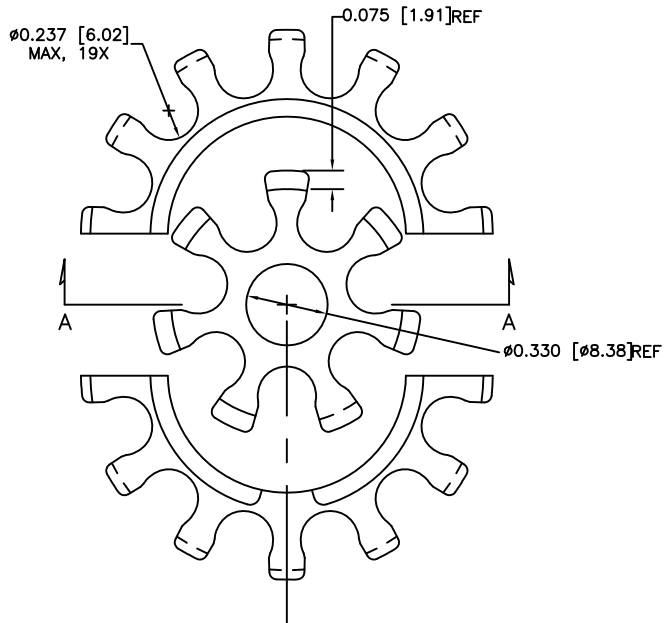
SIZE  
A

CAGE  
06090

SHEET  
3 OF 6

DWG. NO.  
FLX40-02X-XX

REV  
C



SECTION A-A  
19 POSITION

SECTION A-A  
20 POSITION

Raychem Adapters  
CUSTOMER DRAWING



DO NOT  
SCALE THIS  
DRAWING

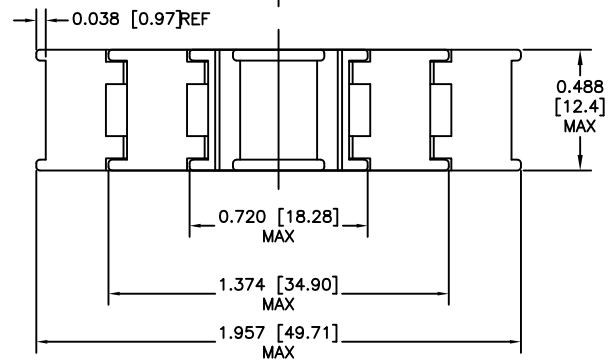
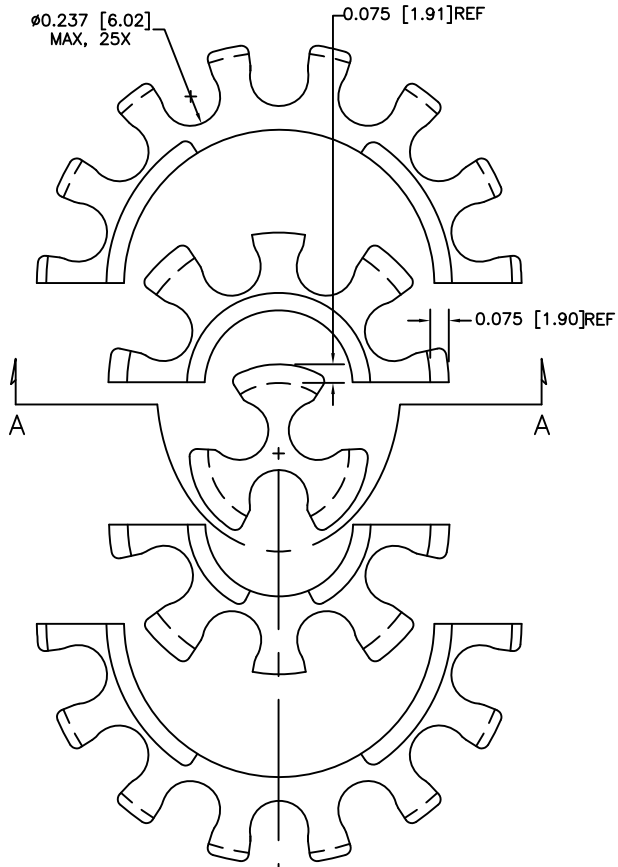
SIZE  
A

CAGE  
06090

SHEET  
4 OF 6

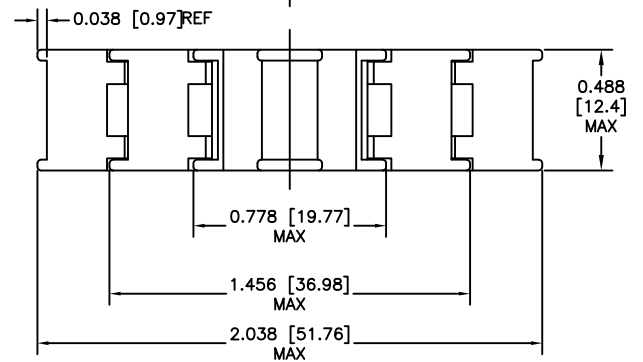
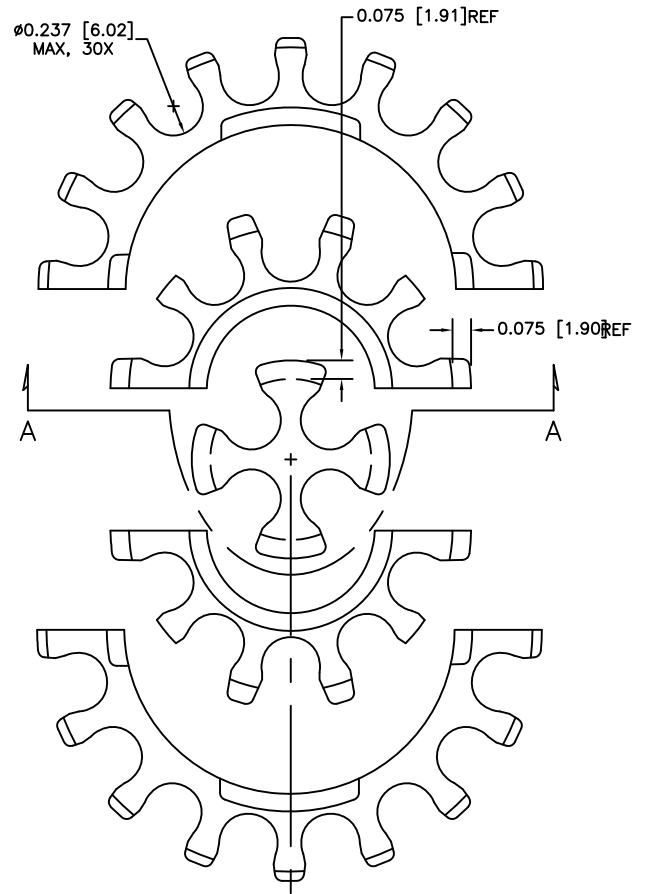
DWG. NO.  
FLX40-02X-XX

REV  
C



SECTION A-A

25 POSITION



SECTION A-A

30 POSITION

**Raychem Adapters  
CUSTOMER DRAWING**



DO NOT  
SCALE THIS  
DRAWING

SIZE  
A

CAGE  
**06090**

SHEET  
5 OF 6

DWG. NO.  
FLX40-02X-XX

REV  
C

## MATERIAL:

BASE METAL – ALUMINUM ALLOY 6061-T651 OR EN AW 2011-T3.

## PLATINGS:

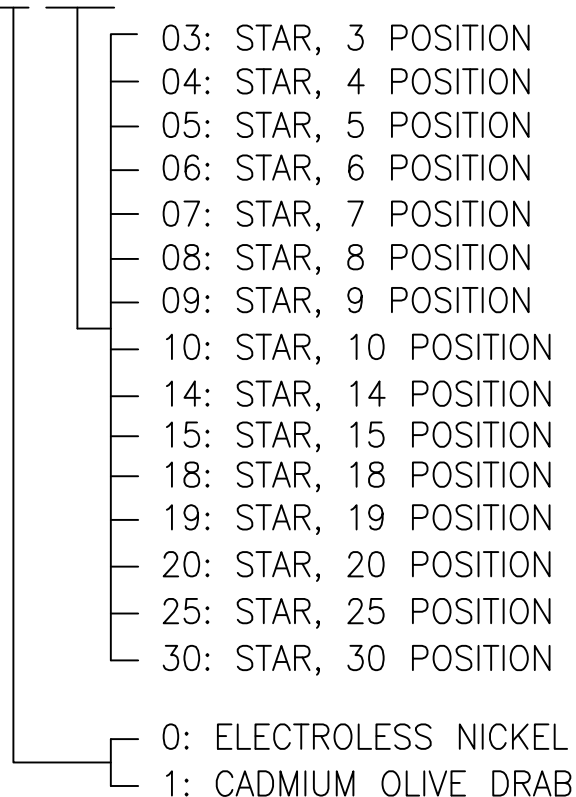
- ELECTROLESS NICKEL CONFORMING TO SAE AMS-C-26074, CLASS 4, GRADE C.
- CADMIUM OLIVE OLIVE DRAB CONFORMING TO SAE AMS-QQ-P-416 TYPE III, CLASS 3 (500 HOUR SALT SPRAY).

## APPLICATION:

1. THESE DEVICES ARE DESIGNED TO BE USED IN A HEXASHIELD-F EMI TERMINATION SYSTEM.

## PART NUMBERING:

**FLX40-02X-XX**



**Raychem Adapters  
 CUSTOMER DRAWING**



DO NOT  
SCALE THIS  
DRAWING

SIZE  
A

CAGE  
06090

SHEET  
6 OF 6

DWG. NO.

FLX40-02X-XX

REV  
C

## X-ON Electronics

Largest Supplier of Electrical and Electronic Components

*Click to view similar products for [Circular MIL Spec Strain Reliefs & Adapters](#) category:*

*Click to view products by [TE Connectivity](#) manufacturer:*

Other Similar products are found below :

[896227-000](#) [899170S004](#) [6000-063-0022](#) [613751-000](#) [CS6624-000](#) [620AB038Z136](#) [620AS001Z108](#) [620AS038Z112](#) [620AS038Z120](#)  
[620AS038Z132](#) [620FB038NF08](#) [620HA038NF13](#) [620HA038NF25](#) [620HA042XM13](#) [620HB049NF17](#) [620HS011NF21](#) [620HS038NF11](#)  
[620HS038Z121](#) [620HS042XM19](#) [620HS042XM25](#) [620HS042XW13](#) [620HS048B17](#) [620MS064NF09](#) [620MS064NF12](#) [620MS065M12](#)  
[620MS065Z107](#) [620MS065ZNU06](#) [630J041M06H](#) [630J041M20H](#) [637S010NF0212H](#) [640830-000](#) [659943-000](#) [66241-10A](#) [CW0597-000](#)  
[CW0598-000](#) [CW0948-000](#) [CY0122-000](#) [M85049/41-6A W/B](#) [M85049/42-12DS](#) [M85049/47N8](#) [M85049/47W18](#) [M85049/51-1-14S](#)  
[M85049/51-1-8W](#) [M85049/51S16S](#) [M85049/60-1N16](#) [M85049/60-2G12W](#) [M85049/69-11N](#) [CZ3661-000](#) [D02922-000](#) [70.360.1628.0](#)