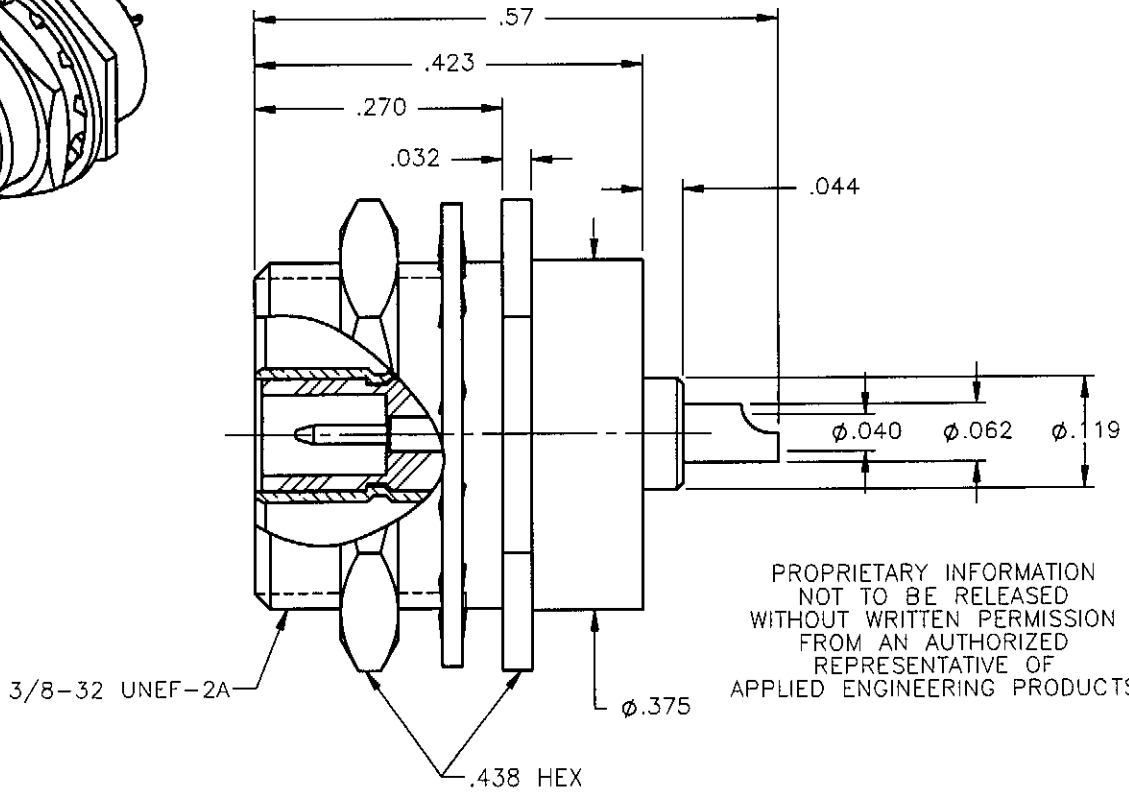
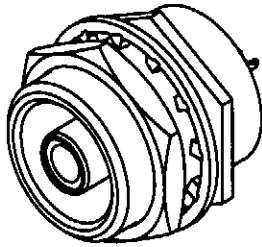


REVISIONS			
REV.	DESCRIPTION	DATE	APPROVED
A	INITIAL RELEASE	04/30/07	K.P.



PROPRIETARY INFORMATION
NOT TO BE RELEASED
WITHOUT WRITTEN PERMISSION
FROM AN AUTHORIZED
REPRESENTATIVE OF
APPLIED ENGINEERING PRODUCTS


NOTES:

MATERIALS:

1. INSULATOR = VIRGIN WHITE TEFLON PER ASTM D1710, GRADE 1, TYPE I, CLASS "B".
2. LOCKWASHER = PHOSPHOR BRONZE PER ASTM B139, COPPER ALLOY C53400, TEMPER H04.
3. ALL OTHER METAL PARTS = BRASS PER ASTM B16, ALLOY C36000, TEMPER H02.

FINISHES:

1. CONTACT = GOLD PLATE PER MIL-G-45204, TYPE II, CLASS 1, GRADE C, OVER .00010 TO .00020 STRESS FREE SULFAMATE NICKEL PER QQ-N-290.
2. ALL OTHER METAL PARTS = GOLD PLATE PER MIL-G-45204, TYPE II, CLASS 0, GRADE C, OVER .00010 TO .00020 COPPER STRIKE PER MIL-C-14550.

UNLESS OTHERWISE SPECIFIED DIMENSIONS ARE IN INCHES TOLERANCES ON		DWN: K.P.	DATE 04/30/07	 APPLIED ENGINEERING PRODUCTS 104 John W. Murphy Dr. New Haven, CT 06513
DECIMAL	ANGLE	CHKD: A.D.M.	DATE 04/30/07	
		APVD: J.M.	DATE 04/30/07	
REFERENCE: SK-1399-1 ORIGINATED: K.P. DATE: 04/30/07		MATERIALS & FINISHES: SEE NOTES		RECESSED SMB STRAIGHT MALE JACK BULKHEAD REAR MOUNT SOLDER POT RECEPTACLE
		SIZE A	FSCM NO. 19505	DWG NO. 2015-1511-000
		SCALE 5:1	THIRD ANGLE PROJECTION	
				REV A
				SHEET 1 OF 1

2015-1511-000

X-ON Electronics

Largest Supplier of Electrical and Electronic Components

Click to view similar products for [radiall](#) manufacturer:

Other Similar products are found below :

[F760858219](#) [R296701967](#) [8959-1511-004](#) [5919-1503-000](#) [5938-1503-000](#) [7101-1541-010](#) [7105-1561-010](#) [MD11-035](#) [81-6201-0450](#) [9074-9513-000](#) [9620-9003-151](#) [R113425097](#) [R114305000W](#) [R124075210](#) [R124175120](#) [R125055000](#) [R125512000W](#) [R141154000W](#) [R141572000](#) [R143012000](#) [R143235161W](#) [R166268000](#) [R176019000](#) [R191841001W](#) [R282102000](#) [R282744220](#) [R282918120](#) [R404770000](#) [R414430150](#) [R414520150](#) [R433514700](#) [R570022105](#) [R570123005](#) [R570363010](#) [R570442000](#) [R570E52010](#) [R574402410](#) [R577443000](#) [R585423230](#) [R114425000](#) [R124510000](#) [R125052500](#) [R125320020W](#) [R127.870.001](#) [R141331500W](#) [R162017000W](#) [R176404000](#) [R191970091](#) [R213665000](#) [R282120010](#)