

THIS DRAWING IS UNPUBLISHED.

RELEASED FOR PUBLICATION

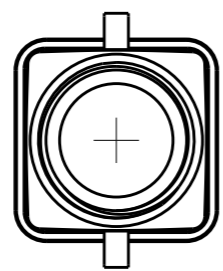
20

© COPYRIGHT 20 BY -

ALL RIGHTS RESERVED.

REVISIONS

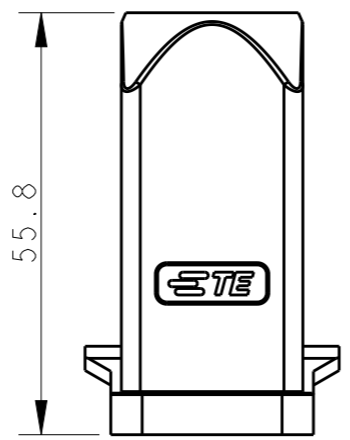
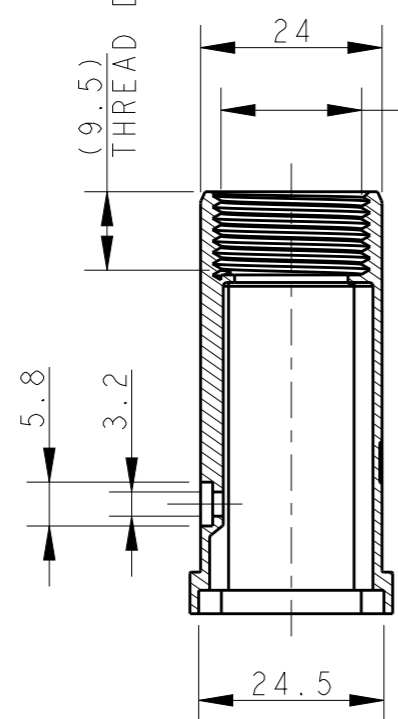
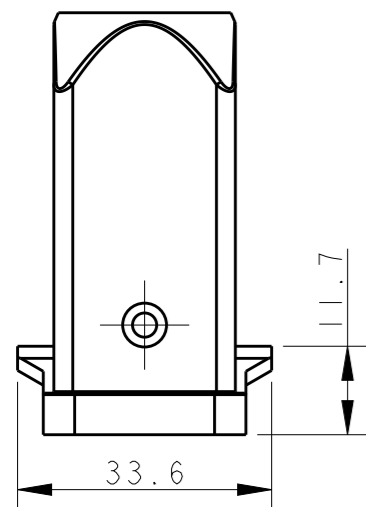
P	LTR	DESCRIPTION	DATE	DWN	APVD
	A	INITIAL RELEASE	04MAY2015	DL	CW
	AI	ECR-17-009215	24JUN2017	QY	CW



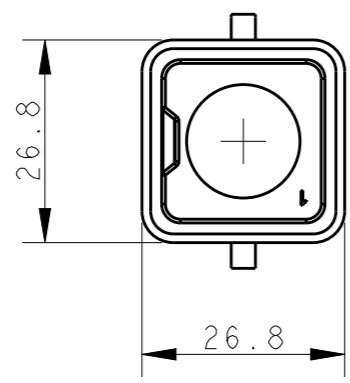
FOR "T1329034111-000"&"T1329036120-000"
 NEED TO BE COATED INSIDE AND OUTSIDE
 料号"T1329034111-000"&"T1329036120-000"需里外喷涂

NOTES:
 1. TECHNICAL CHARACTERISTICS:
 BODY MATERIAL: DIE CAST ZINC ALLOY
 SURFACE TREATMENT: SEE TABLE
 DEGREE OF PROTECTION: IP65 (MATED)

注释:
 1. 技术参数:
 主体材料: 锌合金
 表面处理: 见表格
 防护等级: IP65(配合)



PART NUMBER 料号	PART DESCRIPTION 描述	PG/M THREAD PG/M螺纹孔
T1329030111-000	H3A-MTG-PG11 H3A HOOD, TOP ENTRY PG11, 2 EAR, POWDER COATED, GREY H3A上壳, 顶出PG11, 2耳, 灰色粉末喷涂	PG11
T1329030120-000	H3A-MTG-M20 H3A HOOD, TOP ENTRY M20, 2 EAR, POWDER COATED, GREY H3A上壳, 顶出M20, 2耳, 灰色粉末喷涂	M20X1.5
T1329034111-000	H3A-MTG-PG11 H3A HOOD, TOP ENTRY PG11, 2 EAR, POWDER COATED WITH INSIDE AND OUTSIDE, GREY H3A上壳, 顶出PG11, 2耳, 灰色粉末里外喷涂	PG11
T1329036120-000	H3A-MTG-M20 H3A HOOD, TOP ENTRY M20, 2 EAR, POWDER COATED WITH INSIDE AND OUTSIDE, GREY H3A上壳, 顶出M20, 2耳, 灰色粉末里外喷涂	M20X1.5
T1329035111-100	H3A-MTG-EMC-PG11 H3A EMC HOOD, TOP ENTRY PG11, 2 EAR, Ni PLATED H3A屏蔽上壳, 顶出PG11, 2耳, 镀镍	PG11
T1329035120-100	H3A-MTG-EMC-M20 H3A EMC HOOD, TOP ENTRY M20, 2 EAR, Ni PLATED H3A屏蔽上壳, 顶出M20, 2耳, 镀镍	M20X1.5



THIS DRAWING IS A CONTROLLED DOCUMENT.

DWN 04MAY2015 DAVID LI
 CHK 04MAY2015 CHRIS WANG
 APVD 04MAY2015 XU XIANG

PRODUCT SPEC 108-137012
 APPLICATION SPEC 114-137012

WEIGHT -

CUSTOMER DRAWING

NAME H3A-MTG/MTG-EMC-PG/M

SIZE A3 CAGE CODE - DRAWING NO. C-T132903X1XXX00 RESTRICTED TO -

SCALE 1:1 SHEET 1 OF 1 REV AI

STE TE Connectivity

DIMENSIONS:	TOLERANCES UNLESS OTHERWISE SPECIFIED:
mm	
	0 PLC ±-
	1 PLC ±-
	2 PLC ±-
	3 PLC ±-
	4 PLC ±-
	ANGLES ±-
MATERIAL -	FINISH -

X-ON Electronics

Largest Supplier of Electrical and Electronic Components

Click to view similar products for [Heavy Duty Power Connectors](#) category:

Click to view products by [TE Connectivity](#) manufacturer:

Other Similar products are found below :

[1424439](#) [1424438](#) [09330062652](#) [2-8675P1](#) [580129-2](#) [605601-1](#) [6340G1](#) [6341G1](#) [6360G1](#) [6373G1](#) [6374g2](#) [6396G1](#) [647757-1](#) [66394-4](#)
[6643411-1](#) [6646058-2](#) [6646137-1](#) [6646138-1](#) [6646348-1](#) [6646479-1](#) [6646608-1](#) [6646786-1](#) [6646940-1](#) [6651091-1](#) [6651525-1](#) [6651529-1](#)
[6651778-1](#) [6651788-1](#) [696465-1](#) [696475-1](#) [73000005059](#) [73000005349](#) [73000005642](#) [73080255059](#) [73080965046](#) [765-15-0080A](#)
[765-16-0080B](#) [789.700-44](#) [789.700-54](#) [80-1010](#) [80-9](#) [827381-1](#) [829992-1](#) [902-77-02113](#) [PL00U-301-10D10](#) [PM103MOOLOO](#)
[PM16S1620S32-50](#) [PM212MOOLOO](#) [PM309FOOLOO](#) [PM324FOOLCH](#)